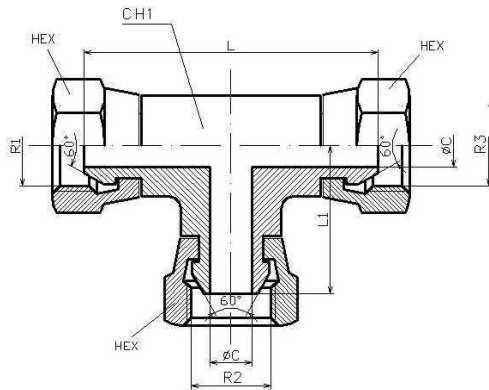


BSP Adaptors  
Forging Tees

## Tees BSP 60° swivel female

Stainless Steel AISI 316-L



Part n°	R1	R2	R3	L	L1	HEX 1	CH1	ØC
<b>XR1910400</b>	1/4" BSP	1/4" BSP	1/4" BSP	51,6	25,8	19	14	5
<b>XR1910600</b>	3/8" BSP	3/8" BSP	3/8" BSP	58	29	22	20	8
<b>XR1910800</b>	1/2" BSP	1/2" BSP	1/2" BSP	69	34,5	27	24	11
<b>XR1911200</b>	3/4" BSP	3/4" BSP	3/4" BSP	86,6	43,3	32	28	15
<b>XR1911600</b>	1" BSP	1" BSP	1" BSP	101	50,5	41	25	22
<b>XR1912000</b>	1"1/4 BSP	1"1/4 BSP	1"1/4 BSP	105,8	52,9	50	41	28
<b>XR1912400</b>	1"1/2 BSP	1"1/2 BSP	1"1/2 BSP	108	54	55	41	30