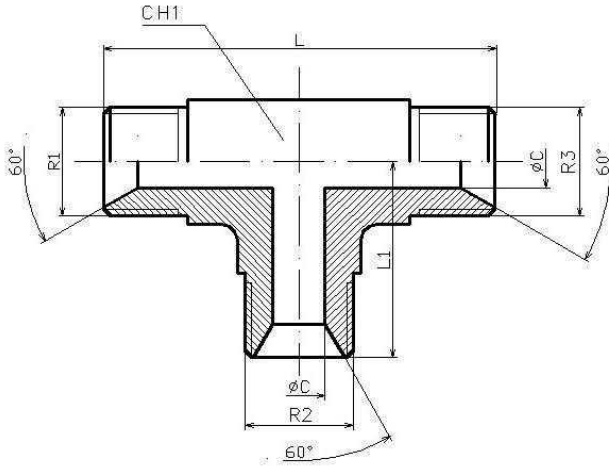


BSP Adaptors
Forging Tees

Tees BSP 60° male

Stainless Steel AISI 316-L



Part n°	R1	R2	R3	L	L1	CH1	ØC
XR1710400	1/4" BSP	1/4" BSP	1/4" BSP	50,8	25,4	14	5
XR1710600	3/8" BSP	3/8" BSP	3/8" BSP	50,8	25,4	20	8
XR1710800	1/2" BSP	1/2" BSP	1/2" BSP	61	30,5	24	11
XR1711200	3/4" BSP	3/4" BSP	3/4" BSP	76,2	38,1	28	16
XR1711600	1" BSP	1" BSP	1" BSP	89	44,5	36	22
XR1712000	1"1/4 BSP	1"1/4 BSP	1"1/4 BSP	101,6	50,8	41	28
XR1712400	1"1/2 BSP	1"1/2 BSP	1"1/2 BSP	108	54	41	30