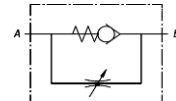
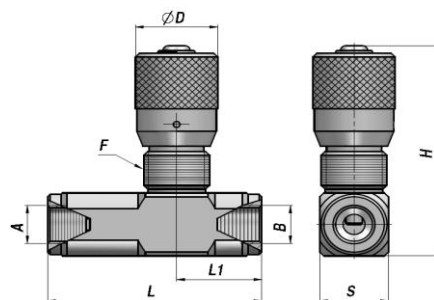
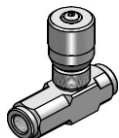


**VRFU 90**

**DRØVLEKONTRA VENTIL MED STILLESKRUE  
FLOW CONTROL VALVE ( POPPET TYPE )**



Varenr. Code	A BSP	B BSP	Q MAX l/min A > B	Q MAX l/min B > A	P MAX bar	Type	L	L1	ØD	F	H	S	kg
VSG521.100000	1/4"	1/4"	30	35	350	VRFU90 010	75	29	30	M25x1.5	82	25	0,40
VSG521.200000	3/8"	3/8"	40	50	350	VRFU90 020	78	31	30	M25x1.5	82	25	0,41
VSG521.300000	1/2"	1/2"	50	90	350	VRFU90 030	93	33.5	30	M25x1.5	88	30	0,58
VSG521.400000	3/4"	3/4"	80	140	320	VRFU90 040	110	41.5	42	M35x1.5	116	40	1,39
VSG521.500000	1"	1"	110	180	300	VRFU90 050	135	44.5	42	M35x1.5	116	40	1,36

RØRMONTERING  
LINE MOUNTING

MATERIALE - MATERIAL : STÅL - STEEL

1-VEJS JUSTERBAR  
UNIDIRECTIONAL