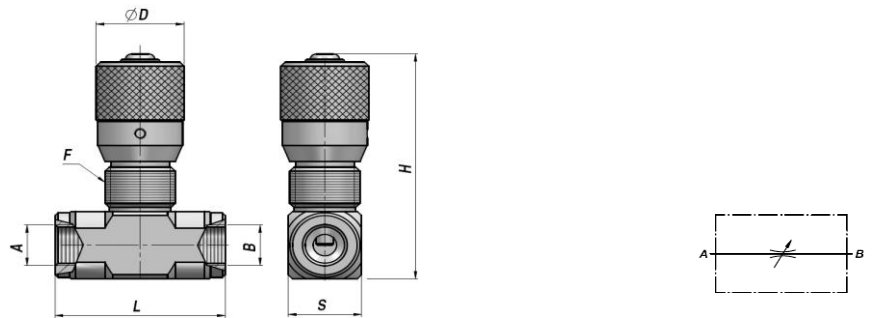
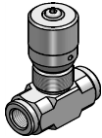


VRFB 90

**DRØVLE VENTIL MED STILLESKRUE
FLOW CONTROL VALVE**



Varenr. Code	A BSP	B BSP	Q MAX l/min	P MAX bar	Type	L	ØD	F	H	S	kg
VSG522.100000	1/4"	1/4"	30	350	VRFB90 010	58	30	M25x1.5	82	25	0,34
VSG522.200000	3/8"	3/8"	40	350	VRFB90 020	58	30	M25x1.5	82	25	0,34
VSG522.300000	1/2"	1/2"	50	350	VRFB90 030	64	30	M25x1.5	88	30	0,43
VSG522.400000	3/4"	3/4"	80	320	VRFB90 040	89	42	M35x1.5	116	40	1,13
VSG522.500000	1"	1"	110	300	VRFB90 050	89	42	M35x1.5	116	40	1,00

RØRMONTERING
LINE MOUNTING

MATERIALE - MATERIAL : STÅL - STEEL

2-VEJS JUSTERBAR
BIDIRECTIONAL