

VPR 3

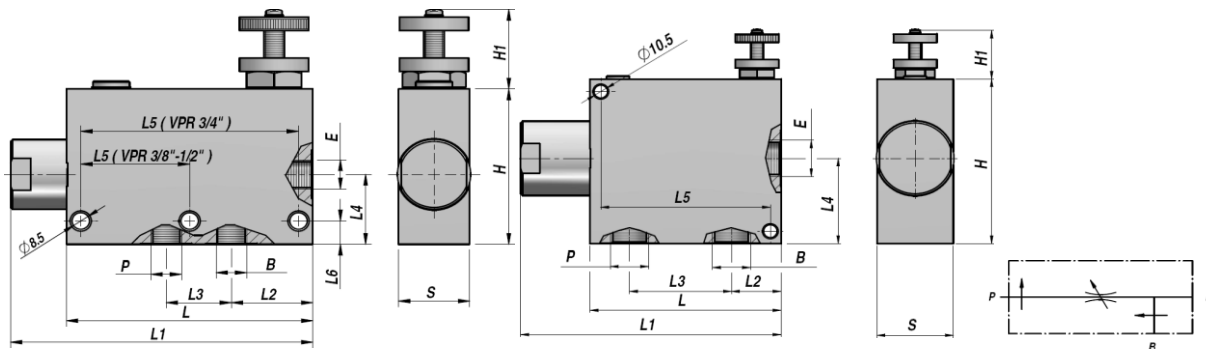
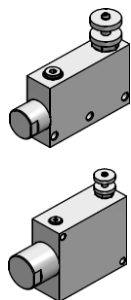
**TRYKKOMPENSERET PRIORITET DRØVLE VENTIL
PRIORITY FLOW CONTROL (PRESSURE COMPENSATED)**

Bemærk venligst / please note :

E: Pumpetryk / pump pressure

P: Udgang til motor / output to motor

B: Retur til tank el. ekstra forbrug / return to tank or extra flow



VPR3 3/8" - 1/2" - 3/4"

VPR3 1"

JUSTERBAR - ADJUSTABLE

REST OLIE TIL TRYK - EXCEEDING FLOW TO PRESSURE

Varenr. Code	E-P-B BSP	Q MAX l/min In (E) / Reg (P)	P MAX bar	Type	L	L1	L2	L3	L4	L5	L6	H1	H	S	kg
V3490.1060	3/8"	60 / 50	350	VPR 3 3/8"	121	147	40	32	36	55	12	35	80	35	2,53
V3490.1070	1/2"	80 / 60	350	VPR 3 1/2"	121	147	37	36	36	55	12	35	80	35	2,47
V3490.1080	3/4"	120/100	350	VPR 3 3/4"	155	187	50	44	37	115	10	35	90	50	4,96
V3490.1090	1"	200/170	350	VPR 3 1"	155	187	46	58	47	115	12	35	100	50	5,27

RØRMONTERING
LINE MOUNTING

MATERIALE - MATERIAL : STÅL - STEEL