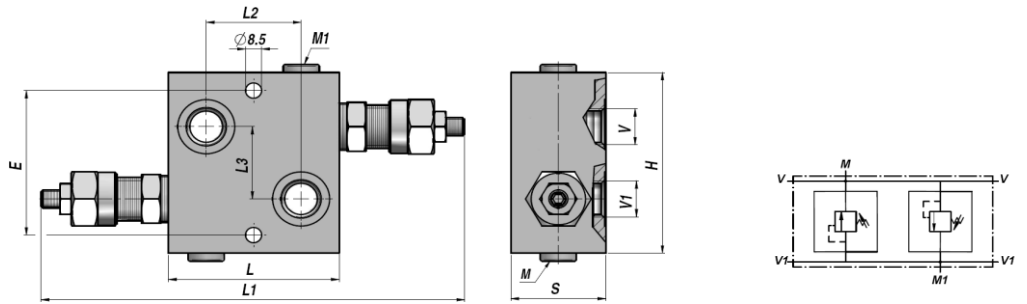
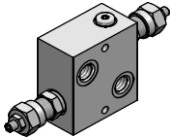


VMDI 80

DOBBELT CHOK VENTIL
DUAL CROSS-OVER RELIEF VALVE

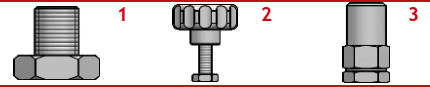


| Varenr. Code | V BSP | V1 BSP | M-M1 BSP | Q MAX l/min | P MAX bar | Type | L | L1 max | L2 | L3 | E | H | S | kg |
|-----------------|----------|-----------|-------------|-------------------|-----------------|-----------------|----|-----------|----|----|----|-----|----|------|
| VAG021.0830B1 | 1/2" | 1/2" | 1/4" | 80 | 260 | VMDI A80-030-B1 | 90 | 240 | 50 | 40 | 80 | 100 | 50 | 1,65 |
| VAG021.0840B1 | 3/4" | 3/4" | 1/4" | 80 | 260 | VMDI A80-040-B1 | 90 | 240 | 50 | 40 | 80 | 100 | 50 | 1,60 |

FJEDER - SPRING : A=5:50 - B=20:260bar(Standard) - C=120:350

INDSTILLING
SETTING

1 = Skrue - Screw (Standard)
2 = Fingerskrue - Knob
3 = Skrue+besk.kappe - Screw+protection cup



RØRMONTERING
LINE MOUNTING

MATERIALE - MATERIAL : ALUMINIUM