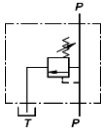
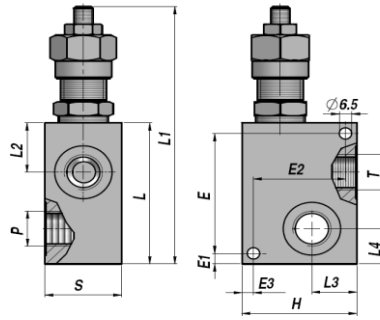
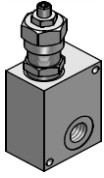


VMD 80

OVERTRK VENTIL  
RELIEF VALVE

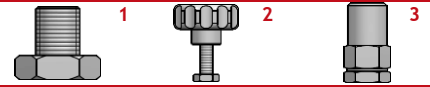


Varenr. Code	P BSP	T BSP	Q MAX l/min	P MAX bar	Type	L	L1 max	L2	L3	L4	E	E1	E2	E3	H	S	kg
VAG002.0830B1	1/2"	1/2"	80	260	VMD A80-030-B1	80	157	28	24	20	68	6	48	6	60	40	0,72
VAG002.0840B1	3/4"	3/4"	80	260	VMD A80-040-B1	80	157	28	24	20	68	6	48	6	60	40	0,70

FJEDER - SPRING: A=5:50 - B=20:260bar(Standard) - C=120:350

INDSTILLING  
SETTING

1 = Skruer - Screw (Standard)  
2 = Fingerskruer - Knob  
3 = Skruer+besk.kappe - Screw+protection cup



RØRMONTERING  
LINE MOUNTING

MATERIALE - MATERIAL : ALUMINIUM