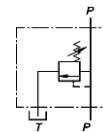
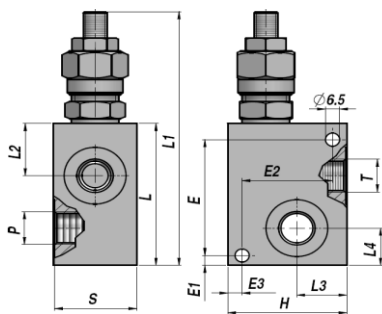
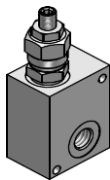


VMD 35

OVERTRYK VENTIL
RELIEF VALVE

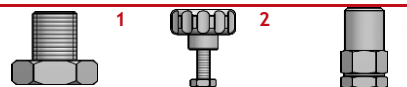


Varenr. Code	P BSP	T BSP	Q MAX l/min	P MAX bar	Type	L	L1 max	L2	L3	L4	E	E1	E2	E3	H	S	kg
VAG002.0320B1	3/8"	3/8"	35	350	VMD A35-020-B1	65	129	24	20	17	53	5	34	6	50	35	0.40
VAG002.0330B1	1/2"	1/2"	35	350	VMD A35-030-B1	65	129	24	20	17	53	5	34	6	50	35	0.39

FJEDER - SPRING : A= 5:50bar - B=40:210bar(Standard) - C=100:350bar

INDSTILLING
SETTING

1 = Skrue - Screw (Standard)
2 = Fingerskrue - Knob
3 = Skrue+besk.kappe - Screw+protection cup



RØRMONTERING
LINE MOUNTING

MATERIALE - MATERIAL : ALUMINIUM