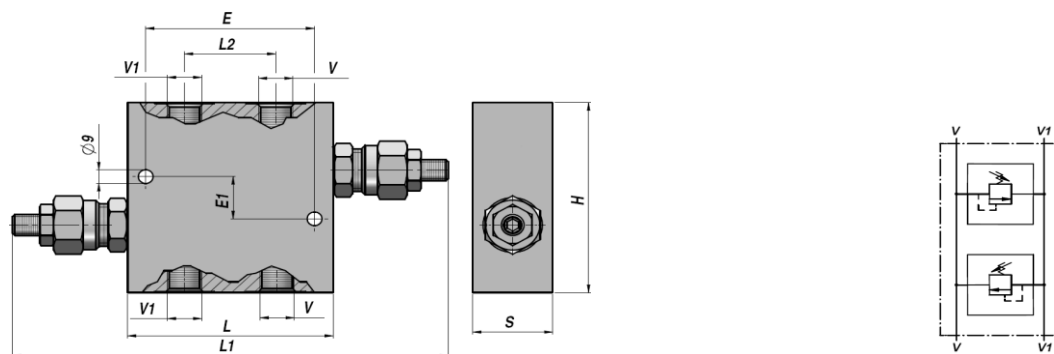
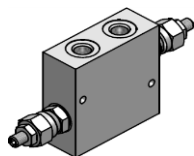


VBDC 35

**DOBBELT CHOK VENTIL
DUAL CROSS-OVER RELIEF VALVE**

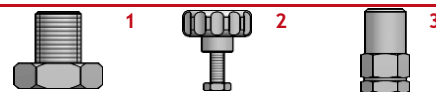


Varenr. Code	V BSP	V1 BSP	Q MAX l/min	P MAX bar	Type	L	L1	L2	E	E1	H	S	kg
VAG022.0320B1	3/8"	3/8"	35	350	VBDC A35-020-B1	90	218	40	74	20	90	35	0.80
VAG022.0330B1	1/2"	1/2"	35	350	VBDC A35-030-B1	90	218	40	74	20	90	35	0.80

FJEDER - SPRING : A= 5:50bar - B=40:210bar(Standard) - C=100:350bar

INDSTILLING
SETTING

1 = Skrue - Screw (Standard)
2 = Fingerskrue - Knob
3 = Skrue+besk.kappe - Screw+protection cup



RØRMONTERING
LINE MOUNTING

MATERIALE - MATERIAL : ALUMINIUM