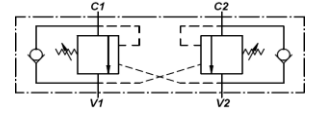
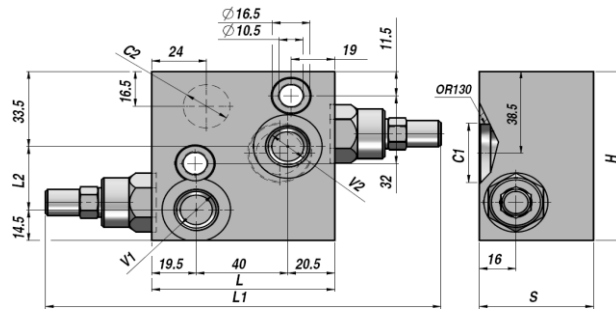
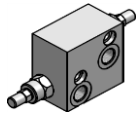


VBCDF-DE (MS)

**DOBBELT VIRKENDE
DOUBLE ACTING**

**OVERCENTER VENTIL FOR MS MOTORER (OMS)
OVERCENTER VALVE FOR MOTORS MS (OMS)**



Varenr. Code	V1-V2 BSP	C1-C2	Q MAX l/min	P MAX bar	PILOT RATIO	Type	L	L1	L2	H	S	kg
V2290.F426	1/2"	Ø9	50	350	1:4.5	VBCDF-DE 1/2"-S	80	170	30	80	50	2,15

PÅ FORESPØRGSEL - ON REQUEST : VBCDF/SF-DE ... MED BREMSE UDLØSNINGSPORT - WITH BRAKE RELEASE PORT

FLANGE MONTERING

FACE MOUNTING

MATERIALE - MATERIAL : STÅL - STEEL