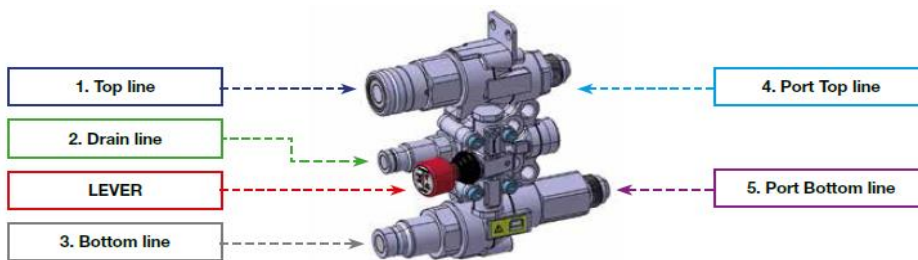


Vejledning / How it works:

- 1: Træk i håndtaget / Pull the lever
- 2: Pres op for at fjerne tryk på den øvre linie / Push up to release the pressure on the upper line
- 2: Pres ned for at fjerne tryk på den nedre linie / Push down to release the pressure on the lower line

SÅDAN BESTILLES SATURN, PRODUKT DEFINITION
HOW TO ORDER, PRODUCT DEFINITION



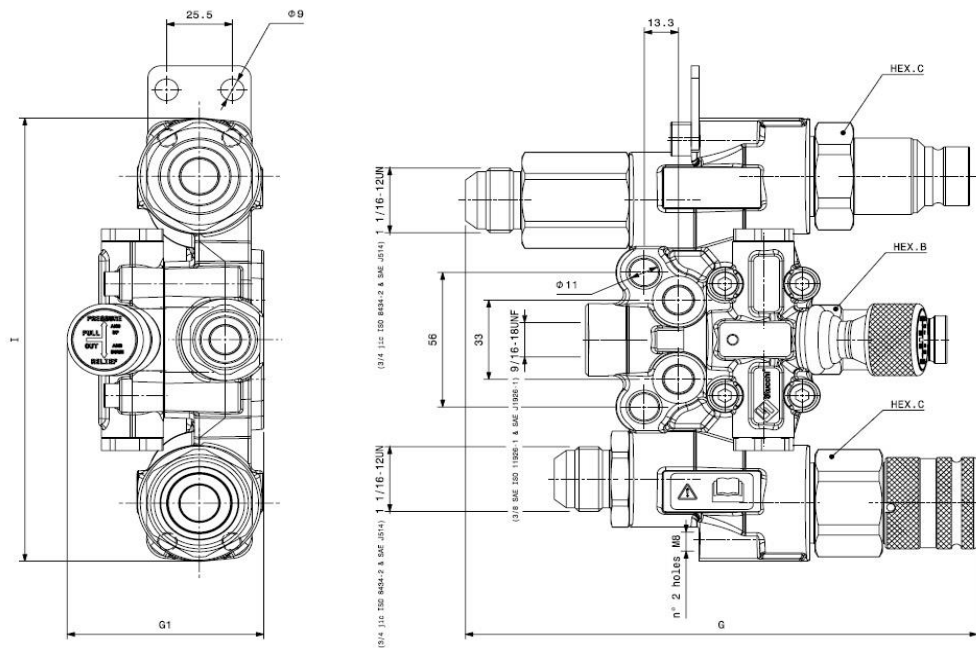
Varenr. / Code	Betegnelse Description	Håndtag Lever	Top line	Drain line	Bottom line	adaptor Top line	adaptor Bottom line
808800102ST	SATURN CASTING MF13-M9	LEFT	MALE DN13 1/2"	MALE DN9 3/8"	FEMALE DN13 1/2"	3/4" JIC	3/4" JIC
808800103ST	SATURN CASTING MF15-M9	LEFT	MALE DN15 5/8"	MALE DN9 3/8"	FEMALE DN15 5/8"	3/4" JIC	3/4" JIC
808800104ST	SATURN CASTING MF17-M13	LEFT	MALE DN17 3/4"	MALE DN13 1/2"	FEMALE DN17 3/4"	3/4" JIC	3/4" JIC
808800105ST	SATURN CASTING MF17-M9	LEFT	MALE DN17 3/4"	MALE DN9 3/8"	FEMALE DN17 3/4"	3/4" JIC	3/4" JIC
808800106ST	SATURN CASTING SX MF17-M9	RIGHT	MALE DN17 3/4"	MALE DN9 3/8"	FEMALE DN17 3/4"	3/4" SAE	3/4" SAE
808800107ST	SATURN CASTING SX MF13-PLUG	RIGHT	MALE DN13 1/2"	PLUGGED	FEMALE DN13 1/2"	3/4" SAE	3/4" SAE
808800108ST	SATURN CASTING SX MF13-M9 ADAPT.	RIGHT	MALE DN13 1/2"	MALE DN9 3/8"	FEMALE DN13 1/2"	3/4" JIC	3/4" JIC
808800109ST	SATURN 1 MF13-M13	LEFT	MALE DN13 1/2"	MALE DN13 1/2"	FEMALE DN13 1/2"	3/4" SAE	3/4" SAE

Standard tætninger - Standard seals: NBR (Nitrile)
Arbejdstemperatur - Working temperature: -20° C til/ to 100° C

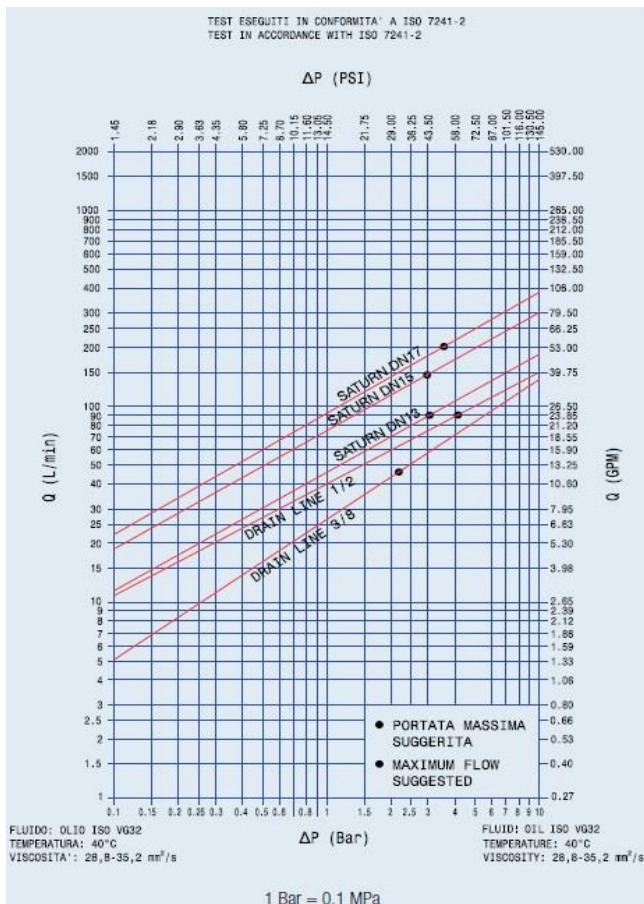
Betegnelse Description	Size Inch	Max. Flow		Spillage * ml
		l/min	GPM	
SATURN DN13	1/2"	90	23.85	0.02
SATURN DN15	5/8"	148	39.22	0.03
SATURN DN17	3/4"	200	53	0.03

Betegnelse Description	Max. operating pressure						Max. residual pressure			
	Coupled		Male		Female		Male		Female	
	MPa	psi	MPa	psi	MPa	psi	MPa	psi	MPa	psi
SATURN DN13	35	5075	33	4785	33	4785	126	18270	48	6960
SATURN DN15	35	5075	33	4785	33	4785	120	17400	48	6960
SATURN DN17	35	5075	33	4785	33	4785	100	14500	40	5800
							88	12760	40	5800

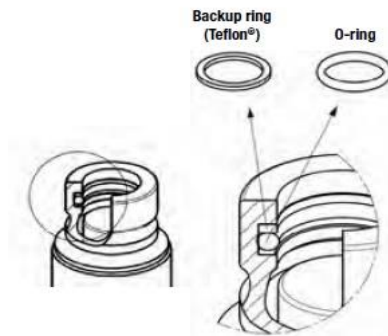
* Spillage is an indicative value of the fluid loss during disconnection.



Betegnelse Description	B	C	mm			Vægt Weight
SATURN DN13	27	41	196.8	76	184	4.31
SATURN DN15	27	41	203.7	76	184	4.44
SATURN DN17	32	46	224	76	184	5.05



**SEAL KIT FOR "FIRG" HAN
SEAL KIT FOR "FIRG" MALE**



Varenr. Code	Size	Betegnelse Description
815700337ST	3/8"	M A9 (drain line)
815700339ST	1/2"	MALE DN13
815700341ST	5/8"	MALE DN15
815700343ST	3/4"	MALE DN17