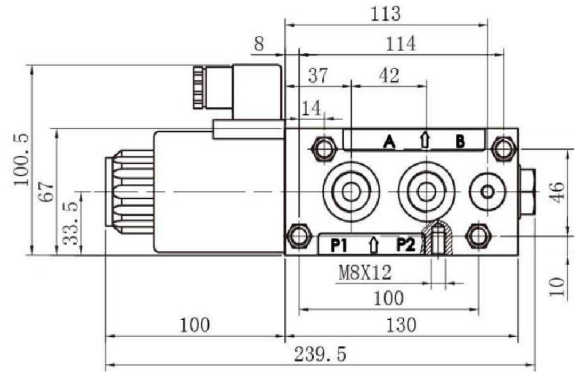
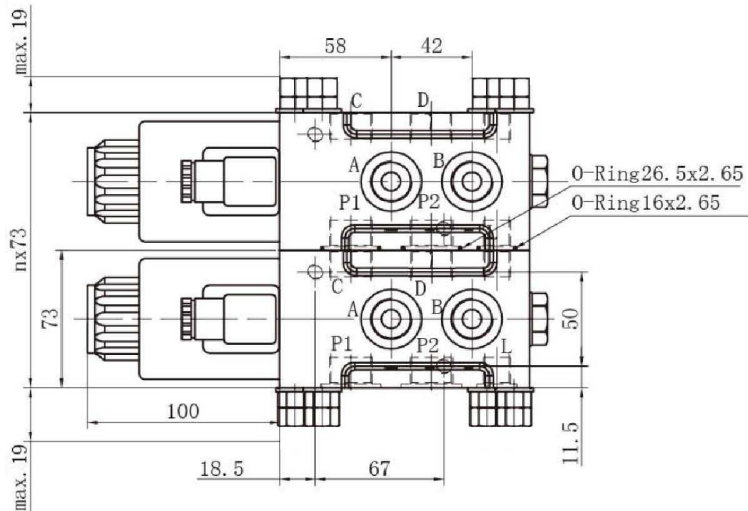
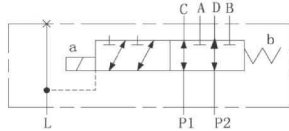


# Hydra-Comp

Diverter valves  
Stackable diverter valve, 6 ways, 1/2 DC



**Material:** Body is molten made

**Torque to tight the nucleus:** 22-24 Nm

**Assembly torque:** 20 Nm

Part n°	R1	N° ways	Voltage (V)	Max. flow (l/min)	Max. Press. (bar)	N° of elements	Ø nucleus
SA6V1212CC-1	1/2" BSP	6	12VDC	80	250	1	31
SA6V1224CC-1	1/2" BSP	6	24VDC	80	250	1	31