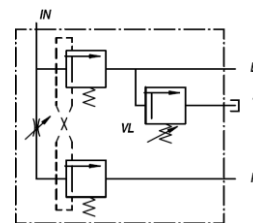
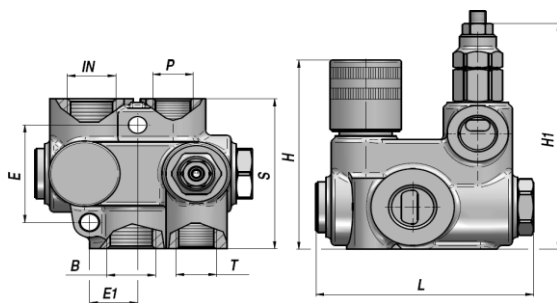
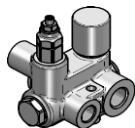


**VENTILER - FLOW CONTROL VALVES**

**RFPV .. G**

**TRYKKOMPENSERET PRIORITET DRØVLE VENTIL  
PRIORITY FLOW CONTROL (PRESSURE COMPENSATED)**



**JUSTERBAR - ADJUSTABLE**

**REST OLIE TIL TRYK - EXCEEDING FLOW TO PRESSURE**

Varenr. Code	IN - B BSP	P - T BSP	Q MAX l/min IN	Q MAX l/min P	P MAX bar	Type	L	E	E1	H1	H	S	kg
V6215.0321	1/2"	3/8"	40	40	250	RFPV 40 GU	92	46	22,5	105	98	65	1,54
V6215.0323	3/4"	1/2"	80	80	250	RFPV 70 GU	110	52	24,5	125	103	80	2,04

FJEDER - SPRING: X= 10:100bar - U=50:230bar(Standard) - K=100:250bar

RØRMONTERING

LINE MOUNTING

MATERIALE - MATERIAL : STØBEJERN - CAST IRON