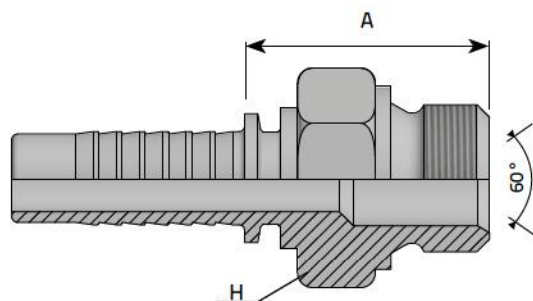


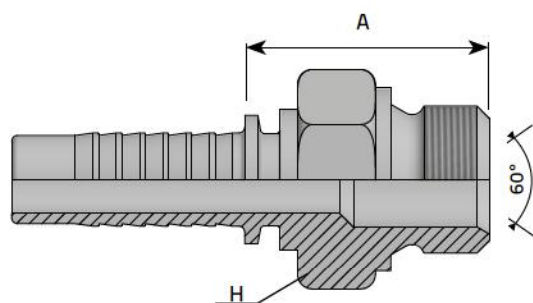
## BSPP MALE - 60° CONE (1)



MASCHIO BSPP SV 60°  
 MÂLE BSPP CÔNE 60°  
 AGR 60° INNENKONUS (BSPP GEWINDE)  
 MACHO FIJO BSPP CONO 60°

Code	Tube		Thread			Dimensions		Pressure	
	D.N.	Hose	Diam	T	t/1"	H	A	Bar	Psi
	Inch		mm	Inch		mm	mm		
MG0302	-3	3/16"	4.8	1/8"	28	14	20.5	350	5076
MG0304	-3	3/16"	4.8	1/4"	19	19	26	415	6019
MG0402	-4	1/4"	6.4	1/8"	28	14	20.5	350	5076
MG0404	-4	1/4"	6.4	1/4"	19	19	27	450	6526
MG0406	-4	1/4"	6.4	3/8"	19	22	29	450	6526
MG0408	-4	1/4"	6.4	1/2"	14	27	32	450	6526
MG0504	-5	5/16"	7.9	1/4"	19	19	27	350	5076
MG0506	-5	5/16"	7.9	3/8"	19	22	29	350	5076
MG0508	-5	5/16"	7.9	1/2"	14	27	32	350	5076
MG0604	-6	3/8"	9.5	1/4"	19	19	27	450	6526
MG0606	-6	3/8"	9.5	3/8"	19	22	29	450	6526
MG0608	-6	3/8"	9.5	1/2"	14	27	32	450	6526
MG0806	-8	1/2"	12.8	3/8"	19	22	29	415	6019
MG0808	-8	1/2"	12.8	1/2"	14	27	33	415	6019
MG0810	-8	1/2"	12.8	5/8"	14	30	34.5	415	6019
MG0812	-8	1/2"	12.8	3/4"	14	32	36	415	6019
MG1008	-10	5/8"	16	1/2"	14	27	33	350	5076
MG1010	-10	5/8"	16	5/8"	14	30	34.5	350	5076

## BSPP MALE- 60° CONE (2)



MASCHIO BSPP SV 60°  
 MÂLE BSPP CÔNE 60°  
 AGR 60° INNENKONUS (BSPP GEWINDE)  
 MACHO FIJO BSPP CONO 60°

Code	Tube		Thread			Dimensions		Pressure	
	D.N.	Hose	Diam	T	t/1"	H	A	Bar	Psi
	Inch	mm	Inch		mm	mm			
MG1012	-10	5/8"	16	3/4"	14	32	36	350	5076
MG1016	-10	5/8"	16	1"	11	38	40	350	5076
MG1208	-12	3/4"	19	1/2"	14	27	34	350	5076
MG1210	-12	3/4"	19	5/8"	14	30	36	350	5076
MG1212	-12	3/4"	19	3/4"	14	32	37	350	5076
MG1216	-12	3/4"	19	1"	11	38	40	350	5076
MG1612	-16	1"	25.4	3/4"	14	32	38	280	4061
MG1616	-16	1"	25.4	1"	11	38	40	280	4061
MG1620	-16	1"	25.4	1.1/4"	11	50	45	280	4061
MG2020	-20	1.1/4"	31.8	1.1/4"	11	50	46	210	3046
MG2024	-20	1.1/4"	31.8	1.1/2"	11	55	46	210	3046
MG2424	-24	1.1/2"	38.1	1.1/2"	11	55	46	185	2683
MG2432	-24	1.1/2"	38.1	2"	11	70	53	185	2683
MG3232	-32	2"	50.8	2"	11	70	54	165	2393