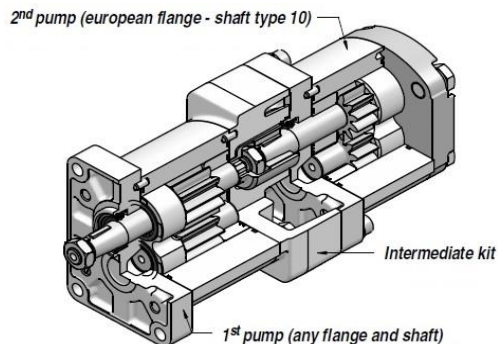


TANDHJULSPUMPER OG FLANGER - GEAR PUMPS AND CONNECTORS

MULTI GEAR PUMPER MULTIPLE GEAR PUMP

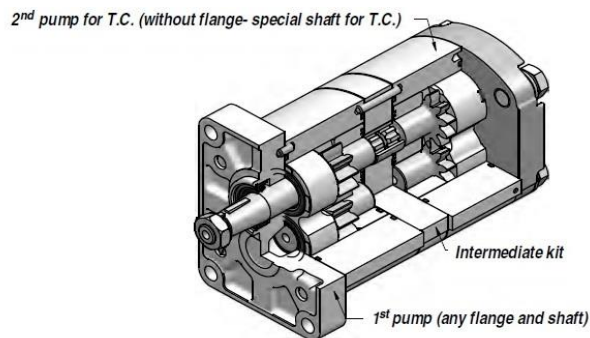
PS ... TS

**STANDARD TANDEM
STANDARD TANDEM**



PS ... TC

**KORT TANDEM (T.C.)
SHORT TANDEM (T.C.)**



Summen af momenterne som absorberes af hver eneste pumpe må ikke overskride max momentet tilladt af den primære pumpe.
Max momentet som absorberes af midterste og bagerste pumper må ikke overskride momentet tilladt af den foregående pumpe.
Se tabellen.

The sum of the torques absorbed by each single pump must not exceed the max torque permitted on the primary gear pump.
The max torque absorbed by the intermediate and final pumps must not exceed the torque permitted by the tow of the preceding pump.
See table.

	Tilladt aksel moment Permissible shaft torque									Torque transmitted by rear draft.
	Aksel - Shaft									
	Type 10	Type 11	Type 12	Type 13	Type 14	Type 15	Type 16	Type 17	Type 18	
	Nm									
GR 1	18	18		30	30	30		12	12	18
GR 2	98	98	98	98	98	98	98	70	70	75
GR 3	240			240	240					240

Dobbel eller flere tandem gear pumper er tilgængelige som: STANDARD, T.C. and T.C. (SHORT TANDEM).

The two-staged or more tandem (or multiple) gear pumps are available as: STANDARD, T.C. and T.C. (SHORT TANDEM).

Standard Tandem

Sugeport på hver eneste pumpeelement.

Standard Tandem

The suction of each single pump of the tandem is independent.

T.C.

Mindre dimensioner end standard typen.

T.C.

Smaller dimensions than the standard type.

Short Tandem (T.C.)

Mindre dimensioner end standard typen.

Sugeporten på hver pumpe er forbundet med hinanden.

Short Tandem (T.C.)

Smaller dimensions than the standard type.

The suctions of each pump are connected with each other.

The T.C. (short tandem) requires a single tank.

PGKIT

**TANDEM KIT FOR MULTI GEAR PUMPE
ASSEMBLING KIT FOR MULTIPLE GEAR PUMP**

1. pumpe 1st pump	2. + (...3..) pumpe - 2nd (...3rd..) pump		
	3	2	1
1			PGKIT0109110000 PGKIT0109110100
2		PGKIT0109220000 PGKIT0109220100 *	PGKIT0109211000 PGKIT0109210100
3	PGKIT010G330000 PGKIT0109331000	PGKIT010G320000 PGKIT0109321000	PGKIT010G310000 PGKIT010G310100

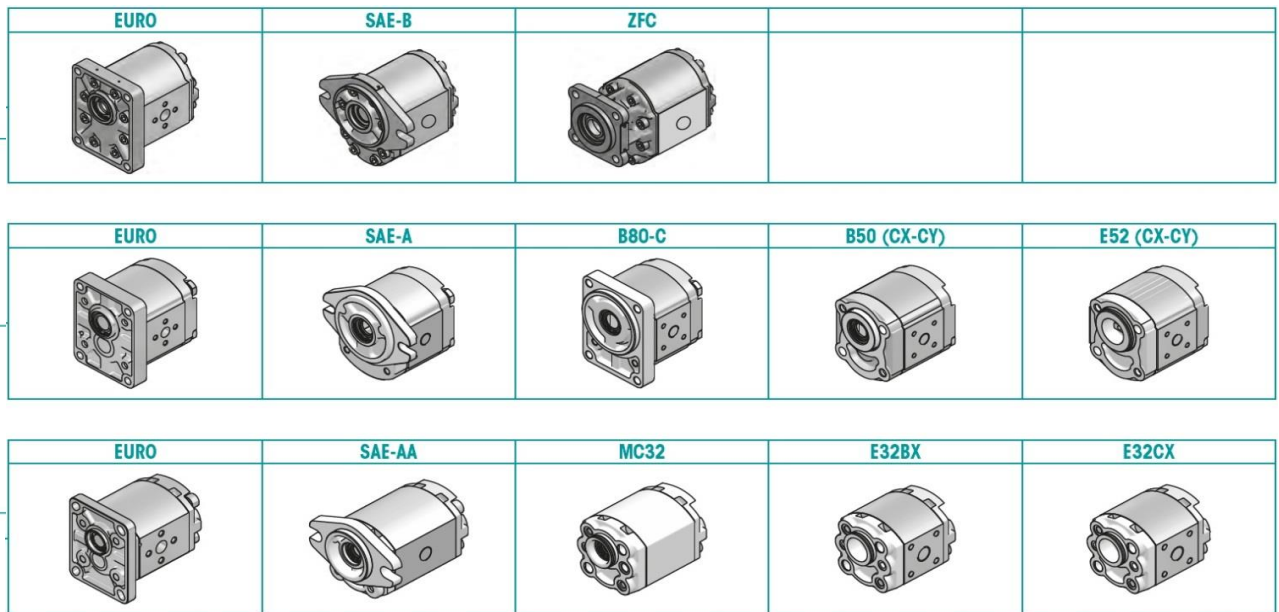


STANDARD Tandem

SHORT Tandem

*= Stavbolt ikke inkluderet (se tabellen nedenfor)

*= Tie rods not included (see table below)



PGKT

**UNIVERSAL STAVBOLT FOR SAMLING AF KORT TANDEM PUMPE
UNIVERSAL TIE ROD AND NUT FOR ASSEMBLING SHORT TANDEM PUMP**

1. pumpe 1st pump	2. + (...3..4.) pumpe - 2nd (...3rd..4th) pump					
	+1	+1 +1	+1 +1 +1	+2	+2 +2	+2 +2 +2
1	PGKT1024309069 CDA0000800	PGKT1024329079 CDA0000800	PGKT1024312539 CDA0000800			
2				PGKT1024303749 CDA0001015	PGKT1024301829 CDA0001015	PGKT1024305389 CDA0001015

4 stk. af ovenstående varenumre skal der bruges til hver PGKIT

4 pcs. of each above codes need to be ordered for each PGKIT