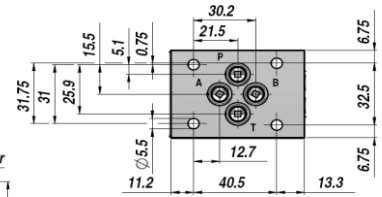
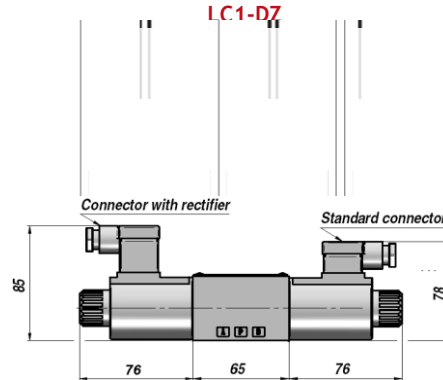
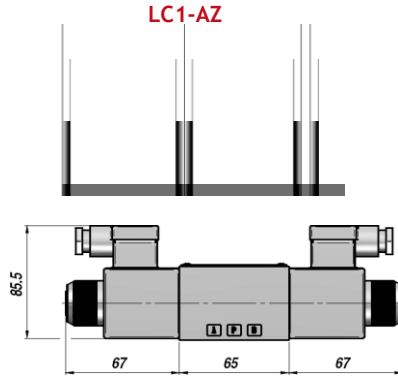
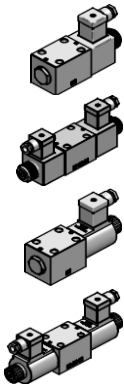


LC1

CETOP 3

CETOP 3 EL STYRE VENTIL
SOLENOID OPERATED DIRECTIONAL VALVE



Varenr. Code	Type	Spænding Voltage	Hydraulik symbol Hydraulic Symbol	Q MAX l/min	P MAX bar	kg
EL10A02002450	LC1-A201 AZ	24/50VAC	OMLØB I MIDT	60	250	1,66
EL10A02011050	LC1-A201 AZ	110/50VAC		"	"	1,66
EL10A02022050	LC1-A201 AZ	220/50VAC		"	"	1,66
EL10A02012VDC	LC1-A201 DZ	12VDC	A201	70	310	1,82
EL10A02024VDC	LC1-A201 DZ	24VDC	(ex A2)	"	"	1,82
EL10B02002450	LC1-B201 AZ	24/50VAC	P&T LUKKET I MIDT	60	250	1,66
EL10B02011050	LC1-B201 AZ	110/50VAC		"	"	1,66
EL10B02022050	LC1-B201 AZ	220/50VAC		"	"	1,66
EL10B02012VDC	LC1-B201 DZ	12VDC	B201	70	310	1,82
EL10B02024VDC	LC1-B201 DZ	24VDC	(ex B2)	"	"	1,82
EL10C02002450	LC1-C201 AZ	24/50VAC	ÅBEN I MIDT	60	250	1,66
EL10C02011050	LC1-C201 AZ	110/50VAC		"	"	1,66
EL10C02022050	LC1-C201 AZ	220/50VAC		"	"	1,66
EL10C02012VDC	LC1-C201 DZ	12VDC	C201	70	310	1,82
EL10C02024VDC	LC1-C201 DZ	24VDC	(ex C2)	"	"	1,82
EL10E02002450	LC1-E201 AZ	24/50VAC	M/FLYDESTILLING	60	250	1,66
EL10E02011050	LC1-E201 AZ	110/50VAC		"	"	1,66
EL10E02022050	LC1-E201 AZ	220/50VAC		"	"	1,66
EL10E02012VDC	LC1-E201 DZ	12VDC	E201	70	310	1,82
EL10E02024VDC	LC1-E201 DZ	24VDC	(ex E2)	"	"	1,82
EL10A11S02450	LC1-A301 AZ	24/50VAC	OMLØB I MIDT	60	250	1,25
EL10A11S11050	LC1-A301 AZ	110/50VAC		"	"	1,25
EL10A11S22050	LC1-A301 AZ	220/50VAC		"	"	1,25
EL10A11S12VDC	LC1-A301 DZ	12VDC	A301	70	310	1,33
EL10A11S24VDC	LC1-A301 DZ	24VDC	(ex A11S)	"	"	1,33
EL10A11C02450	LC1-Y301 AZ	24/50VAC	FREMLØB I MIDT	60	250	1,25
EL10A11C11050	LC1-Y301 AZ	110/50VAC		"	"	1,25
EL10A11C22050	LC1-Y301 AZ	220/50VAC		"	"	1,25
EL10A11C12VDC	LC1-Y301 DZ	12VDC	Y301	70	310	1,33
EL10A11C24VDC	LC1-Y301 DZ	24VDC	(ex A11C)	"	"	1,33
EL10B11C02450	LC1-B301 AZ	24/50VAC	P&T LUKKET I MIDT	60	250	1,25
EL10B11C11050	LC1-B301 AZ	110/50VAC		"	"	1,25
EL10B11C22050	LC1-B301 AZ	220/50VAC		"	"	1,25
EL10B11C12VDC	LC1-B301 DZ	12VDC	B301	70	310	1,33
EL10B11C24VDC	LC1-B301 DZ	24VDC	(ex B11C)	"	"	1,33
EL10C11A02450	LC1-C301 AZ	24/50VAC	ÅBEN I MIDT	60	250	1,25
EL10C11A11050	LC1-C301 AZ	110/50VAC		"	"	1,25
EL10C11A22050	LC1-C301 AZ	220/50VAC		"	"	1,25
EL10C11A12VDC	LC1-C301 DZ	12VDC	C301	70	310	1,33
EL10C11A24VDC	LC1-C301 DZ	24VDC	(ex C11A)	"	"	1,33

PÅ FORESPØRGSEL - ON REQUEST : EL STYREVENTILER - SOLENOID DIRECTIONAL VALVES TYPE LC0,4 (Cetop 2)