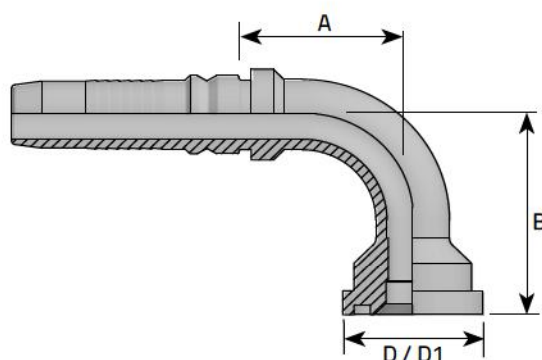


INTERLOCK FLANGE CODE 62 - 6000 PSI - 90° ELBOW



FLANGIA DIRITTA SAE J518 6000 PSI INTERA
 BRIDE 90° 6000 PSI (PIÈCE ENTIER)
 90° FLANSCHANSCHLUSS 6000 PSI – EINTEILIG
 BRIDA A 90° 6000 PSI (PIEZA UNICA)

Do Not Include O-Ring / O-Ring Non Compresso /
 Sans O-Ring / Ohne O-Ring/ Sin O-Ring

Code	Tube			Thread	Dimensions				Pressure	
	D.N.	Hose	Diam		D	D1	B	A	Bar	Psi
		Inch	mm		Inch	mm	mm	mm		
KF90P1212I	-12	3/4"	19		3/4"	41.3	62	54.7	420	6091
KF90P1216I	-12	3/4"	19		1"	47.6	67	54.7	420	6091
KF90P1612I	-16	1"	25.4		3/4"	41.3	64	74.6	415	6019
KF90P1616I	-16	1"	25.4		1"	47.6	69	70.6	415	6019
KF90P1620I	-16	1"	25.4		1.1/4"	54	76	74.6	415	6019
KF90P2020I	-20	1.1/4"	31.8		1.1/4"	54	93	87.7	415	6019
KF90P2024I	-20	1.1/4"	31.8		1.1/2"	63.5	97	87.7	415	6019
KF90P2424I	-24	1.1/2"	38.1		1.1/2"	63.5	111	99.5	345	5004
KF90P2432I	-24	1.1/2"	38.1		2"	79.4	128	110	345	5004
KF90P3232I	-32	2"	50.8		2"	79.4	128	144	345	5004