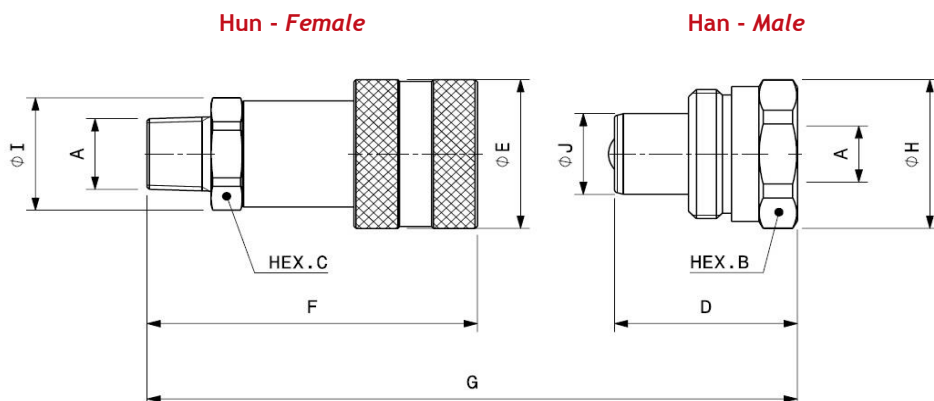


**IV-HP**

**SKRUEKOBLING "IV-HP" - HØJTRYK  
SCREWCOUPLING "IV-HP" - HIGH PRESSURE**



Varenr. / Code		Betegnelse Description	A	B	C	D	E	mm						Vægt / Weight (kg)	
Hun / Female	Han / Male							F	G	H	I	J	Male	Female	
800201008ST	800201009ST	IV14HP NPT	1/4"	19	22	32.5	28	60.8	74.5	28	24.5	15.8	0.07	0.14	
800201004ST	800201005ST	IV38HP NPT	3/8"	32	24	40	35	72.2	86.8	35	26.5	19	0.14	0.22	

Standard tætninger - Standard seals: NBR (Nitrile)

Arbejdstemperatur - Working temperature: -20°C til/to 100°C

**IV-HP**

**BESKYTTELSESHÆTTE FOR TYPE "IV-HP" - HØJTRYK  
PROTECTIVE CAPS FOR TYPE "IV-HP" - HIGH PRESSURE**



For "IV-HP"  
Hun -  
Female

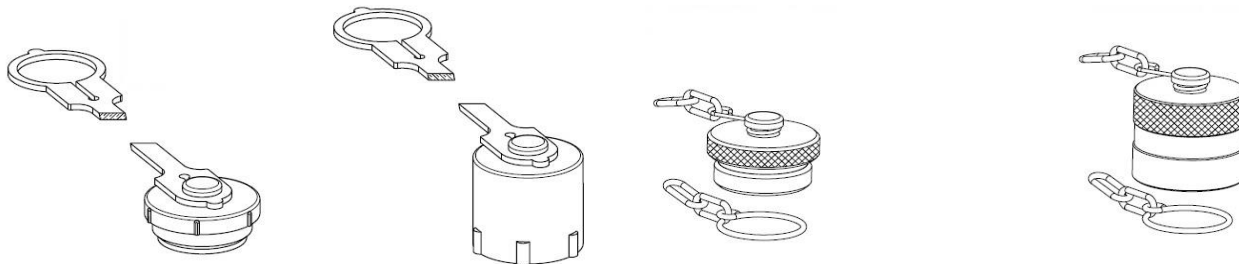
Plastic

For "IV-HP"  
Han - Male

For "IV-HP"  
Hun -  
Female

Carbon Steel

For "IV-HP" Han -  
Male



Varenr. Code	Betegnelse Description	Passer til Kobling/ Fits coupling	Materiale Material	Farve Colour
815603010ST	IV14HP Prop - Plug	800201008ST	Plastic	Sort/Black
815603011ST	IV14HP Hætte - Cap	800201009ST	Plastic	Sort/Black
815603012ST	IV38HP Prop - Plug	800201004ST	Plastic	Sort/Black
815603013ST	IV38HP Hætte - Cap	800201005ST	Plastic	Sort/Black
815605004ST	IV14HP Prop - Plug	800201008ST	Carbon Steel	Zink/ Zinc
815605005ST	IV14HP Hætte - Cap	800201009ST	Carbon Steel	Zink/ Zinc
815605002ST	IV38HP Prop - Plug	800201004ST	Carbon Steel	Zink/ Zinc
815605003ST	IV38HP Hætte - Cap	800201005ST	Carbon Steel	Zink/ Zinc

**IV-HP**

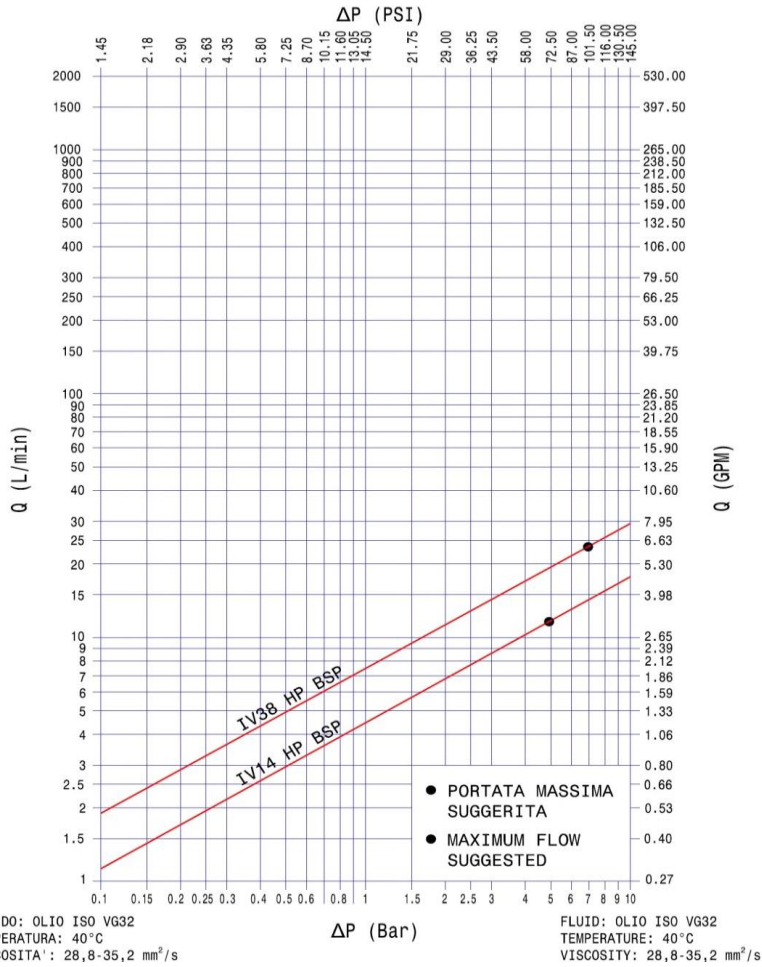
**SKRUEKOBLING "IV-HP" - HØJTRYK**  
**SCREWCOUPLING "IV-HP" - HIGH PRESSURE**

Description	Size Inch	Max. Flow		Max. operating pressure	
		l/min	GPM	MPa	psi
IV14HP	1/4"	12	3.18	70	10000
IV38HP	3/8"	23	6.10	70	10000

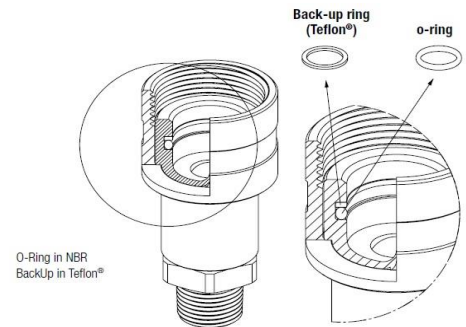
Temperature range:

- Standard seals NBR (Nitrile): from -20 °C to +100 °C ( from -4 °F to +212 °F).

TEST ESEGUITI IN CONFORMITA' A ISO 7241-2  
 TEST IN ACCORDANCE WITH ISO 7241-2



**SEAL KIT FOR "IV-HP" HUN**  
**SEAL KIT FOR "IV-HP" FEMALE**



Varenr. Code	Size	Betegnelse Description
815700652ST	1/4"	F IV14HP (OR)
815700650ST	3/8"	F IV38HP (OR+BK)