

Varenr. / Code		Betegnelse Description	A	mm										Vægt / Weight (kg)	
Hun / Female	Han / Male			B	C	D	E	F	G	H	I	J	Male	Female	
811500010ST	811500011ST	IRC38PC BSP	3/8"	22	24	38	35	61.6	76.4	24	26	19.9	0.06	0.22	
811500012ST	811500013ST	IRC12PC BSP	1/2"	27	30	42.5	41	67.6	85.2	29	33	24.7	0.1	0.33	
811500014ST	811500015ST	IRC34PC BSP	3/4"	36	38	47	52	76.2	94.6	39	41.6	32.7	0.19	0.58	
811500016ST	811500017ST	IRC100PC BSP	1"	45	45	56.5	62	92	113.4	48	48	40.9	0.35	0.97	

Standard tætninger - Standard seals: NBR (Nitrile)  
 Arbejdstemperatur - Working temperature: -20 °C til/to 100 °C

Description	Size Inch	ISO Size mm	Max. Flow		Connect force		Disconnect force		Spillage * ml
			l/min	GPM	N	lbf	N	lbf	
IRC14	1/4"	6.3	24	6.36	60	13.48	30	6.74	1.1
IRC38	3/8"	10	46	12.19	90	20.23	35	7.86	2.5
IRC12	1/2"	12.5	90	23.85	120	26.97	35	7.86	3.5
IRC34	3/4"	20	212	56.18	170	38.21	45	10.11	15
IRC100	1"	25	378	100.17	210	47.20	45	10.11	18

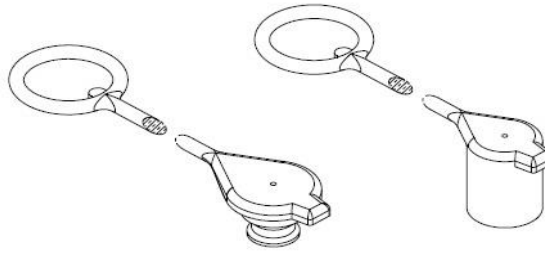
Description	Size Inch	Max. operating pressure						Burst pressure					
		Coupled		Male		Female		Coupled		Male		Female	
		MPa	psi	MPa	psi	MPa	psi	MPa	psi	MPa	psi	MPa	psi
IRC14	1/4"	60	8700	40	5800	40	5800	180	26100	120	17400	120	17400
IRC38	3/8"	46	6742.5	37	5365	37	5365	130	18850	110	15950	110	15950
IRC12	1/2"	40	5800	33	4785	33	4785	110	15950	100	14500	100	14500
IRC34	3/4"	33	5365	27	3915	27	3915	100	14500	80	11600	80	11600
IRC100	1"	33	4785	33	4785	33	4785	100	14500	100	14500	100	14500

\* Spillage is an indicative value of the fluid loss during disconnection

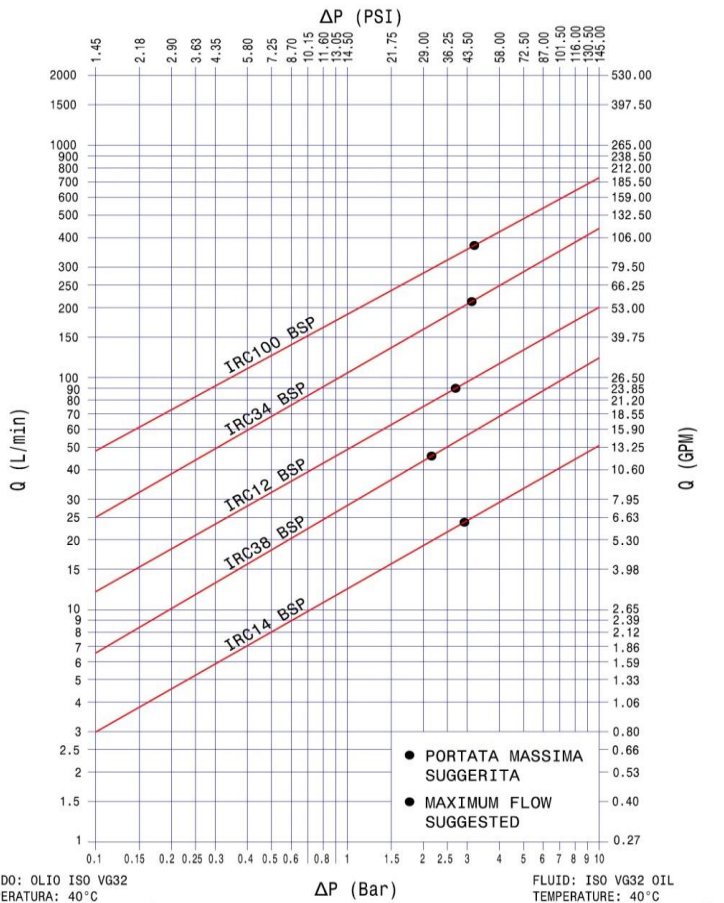
Temperature range:  
 - Standard seals NBR (Nitrile): from -20 °C to +100 °C ( from -4 °F to +212 °F).  
 - VITON seals (for IRC-X): from -15 °C to +180 °C ( from +5 °F to +356 °F).

For "IRC" Hun - Female

For "IRC" Han - Male



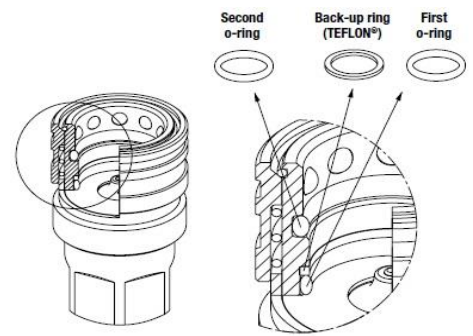
TEST ESEGUITI IN CONFORMITA' A ISO 7241-2  
TEST IN ACCORDANCE WITH ISO 7241-2



FLUIDO: OLIO ISO VG32  
TEMPERATURA: 40°C  
VISCOSITA': 28,8-35,2 mm<sup>2</sup>/s

FLUID: ISO VG32 OIL  
TEMPERATURE: 40°C  
VISCOSITY: 28,8-35,2 mm<sup>2</sup>/s

SEAL KIT FOR "IRC" HUN  
SEAL KIT FOR "IRC" FEMALE



Varenr. Code	Size	Betegnelse Description
815700700ST	1/4"	F IRC14
815700702ST	3/8"	F IRC38
815700704ST	1/2"	F IRC12
815700706ST	3/4"	F IRC34
815700708ST	1"	F IRC100