

Varenr. / Code		Betegnelse Description	mm											Vægt / Weight (kg)	
Hun / Female	Han / Male		A	B	C	D	E	F	G	H	I	J	Male	Female	
804600100ST	804600101ST	IRBX18 BSP	1/8"	14	14	30	23	48.8	60.5	15.8	15.8	10.8	0.02	0.07	
804600102ST	804600103ST	IRBX14 BSP	1/4"	19	19	35	27	57	70.7	20.8	21.2	14.2	0.04	0.12	
804600104ST	804600105ST	IRBX38 BSP	3/8"	24	24	41	34	66	82.7	26	27	19.1	0.07	0.23	
804600106ST	804600107ST	IRBX12 BSP	1/2"	27	27	46	42	73.9	92.6	29	29	23.5	0.10	0.33	
804600108ST	804600109ST	IRBX34 BSP	3/4"	36	36	55	50	90.1	111.1	38.5	38.5	31.4	0.21	0.58	
804600110ST	804600111ST	IRBX100 BSP	1"	41	41	66	60	106.2	133.2	44.8	44.8	37.7	0.34	0.88	

Standard tætninger - Standard seals: Viton

Arbejdstemperatur - Working temperature: -15 °C til/to 180 °C

Description	Size Inch	ISO Size mm	Max. Flow		Connect force		Disconnect force		Spillage * ml
			l/min	GPM	N	lbf	N	lbf	
IRBX18	1/8"	5.0	6	1.59	75	16.88	35	7.88	0.18
IRBX14	1/4"	6.3	24	6.36	60	13.50	30	6.75	0.33
IRBX38	3/8"	10.0	46	12.19	90	20.25	35	7.88	2.20
IRBX12	1/2"	12.5	90	23.85	125	28.13	45	10.13	3.00
IRBX34	3/4"	20.0	148	39.22	135	30.38	55	12.38	9.40
IRBX100	1"	25.0	200	53.00	140	31.50	40	9.00	14.00

Description	Size Inch	Max. operating pressure						Burst pressure					
		Coupled		Male		Female		Coupled		Male		Female	
		MPa	psi	MPa	psi	MPa	psi	MPa	psi	MPa	psi	MPa	psi
IRBX18	1/8"	25	3625	25	3625	25	3625	140	20300	140	20300	140	20300
IRBX14	1/4"	25	3625	25	3625	25	3625	140	20300	140	20300	140	20300
IRBX38	3/8"	20	2900	20	2900	20	2900	100	14500	100	14500	100	14500
IRBX12	1/2"	20	2900	20	2900	20	2900	100	14500	100	14500	100	14500
IRBX34	3/4"	16	2320	16	2320	16	2320	80	11600	80	11600	80	11600
IRBX100	1"	12.5	1813	12.5	1813	12.5	1813	60	8700	60	8700	60	8700

* Spillage is an indicative value of the fluid loss during disconnection

Temperature range:

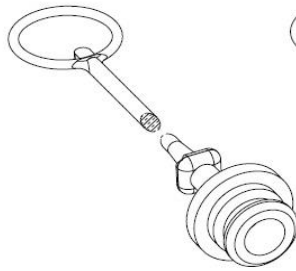
- Standard seals Viton: from -15 °C to +180 °C (from +5 °F to +356 °F).

IRBX

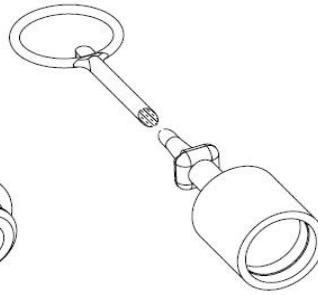
BESKYTTELSESHÆTTE FOR LYNKOBLING "IRBX" - ISO 7241-1 B
PROTECTIVE CAPS FOR QUICK COUPLING "IRBX" - ISO 7241-1 B



FOR "IRBX" HUN

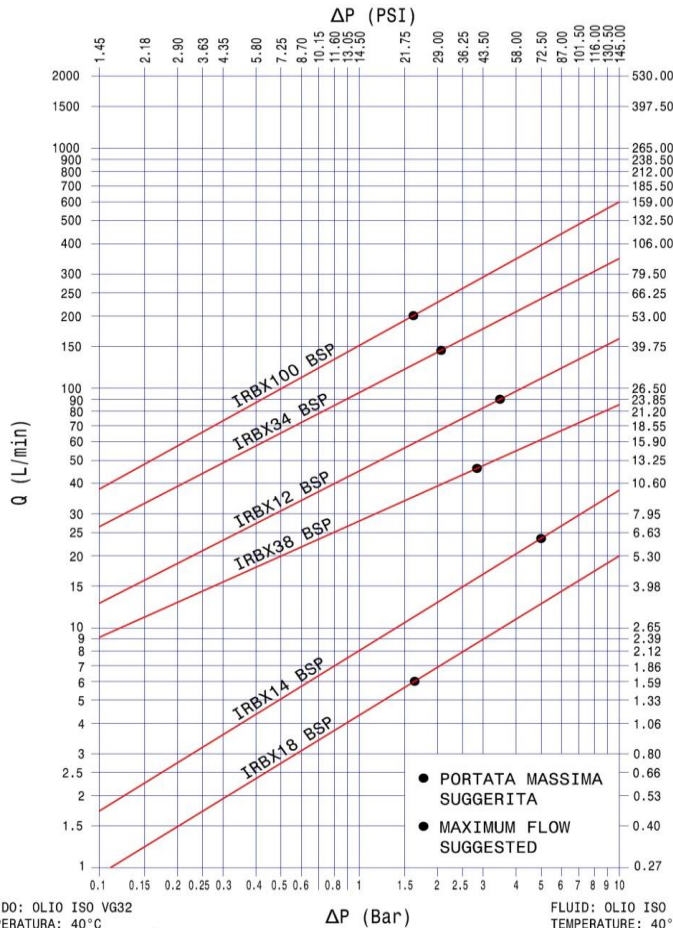


FOR "IRBX" HAN

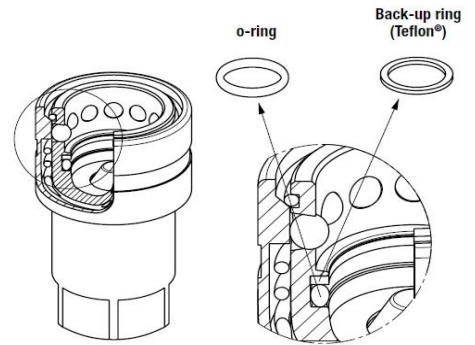


Varenr. Code	Betegnelse Description	Passer til Kobling/ Fits coupling	Materiale Material	Farve Colour
815000032ST	IRBX14 BSP Prop - Plug	804600102ST	PVC	Rød/Red
815000033ST	IRBX14 BSP Hætte - Cap	804600103ST	PVC	Rød/Red
815000034ST	IRBX38 BSP Prop - Plug	804600104ST	PVC	Rød/Red
815000035ST	IRBX38 BSP Hætte - Cap	804600105ST	PVC	Rød/Red
815000036ST	IRBX12 BSP Prop - Plug	804600106ST	PVC	Rød/Red
815000037ST	IRBX12 BSP Hætte - Cap	804600107ST	PVC	Rød/Red
815000038ST	IRBX34 BSP Prop - Plug	804600108ST	PVC	Rød/Red
815000039ST	IRBX34 BSP Hætte - Cap	804600109ST	PVC	Rød/Red
815000040ST	IRBX100 BSP Prop - Plug	804600110ST	PVC	Rød/Red
815000041ST	IRBX100 BSP Hætte - Cap	804600111ST	PVC	Rød/Red

TEST ESEGUITI IN CONFORMITA' A ISO 7241-2
 TEST IN ACCORDANCE WITH ISO 7241-2



SEAL KIT FOR "IRBX" HUN
SEAL KIT FOR "IRBX" FEMALE



Varenr. Code	Size	Betegnelse Description
815700214ST	1/8"	F IRBX18 (OR+BK)
815700216ST	1/4"	F IRBX14 (OR+BK)
815700218ST	3/8"	F IRBX38 (OR+BK)
815700220ST	1/2"	F IRBX12 (OR+BK)
815700222ST	3/4"	F IRBX34 (OR+BK)
815700224ST	1"	F IRBX100 (OR+BK)