

Varenr. / Code		Betegnelse Description	A	B	C	D	E	mm						Vægt / Weight (kg)	
Hun / Female	Han / Male							F	G	H	I	J	Male	Female	
800600000ST	800600001ST	IRB18 BSP	1/8"	14	14	30	23	48.8	60.5	15.8	15.8	10.8	0.02	0.07	
800600002ST	800600003ST	IRB14 BSP	1/4"	19	19	35	27	57	70.7	20.8	21.2	14.2	0.04	0.12	
800600004ST	800600005ST	IRB38 BSP	3/8"	24	24	41	34	66	82.7	26	27	19.1	0.07	0.22	
800600006ST	800600007ST	IRB12 BSP	1/2"	27	27	46	42	73.9	92.6	29	29	23.5	0.10	0.32	
800600008ST	800600009ST	IRB34 BSP	3/4"	36	36	55	50	90.1	111.1	38.5	38.5	31.4	0.20	0.56	
800600010ST	800600011ST	IRB100 BSP	1"	41	41	66	60	106.2	133.2	44.8	44.8	37.7	0.33	0.86	

Standard tætninger - Standard seals: NBR (Nitrile)

Arbejdstemperatur - Working temperature: -20 °C til/to 100 °C

Description	Size Inch	ISO Size mm	Max. Flow		Connect force		Disconnect force		Spillage * ml
			l/min	GPM	N	lbf	N	lbf	
IRB18	1/8"	5.0	6	1.59	75	16.88	35	7.88	0.18
IRB14	1/4"	6.3	24	6.36	50	11.25	35	7.88	0.33
IRB38	3/8"	10.0	46	12.19	80	18.00	45	10.13	2.20
IRB12	1/2"	12.5	90	23.85	105	23.63	35	7.88	3.00
IRB34	3/4"	20.0	148	39.22	125	28.13	40	9.00	9.40
IRB100	1"	25.0	200	53.00	130	29.25	45	10.13	14.00

Description	Size Inch	Max. operating pressure						Burst pressure					
		Coupled		Male		Female		Coupled		Male		Female	
		MPa	psi	MPa	psi	MPa	psi	MPa	psi	MPa	psi	MPa	psi
IRB18	1/8"	35	5075	35	5075	35	5075	120	17400	120	17400	120	17400
IRB14	1/4"	35	5075	35	5075	35	5075	100	14500	100	14500	100	14500
IRB38	3/8"	30	4350	30	4350	30	4350	100	14500	100	14500	100	14500
IRB12	1/2"	28	4060	28	4060	28	4060	100	14500	100	14500	100	14500
IRB34	3/4"	23	3335	23	3335	23	3335	100	14500	100	14500	100	14500
IRB100	1"	18	2610	18	2610	18	2610	80	11600	80	11600	80	11600

\* Spillage is an indicative value of the fluid loss during disconnection

Temperature range:

- Standard seals NBR (Nitrile): from -20 °C to +100 °C ( from -4 °F to +212 °F).

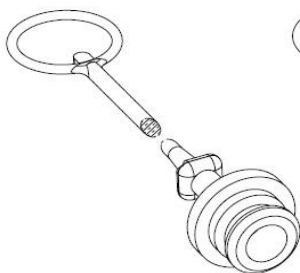
**IRB**

BESKYTTELSESHÆTTE FOR LYNKOBLING "IRB" - ISO 7241-1 B

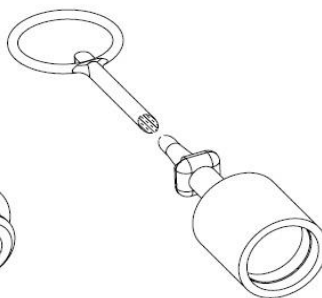
PROTECTIVE CAPS FOR QUICK COUPLING "IRB" - ISO 7241-1 B



FOR "IRB" HUN

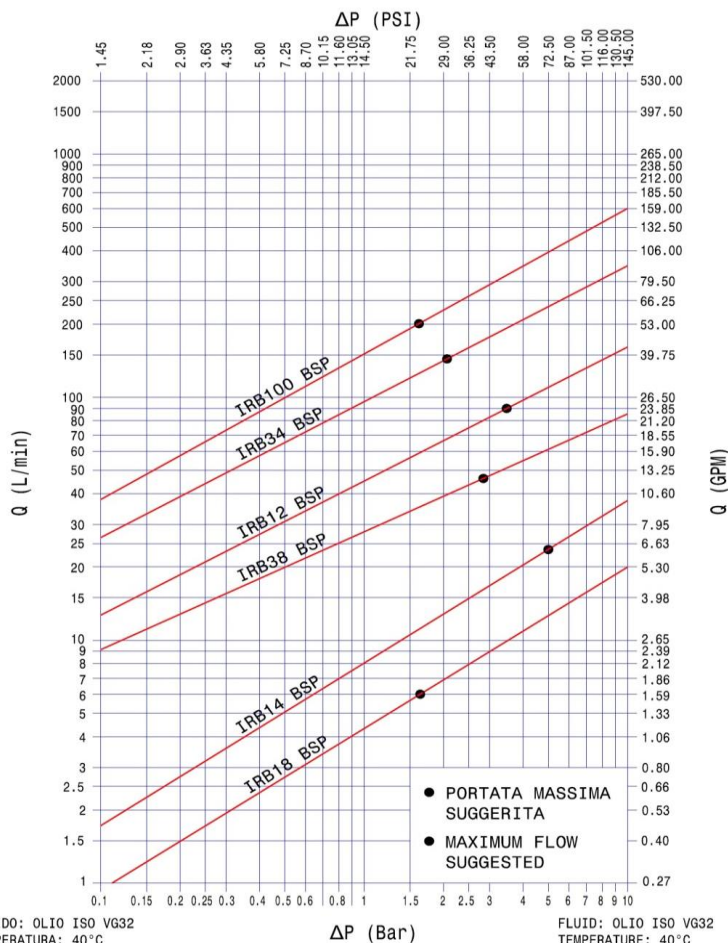


FOR "IRB" HAN



Varenr. Code	Betegnelse Description	Passer til Kobling/ Fits coupling	Materiale Material	Farve Colour
815000032ST	IRB14 BSP Prop - Plug	800600002ST	PVC	Rød/Red
815000033ST	IRB14 BSP Hætte - Cap	800600003ST	PVC	Rød/Red
815000034ST	IRB38 BSP Prop - Plug	800600004ST	PVC	Rød/Red
815000035ST	IRB38 BSP Hætte - Cap	800600005ST	PVC	Rød/Red
815000036ST	IRB12 BSP Prop - Plug	800600006ST	PVC	Rød/Red
815000037ST	IRB12 BSP Hætte - Cap	800600007ST	PVC	Rød/Red
815000038ST	IRB34 BSP Prop - Plug	800600008ST	PVC	Rød/Red
815000039ST	IRB34 BSP Hætte - Cap	800600009ST	PVC	Rød/Red
815000040ST	IRB100 BSP Prop - Plug	800600010ST	PVC	Rød/Red
815000041ST	IRB100 BSP Hætte - Cap	800600011ST	PVC	Rød/Red

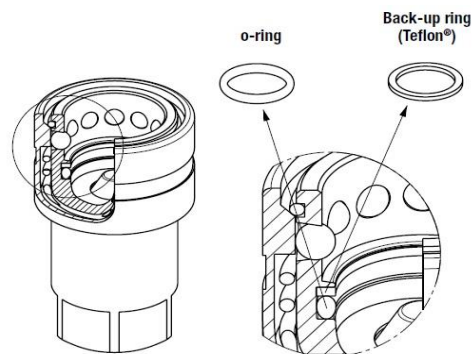
TEST ESEGUITI IN CONFORMITA' A ISO 7241-2  
TEST IN ACCORDANCE WITH ISO 7241-2



FLUIDO: OLIO ISO VG32  
 TEMPERATURA: 40°C  
 VISCOSITA': 28,8-35,2 mm<sup>2</sup>/s

FLUID: OLIO ISO VG32  
 TEMPERATURE: 40°C  
 VISCOSITY: 28,8-35,2 mm<sup>2</sup>/s

SEAL KIT FOR "IRB" HUN  
 SEAL KIT FOR "IRB" FEMALE



Varenr. Code	Size	Betegnelse Description
815700202ST	1/8"	F IRB18 (OR+BK)
815700204ST	1/4"	F IRB14 (OR+BK)
815700206ST	3/8"	F IRB38 (OR+BK)
815700208ST	1/2"	F IRB12 (OR+BK)
815700210ST	3/4"	F IRB34 (OR+BK)
815700212ST	1"	F IRB100 (OR+BK)