

LYNKOBLINGER - QUICK COUPLINGS

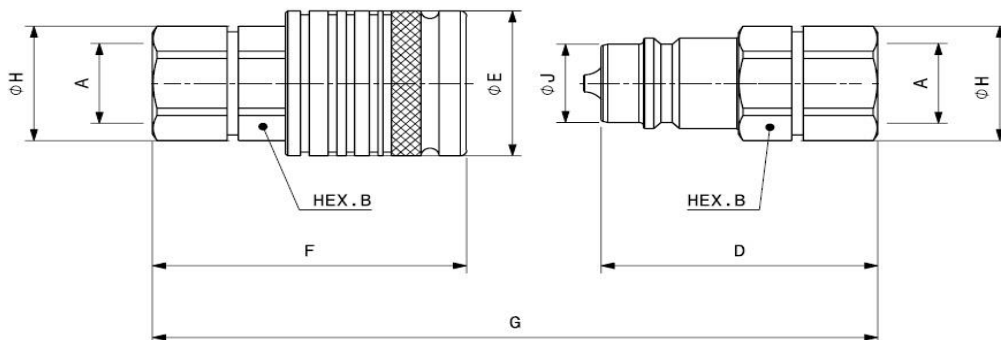
I-IP

LYNKOBLING "I-IP" - ISO 7241-1 A
QUICK COUPLING "I-IP" - ISO 7241-1 A



Hun - Female

Han - Male



Varenr. / Code		Betegnelse Description	A	mm								Vægt / Weight (kg)	
Hun / Female	Han / Male			B	D	E	F	G	H	J	Male	Female	
809400008ST	809400009ST	I-IP38 1/4 BSP	1/4"	22	49.3	32	67.5	64.8	24	17.3	0.09	0.22	
809400010ST	809400011ST	I-IP38 3/8 BSP	3/8"	22	52.3	32	70.5	76.8	24	17.3	0.09	0.22	
809400004ST	809400005ST	I-IP12 3/8 BSP	3/8"	27	57.3	38	65.6	86.3	30	20.5	0.14	0.26	
809400000ST	809400001ST	I-IP12 1/2 BSP	1/2"	27	61.1	38	69.4	111.1	30	20.5	0.14	0.26	
809400014ST	809400015ST	IP34 3/4 BSP	3/4"	36	64.4	46	91.5	127.3	40	29	0.28	0.62	
809400016ST	809400017ST	IP100 3/4 BSP	3/4"	41	69.5	54	103.5	151.2	45	34.3	0.40	0.90	
809400018ST	809400019ST	IP100 1 BSP	1"	41	75	54	109	171.3	45	34.3	0.39	0.89	

Standard tætninger - Standard seals: NBR (Nitrile)

Arbejdstemperatur - Working temperature: -20 °C til/to 100 °C

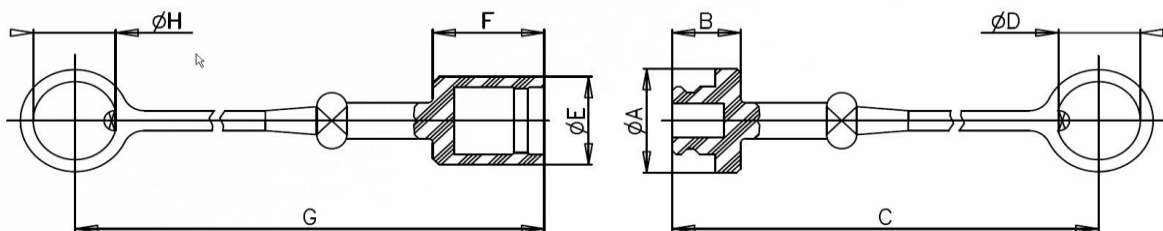
I-IP

BESKYTTELSESHÆTTE FOR TYPE "I-IP" - ISO 7241-1 A
PVC CAPS FOR TYPE "I-IP" - ISO 7241-1 A



For I Han - Male

For IP Hun - Female



Varenr. Code	Betegnelse Description	Passer til Kobling/ Fits coupling	mm								Farve Colour	Vægt Weight	
			A	B	C	D	E	F	G	H			
815000014ST	Prop - Plug 3/8"	809400008ST 809400010ST	26	16	223	22.5						Rød	0.02
815000015ST	Hætte - Cap 3/8"	809400009ST 809400011ST					24	27	234	22.5		Rød	0.02
815000004ST	Prop - Plug 1/2"	809400004ST 809400000ST	33	20	273	28						Rød	0.02
815000005ST	Hætte - Cap 1/2"	809400005ST 809400001ST					29	32	239	28		Rød	0.02
815001016ST	Prop - Plug 3/4"	809400014ST	40	19	266	32						Gul	0.03
815001017ST	Hætte - Cap 3/4"	809400015ST					36	41	288	32		Gul	0.03
815000018ST	Prop - Plug 1"	809400016ST 809400018ST	45	24	271	38						Rød	0.04
815000019ST	Hætte - Cap 1"	809400017ST 809400019ST					42	48	295	38		Rød	0.04

Description	Size Inch	ISO Size mm	Max. Flow		Connect force		Disconnect force		Spillage * ml
			l/min	GPM	N	lbf	N	lbf	
IP14D**	1/4"	6.3	24	6.36	27	6.08	17	3.83	0.30
IP38	3/8"	10.0	46	12.19	75	16.88	30	6.75	1.20
IP12	1/2"	12.5	90	23.85	90	20.25	80	18.00	1.80
IP34	3/4"	20.0	148	39.22	130	29.25	70	15.75	5.20
IP100	1"	25.0	200	53.00	300	67.50	70	15.75	13.00

Description	Size Inch	Max. operating pressure						Burst pressure					
		Coupled		Male		Female		Coupled		Male		Female	
		MPa	psi	MPa	psi	MPa	psi	MPa	psi	MPa	psi	MPa	psi
IP14D**	1/4"	35	5075	35	5075	35	5075	110	15950	126	18270	126	18270
IP38	3/8"	30	4350	30	4350	30	4350	100	14500	100	14500	100	14500
IP12	1/2"	25	3625	25	3625	25	3625	90	13050	100	14500	100	14500
IP34	3/4"	25	3625	25	3625	25	3625	90	13050	100	14500	100	14500
IP100	1"	25	3625	25	3625	25	3625	80	11600	100	14500	100	14500

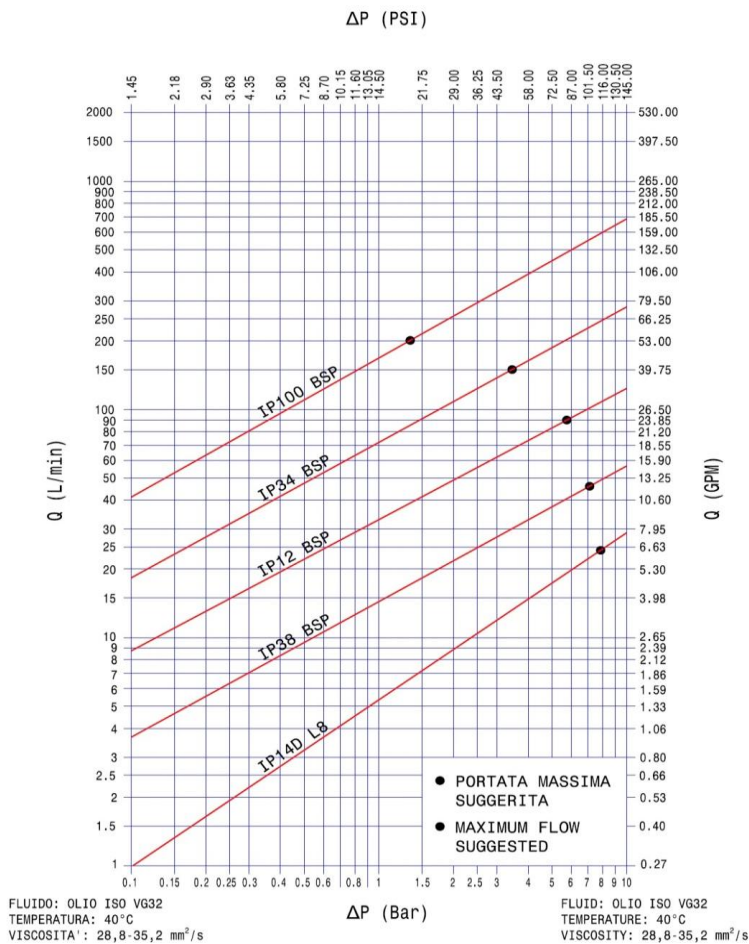
* Spillage is an indicative value of the fluid loss during disconnection

** I-IP 14 type "D" couplings are not ISO7241-1/A interchangeable

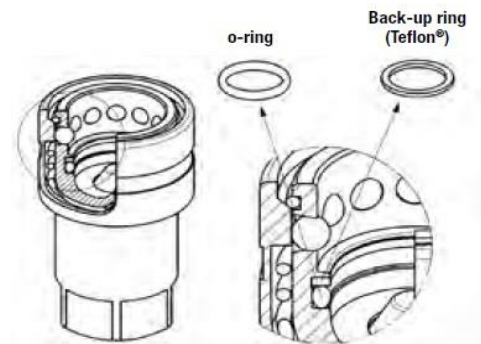
Temperature range:

- Standard seals NBR (Nitrile): from -20 °C to +100 °C (from -4 °F to +212 °F).

TEST ESEGUITI IN CONFORMITA' A ISO 7241-2
TEST IN ACCORDANCE WITH ISO 7241-2



SEAL KIT FOR "IP" HUN
SEAL KIT FOR "IP" FEMALE



Varenr. Code	Size	Betegnelse Description
815700924ST	1/4"	F IP14D (OR+BK)
815700926ST	3/8"	F IP38 (OR+BK)
815700928ST	1/2"	F IP12 (OR+BK)
815700930ST	3/4"	F IP34 (OR+BK)
815700932ST	1"	F IP100 (OR+BK)