

## Battery Powered Digital Pressure Gauges HTE2 Series

- Ranges from -1 to 1000 bar
- Accuracy  $< \pm 0.5$  FS
- Min & Max data capture
- Back lit display
- 2 x 1.5Vdc AA battery supply
- Compact and Rugged IP67
- 320° Rotatable Display



The ideal low cost solution to digital pressure testing. With display of pressure and pressure peaks, digital pressure gauges offer excellent accuracy and peak capture which a standard pressure gauge simply can not provide.

**Plant Engineering**  
**Industrial machinery**  
**Agricultural machinery**  
**Hydraulics and Pneumatics**  
**Automotive**

[hydra-comp.com](http://hydra-comp.com)

# Hydra-Comp

Hydraulikcylindre | Pumpestationer | Total-løsninger

HTE2 series digital pressure gauges are designed for both stationary and mobile measurement and display of pressure. They can be used as reference pressure gauges to simplify the checking, adjustment and calibration of other pressure measurement devices directly on site. Excellent protection against dust and moisture is provided by a membrane keypad with rubber buttons & rubber protective shroud.

## Advantages at a glance

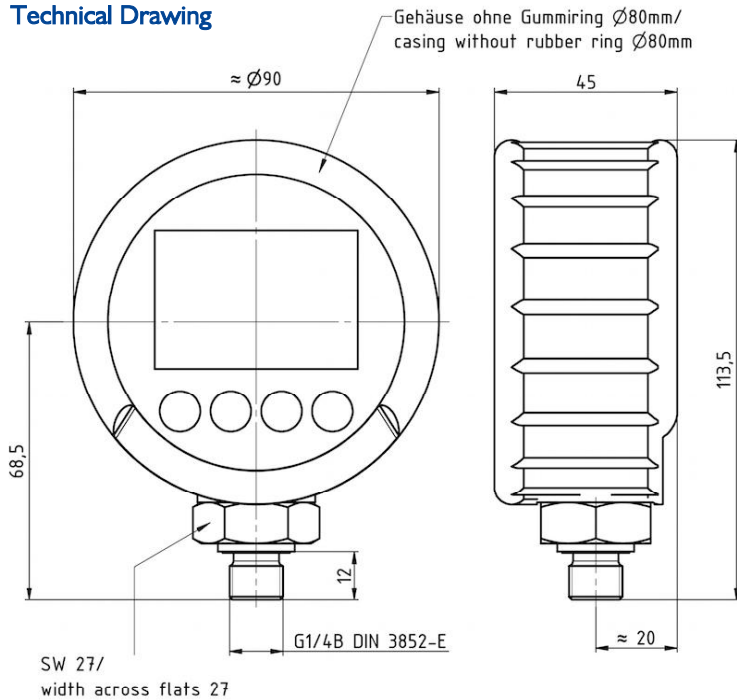
- Exact and reliable measurement
- High operational readiness
- Easy and clear readout with backlit display
- IP67 protection for harsh environments
- 2 x standard AA battery powered
- Supplemental min / max peak capture

## Components



- ① Cast zinc housing with rubber protection cap.
- ② LCD display with backlight.
- ③ Control panel with buttons.
- ④ G1/4" pressure connection thread.
- ⑤ Type plate.
- ⑥ Rear cover with fastening screws.
- ⑦ Integral Nitrile flat gasket seal

## Technical Drawing



## Display and control panel



- ① Measured value display.
- ② Control panel with buttons.
- ③ Bar graph display with drag indicator function.
- ④ Unit of measurement.
- ⑤ Full scale pressure & battery life indicator

## Order Codes

Part Number *	Measuring Range	Resolution
HTE2-0016	-1...16 bar	1 mbar
HTE2-0060	-1...60 bar	10 mbar
HTE2-0250	0...250 bar	100 mbar
HTE2-0400	0...400 bar	100 mbar
HTE2-0600	0...600 bar	100 mbar
HTE2-1000	0...1000 bar	100 mbar



Optional Minimesse® Male or Female adaptor to allow for easy hand tight connection / disconnection to Minimesse® test points or hoses (max working pressure 630 bar).

Different measuring ranges and accuracies of  $\pm 0.1\%$  and  $\pm 0.05\%$  are available on request.

\*-MM after part number for Minimesse® 1620 male adaptor fitted  
 \*-MF after part number for Minimesse® 1620 female adaptor fitted

hydra-comp.com

## HTE2 Series

### Battery Operated Digital Pressure Gauges

#### TECHNICAL SPECIFICATIONS

Performance & Features	
Pressure Ranges	(-1)...16 bar, (-1)...60 bar 0...250 bar, 0...400 bar 0...600 bar & 0...1000 bar
Measuring Accuracy (25°C)	<0.5 % FS ±1 digit
Sampling rate	10 ms
Internal resolution AD converter	12 bit = 4,096 steps
Temperature influence	0.05% FS / 10 K
<b>Display</b> -- Actual value -- MIN/MAX or Full Scale(FS) -- Bar graph -- Sampling rate -- Backlight	4 ½ digits (15 mm) 4 ½ digits (8 mm) 33 segments (drag indicator function) 50 ms (20 measurements /s) 50 x 34 mm
Pressure units	bar, PSI, mbar, kPa, MPa, kg/cm <sup>2</sup> , mH <sub>2</sub> O, inchH <sub>2</sub> O
Electrical characteristics	
Supply voltage	Battery 2 x 1.5 VDC AA (LR6 –AA), Alkaline (Mignon)
Battery life	1,500 hrs (without lighting)
Degree of protection (EN 60529)	IP 67
Ambient conditions and process variables	
Operating temperature	0...50 °C
Fluid temperature	-20...+80 °C
Storage temperature	-20...+60 °C
Relative humidity	< 85%
Vibration	IEC 60068-2-6 / 10...500 Hz / 5 g
Shock	IEC 60068-2-29 / 11 ms / 25 g
Materials & Dimensions	
<b>Pressure connection:</b> -- Material -- Connection thread -- Gasket	Stainless steel 1.4404 ¼ " BSPP (ISO 1179-2) NBR
<b>Housing:</b> -- Material -- Dimensions	Zinc cast (Rubber protection shroud: TPE) Ø = 79 mm , Thickness = 33 mm (without rubber cover)
Weight	540 g