



In line single-acting flow control

FT 257/5

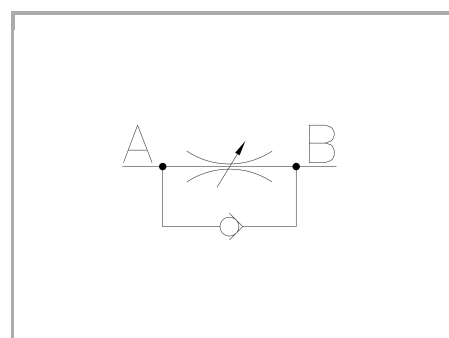
Single-acting flow control valves available from size 1/8" to 2" BSPP size, max. working pressure 400 Bar / 320 Bar, adjustable oil flow rate from 0,5 to 200 Lt/min. (depending on the size)

Single-acting control

In line or panel mounting

Carbon steel

Connections: F - F Female - Female



Technical information

Technical description

The valves FT 257/5 have the function of regulating and, if necessary, to shut-off the flow in one direction, allowing a free flow in the opposite direction. Appreciated for their aesthetic characteristics that indulge positively the constructive directions of the equipments on which they are installed, they are also a reliable solution. The proper dimensioning has made possible to obtain, in a little space, a great mechanic resistance of the components. The spring in high-resistance material is housed in such a way that it does not close as a pack during the opening of the taper single-acting shutter valve. Like all the valves of the series FT 257 they ensure:

- efficient metallic sealing;
- flow linearity at the opening;
- accurate control for a wide range of flow rate, thanks to the double reference system
- wide range of the flow rate control;
- impossibility for the needle to leave its seat even in the max. opening position;
- stable positioning thanks to a screw inside the knob;
- quick panel mounting (the ring nuts (G) are supplied on request). The check valve is set to 0,5 bar.

Materials

CORPO VALVOLA / VALVE BODY	Acciaio/Steel 11 S Mn Pb 37-UNI EN 10087
SPILO DI REGOLAZIONE / ADJUSTING NEEDLE	Acciaio legato/Alloy steel
GUARNIZIONI / GASKETS	Di serie NBR - A richiesta FPM/Standard NBR-on demand FPM
ANELLI ANTIESTRUSIONE / ANTIEXTRUSION RINGS	PTFE
VALVOLA RITEGNO / CHECK VALVE	Acciaio / Steel 39 Ni Cr Mo 3-UNI EN 10083
MOLLA / SPRING	Acciaio / Steel C 85-UNI EN 10089
FONDELLO FILETTATO / THREADED LOCKING RING	Acciaio / Steel 35 S Mn Pb 10-UNI EN 10087
MANOPOLA TIPO MA - RA / KNOB TYPE MA - RA	Alluminio/Aluminum GD AlSi12- UNI EN AB 46100
MANOPOLA TIPO MP / KNOB TYPE MP	ABS

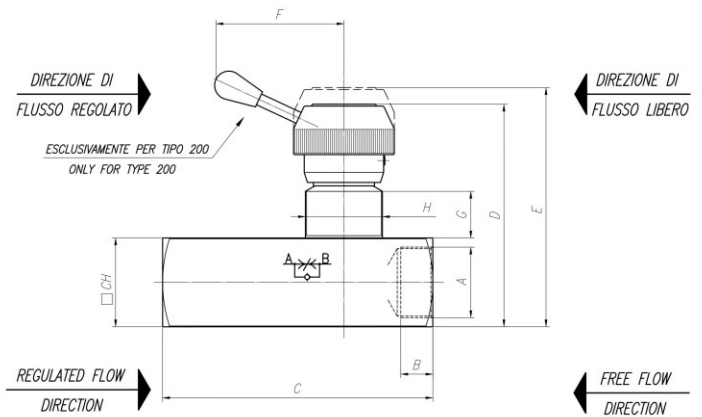
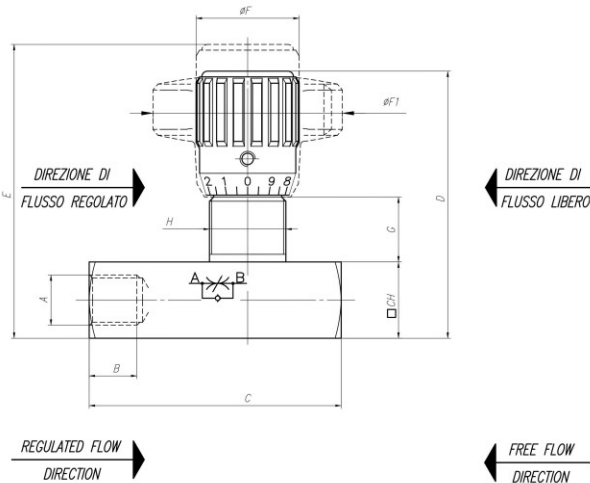


Technical data

TIPO / TYPE	PRESSIONE ESERCIZIO BAR / WORKING PRESSURE BAR	MIN. PRESSIONE SCOPPIO BAR / MIN. BURSTING PRESSURE BAR	TEMPERATURA ESERCIZIO / WORKING TEMPERATURE	GRADO DI FILTRAZIONE μm / FILTRATION GRADE μm
18	400	1600	-20°C/+100°C	25
14	400	1600	-20°C/+100°C	25
38	400	1600	-20°C/+100°C	25
12	400	1600	-20°C/+100°C	25
34	400	1600	-20°C/+100°C	25
100	320	1300	-20°C/+100°C	25
114	320	1300	-20°C/+100°C	25
112	320	1300	-20°C/+100°C	25
200	320	1300	-20°C/+100°C	25

Dimensional tables and drawings

TIPO / TYPE	A UNI 338	B	C	D	E	$\varnothing F$	$\varnothing F1$	G	H	CH	PESO / WEIGHT KG
18	1/8" G	8,5	50	59	64	22	40	13,5	M17x1	16	0,130
14	1/4" G	12,5	66	71	78	27	50	17	M20x1	20	0,250
38	3/8" G	12,5	79	84	93	33	70	19,5	M25x1,5	25	0,500
12	1/2" G	15,5	94,5	97	107	38	80	21	M30x1,5	30	0,750
34	3/4" G	17	115	120,5	132,5	47	100	26,5	M40x1,5	40	1,600
100	1" G	20	138,5	151,5	167,5	58	120	35	M50x1,5	50	3,050
114	1 1/4" G	22	157	156,5	172,5	58	120	35	M50x1,5	55	3,750
112	1 1/2" G	24	190	167	181	58	120	35	M55x2	65	5,760
200	2" G	27	228	188	202	108	/	44	M65x2	75	10,000





Flow rate curves

