

LYNKOBLINGER - QUICK COUPLINGS

FL

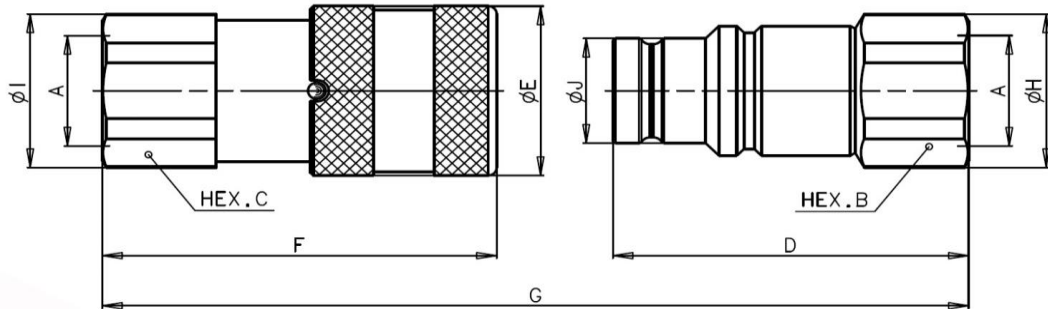
LYNKOBLING "FL" - ISO 16028 - RUSTFRI STÅL

QUICK COUPLING "FL" - ISO 16028 - STAINLESS STEEL



Hun - Female

Han - Male



Varenr. / Code		Betegnelse Description	A	mm										Vægt / Weight (kg)	
Hun / Female	Han / Male			B	C	D	E	F	G	H	I	J	Male	Female	
802400122ST	802400123ST	FL4 1/8 BSP	1/8"	17	19	36.3	20	40	68.4	18.5	20.5	11.6	0.04	0.07	
802400100ST	802400101ST	FL7 1/4 BSP	1/4"	22	22	49.4	28	48.3	86.7	23.8	23.8	16.1	0.10	0.14	
802400102ST	802400103ST	FL9 3/8 BSP	3/8"	24	27	59.9	32	64.2	108.6	26	29	19.7	0.12	0.25	
802400104ST	802400105ST	FL9 1/2 BSP	1/2"	27	27	62.4	32	69.2	116.1	29	29	19.7	0.12	0.24	
802400106ST	802400107ST	FL13 1/2 BSP	1/2"	32	32	70.5	38	73.8	127	33.8	33.8	24.5	0.26	0.38	
802400108ST	802400109ST	FL13 3/4 BSP	3/4"	36	36	70.5	38	80.8	134	38.5	38.5	24.5	0.26	0.38	
802400110ST	802400111ST	FL15 3/4 BSP	3/4"	36	36	70.5	42	80.9	133.8	38.5	38.5	27	0.28	0.49	
802400112ST	802400113ST	FL17 1 BSP	1"	46	46	82.2	48	92.9	153.3	49.5	49.5	30	0.43	0.80	
802400114ST	802400115ST	FL21 1-1/4 BSP	1 1/4"	55	55	90	55	106.2	173	59.8	59.8	36	0.67	1.23	
802400116ST	802400117ST	FL27 1-1/2 BSP	1 1/2"	70	65	111	80	132.4	214.8	76	72	57	1.89	2.91	
802400118ST	802400119ST	FL45 2 BSP	2"	75	80	123.8	100	156.6	241.5	83.5	88.5	73	2.29	5.23	

Standard tætninger - Standard seals: VITON

Arbejdstemperatur - Working temperature: -15°C til/to 180°C

På forespørgsel - On request: NBR-EPDM-KALREZ pakninger/NBR-EPDM-KALREZ seals

Description	Size Inch	ISO Size mm	Rated flow		Max. Flow		Connect force		Disconnect force		Spillage * ml
			l/min	GPM	l/min	GPM	N	lbf	N	lbf	
FL4	1/8"	-	3	0.80	6	1.59	140	31.50	30	6.75	0.01
FL7	1/4"	6.3	12	3.18	24	6.36	160	36.00	45	10.13	0.01
FL9	3/8"	10.0	23	6.10	46	12.19	160	36.00	45	10.13	0.01
FL13	1/2"	12.5	45	11.93	90	23.85	200	45.00	60	13.50	0.02
FL15	5/8"	16.0	74	19.61	148	39.22	200	45.00	60	13.50	0.03
FL17	3/4"	19.0	100	26.50	200	53.00	200	45.00	60	13.50	0.03
FL21	1"	25.0	189	50.09	378	100.17	280	63.00	90	20.25	0.04
FL27	1 1/2"	-	288	76.32	750	198.75	580	130.50	160	36.00	0.05
FL45	2"	-	379	100.44	1000	265.00	490	110.25	70	15.75	0.10

Description	Size Inch	Max. operating pressure						Burst pressure					
		Coupled		Male		Female		Coupled		Male		Female	
		MPa	psi	MPa	psi	MPa	psi	MPa	psi	MPa	psi	MPa	psi
FL4	1/8"	35	5075	35	5075	33	4785	140	20300	140	20300	120	17400
FL7	1/4"	35	5075	35	5075	12	1740	140	20300	120	17400	48	6960
FL9	3/8"	35	5075	35	5075	15	2175	140	20300	120	17400	60	8700
FL13	1/2"	35	5075	35	5075	15	2175	120	17400	110	15950	60	8700
FL15	5/8"	35	5075	30	4350	12	1740	120	17400	100	14500	48	6960
FL17	3/4"	33	4785	28	4060	12	1740	100	14500	80	11600	48	6960
FL21	1"	28	4060	28	4060	12	1740	90	13050	80	11600	48	6960
FL27	1 1/2"	23	3335	23	3335	8	1160	80	11600	70	10150	32	4640
FL45	2"	15	2175	15	2175	7	1015	60	8700	60	8700	28	4060

* Spillage is an indicative value of the fluid loss during disconnection

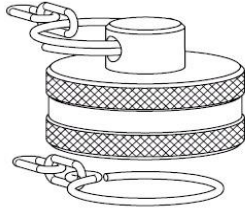
Temperature range:

Standard seals: VITON seals: from -15°C to +180°C (from +5 °F to +356 °F).

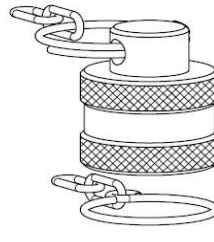
NBR (Nitrile) seals: from -20 °C to +100 °C (from -4 °F to +212 °F).



For "FL" Hun - Female

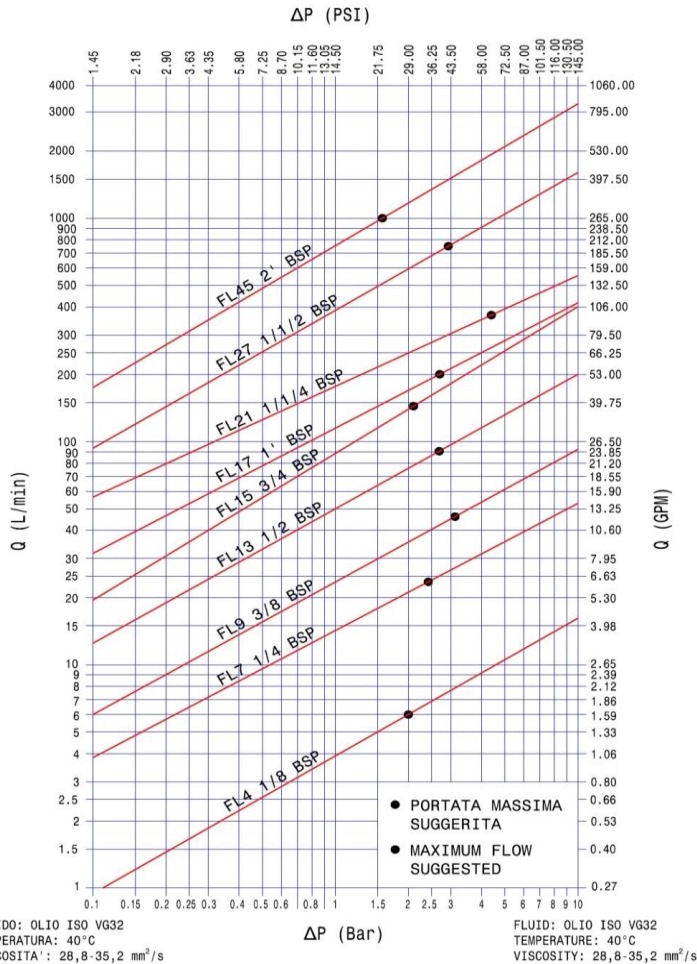


For "FL" Han - Male

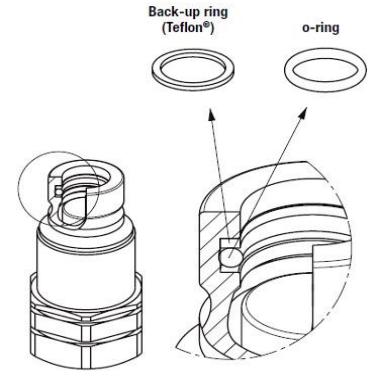


Varenr. Code	Betegnelse Description	Passer til Kobling/ Fits coupling	mm								Farve Colour	Vægt Weight	
			A	B	C	D	E	F	G	H			
816005002ST		802400100ST										Alu	
816005003ST		802400101ST										Alu	
816005004ST		802400102ST										Alu	
816005005ST		802400103ST										Alu	
816005004ST		802400104ST										Alu	
816005005ST		802400105ST										Alu	
816005006ST		802400106ST										Alu	
816005007ST		802400107ST										Alu	
816005006ST		802400108ST										Alu	
816005007ST		802400109ST										Alu	
816005008ST		802400110ST										Alu	
816005009ST		802400111ST										Alu	
816005010ST		802400112ST										Alu	
816005011ST		802400113ST										Alu	
816005012ST		802400114ST										Alu	
816005013ST		802400115ST										Alu	

TEST ESEGUITI IN CONFORMITA' A ISO 7241-2
TEST IN ACCORDANCE WITH ISO 7241-2



SEAL KIT FOR "FL" HAN
SEAL KIT FOR "FL" MALE



Varenr. Code	Size	Betegnelse Description
815700247ST	3/8"	M FL9
815700249ST	1/2"	M FL13
815700251ST	5/8"	M FL15
815700253ST	3/4"	M FL17
815700255ST	1"	M FL21