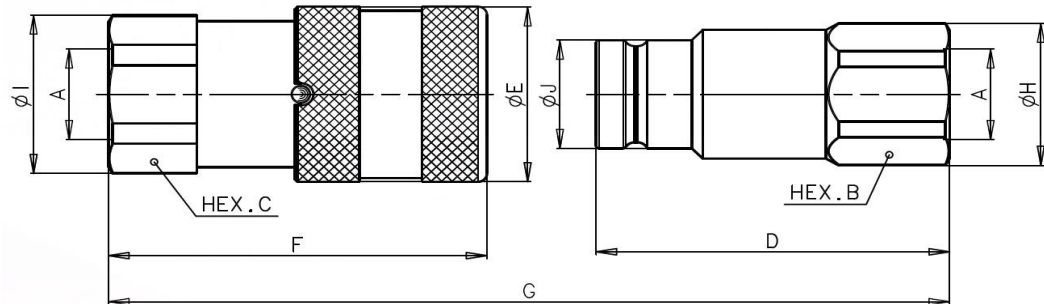




Hun - Female

Han - Male



Varenr. / Code		Betegnelse Description	A	mm										Vægt / Weight (kg)	
Hun / Female	Han / Male			B	C	D	E	F	G	H	I	J	Male	Female	
800800000ST	800800001ST	FIRG 14 BSP	1/4"	22	22	47.9	28	48.1	85.2	23.8	23.8	16.1	0.09	0.14	
800800004ST	800800005ST	FIRG 38 BSP	3/8"	24	27	60	32	64.2	108.7	26	29	19.7	0.12	0.24	
800800002ST	800800003ST	FIRG 12 BSP	1/2"	27	27	62.5	32	69.2	116.2	29	29	19.7	0.13	0.24	
800800006ST	800800007ST	FIRG 12A BSP	1/2"	32	32	68	38	73.8	124.5	33.8	33.8	24.5	0.23	0.38	
800800008ST	800800009ST	FIRG 34 BSP	3/4"	36	36	70.5	38	80.8	134	38.5	38.5	24.5	0.23	0.41	
800800010ST	800800011ST	FIRG 34B BSP	3/4"	36	36	70.5	42	78.5	131.4	38.5	38.5	27	0.27	0.48	
800800020ST	800800021ST	FIRG 34A BSP	3/4"	41	41	82.3	48	88.7	149	44.8	44.8	30	0.45	0.75	
800800012ST	800800013ST	FIRG 100 BSP	1"	45	45	82.3	48	93.2	153.5	47.8	47.8	30	0.39	0.77	
800800014ST	800800015ST	FIRG 114 BSP	1 1/4"	55	55	89.8	55	106	172.8	59.8	59.8	36	0.64	1.22	
800800016ST	800800017ST	FIRG 112 BSP	1 1/2"	65	65	111.1	80	132.4	214.9	69.8	72	57	1.67	2.82	
800800018ST	800800019ST	FIRG 200 BSP	2"	75	80	123.8	100	156.6	241.5	83.5	88.5	73	2.26	5.10	

Standard tætninger - Standard seals: NBR (Nitrile)
Arbejdstemperatur - Working temperature: -20 °C til/to 100 °C

På forespørgsel - On request: Viton pakninger - Viton seals

Description	Size Inch	ISO Size mm	Rated flow		Max. Flow		Connect force		Disconnect force		Spillage * ml
			l/min	GPM	l/min	GPM	N	lbf	N	lbf	
FIRG14	1/4	6.3	12	3.18	24	6.36	140	31.50	40	9.00	0.01
FIRG38-12	3/8	10.0	23	6.10	46	12.19	150	33.75	40	9.00	0.01
FIRG12A-34	1/2	12.5	45	11.93	90	23.85	160	36.00	60	13.50	0.02
FIRG34B	5/8	16.0	74	19.61	148	39.22	180	40.50	55	12.38	0.03
FIRG34A	3/4	19.0	100	26.50	170	45.05	270	60.75	90	20.25	0.03
FIRG100	3/4	19.0	100	26.50	200	53.00	240	54.00	65	14.63	0.03
FIRG114	1	25.0	189	50.09	378	100.17	310	69.75	100	22.50	0.04
FIRG112	1-1/2	-	288	76.32	750	198.75	390	87.75	90	20.25	0.05
FIRG200	2	-	379	100.44	1000	265.00	470	105.75	100	22.50	0.10

Description	Size Inch	Max. operating pressure						Burst pressure					
		Coupled		Male		Female		Coupled		Male		Female	
		MPa	psi	MPa	psi	MPa	psi	MPa	psi	MPa	psi	MPa	psi
FIRG14	1/4	30	4350	42	6090	12	1740	120	17400	126	18270	48	6960
FIRG38-12	3/8	30	4350	30	4350	12	1740	120	17400	120	17400	48	6960
FIRG12A-34	1/2	25	3625	25	3625	10	1450	100	14500	100	14500	40	5800
FIRG34B	5/8	25	3625	22	3190	10	1450	100	14500	88	12760	40	5800
FIRG34A	3/4	33	4785	33	4785	33	4785	100	14500	100	14500	100	14500
FIRG100	3/4	25	3625	20	2900	10	1450	100	14500	80	11600	40	5800
FIRG114	1	25	3625	20	2900	10	1450	100	14500	80	11600	40	5800
FIRG112	1-1/2	20	2900	27	3915	8	1160	80	11600	80	11600	32	4640
FIRG200	2	20	2900	16	2320	8	1160	80	11600	64	9280	32	4640

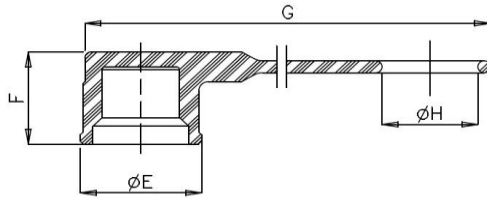
* Spillage is an indicative value of the fluid loss per couple-uncouple cycle.

Temperature range:

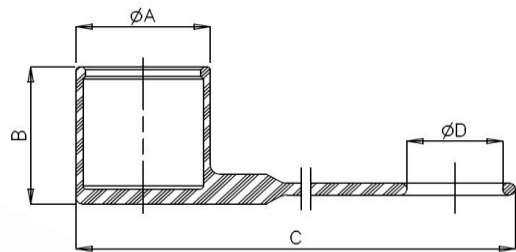
- Standard seals NBR (Nitrile): from -20 °C to +100 °C (from -4 °F to +212 °F).
- VITON seals: from -15 °C to +180 °C (from +5 °F to +356 °F).



For "FIRG" Han - Male

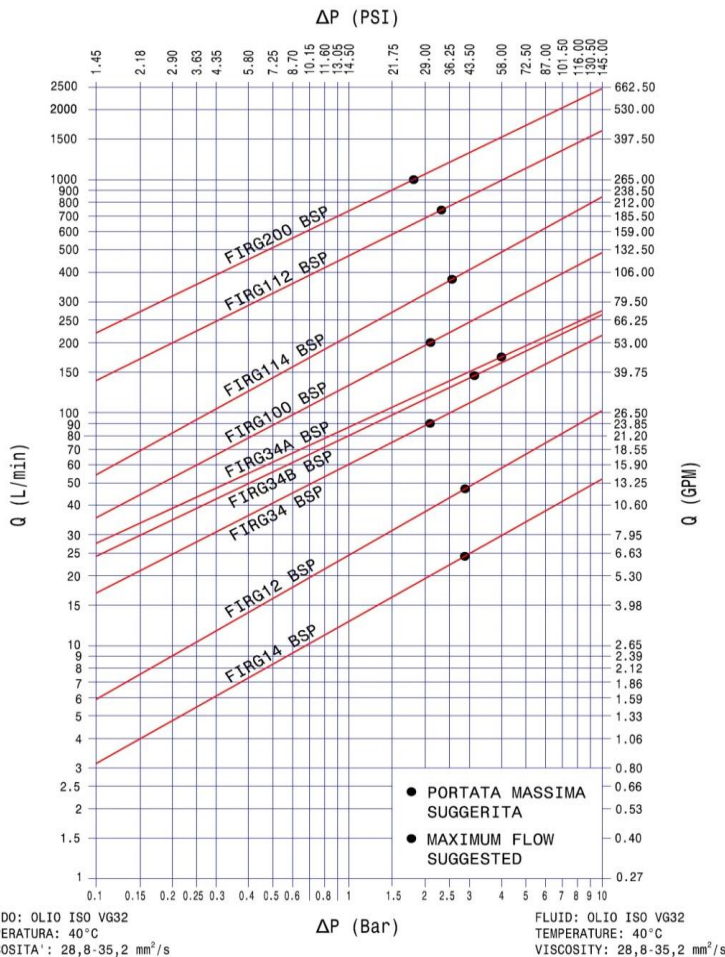


For "FIRG" Hun - Female

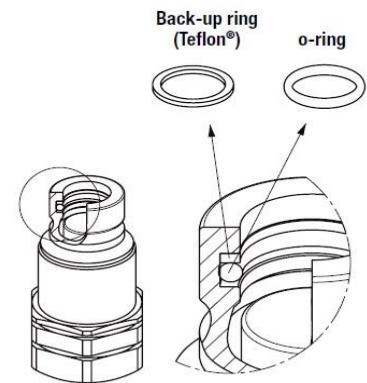


Varenr. Code	Betegnelse Description	Passer til Kobling/ Fits coupling	mm								Farve Colour	Vægt Weight	
			A	B	C	D	E	F	G	H			
81510000ST	P-7B	80080000ST	32	38	239	20						Rød	0.017
815100023ST	D-7	80080001ST					28	23	230	20		Rød	0.010
815100002ST	P-9D	800800004ST	36	43	247	25						Rød	0.022
815100025ST	D-9S	800800005ST					32	28	233	20		Rød	0.015
815100002ST	P-9D	800800002ST	36	43	247	25						Rød	0.022
815100027ST	D-9L	800800003ST					32	28	235	25		Rød	0.015
815100004ST	P-13D	800800006ST	42	46	256	25						Rød	0.032
815100029ST	D-13S	800800007ST					38	31.5	248	25		Rød	0.020
815100006ST	P-13F	800800008ST	42	46	259	30						Rød	0.032
815100031ST	D-13L	800800009ST					38	31.5	248	30		Rød	0.020
815100008ST	P-15F	800800010ST	46	50	265	30						Rød	0.038
815100011ST	D-15F	800800011ST					42	28	256	30		Rød	0.036
815100010ST	P-17G	800800020ST 800800012ST	52	62	318	35						Rød	0.058
815100013ST	D-17G	800800021ST 800800013ST					48	35	310	35		Rød	0.063
815100012ST	P-21H	800800014ST	60	68	335	45						Rød	0.080
815100015ST	D-21H	800800015ST					55	38.5	324	45		Rød	0.079

TEST ESEGUITI IN CONFORMITA' A ISO 7241-2
TEST IN ACCORDANCE WITH ISO 7241-2



**SEAL KIT FOR "FIRG" HAN
SEAL KIT FOR "FIRG" MALE**



Varenr. Code	Size	Betegnelse Description
815700519ST	1/4"	M FIRG14
815700337ST	3/8"	M FIRG38-12
815700339ST	1/2"	M FIRG12A-34
815700341ST	5/8"	M FIRG34B
815700343ST	3/4"	M FIRG100
815700345ST	1"	M FIRG114
815700521ST	1 1/2"	M FIRG112
815700796ST	2"	M FIRG200