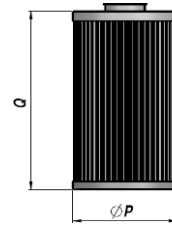
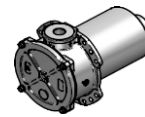
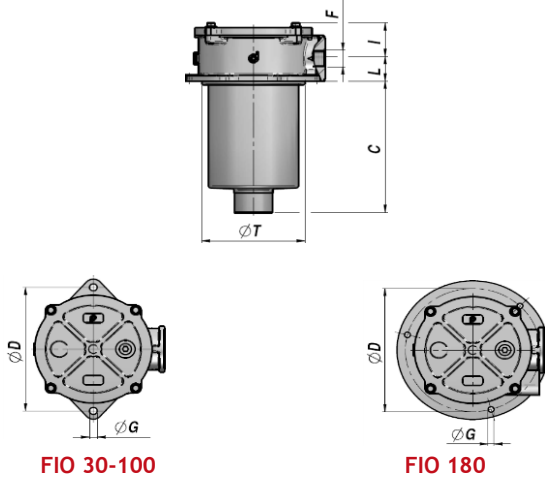


**RETURN FILTER FOR TANK MONTERING
RETURN-LINE FILTER**

FIO

**FILTERELEMENT
ELEMENT**

CR



Varenr. Code	Type	l/min	F BSP	Micron	ØT	C	L	I	ØD	ØG	kg
AFIO030030	FIO 30/3-P	20	1/2"	30	67	78	22	30	90	6.4	0,50
AFIO030060	FIO 30/6-P	30	"	60	"	"	"	"	"	"	0,50
AFIO030000	FIO 30/9-P	30	"	90	"	"	"	"	"	"	0,50
AFIO050030	FIO 50/3-P	35	1/2"	30	90	100	28	43	115	8.4	0,80
AFIO050060	FIO 50/6-P	50	"	60	"	"	"	"	"	"	0,80
AFIO050000	FIO 50/9-P	50	"	90	"	"	"	"	"	"	0,80
AFIO080030	FIO 80/3-P	55	3/4"	30	90	150	28	43	115	8.4	0,90
AFIO080060	FIO 80/6-P	80	"	60	"	"	"	"	"	"	0,90
AFIO080000	FIO 80/9-P	80	"	90	"	"	"	"	"	"	0,90
AFIO100030	FIO 100/3-P	65	1"	30	90	150	28	43	115	8.4	0,90
AFIO100060	FIO 100/6-P	100	"	60	"	"	"	"	"	"	0,90
AFIO100000	FIO 100/9-P	100	"	90	"	"	"	"	"	"	0,90
AFIO180030	FIO 180/3-P	100	1"1/4	30	130	230	35	53	175	10,5	2,50
AFIO180060	FIO 180/6-P	150	"	60	"	"	"	"	"	"	2,50
AFIO180000	FIO 180/9-P	150	"	90	"	"	"	"	"	"	2,50

Varenr. Code	Type	ØP	Q	kg
AFCR030030	CR 30/3	52	67	0,13
AFCR030060	CR 30/6	"	"	0,12
AFCR030000	CR 30/9	"	"	0,14
AFCR050030	CR 50/3	70	75	0,21
AFCR050060	CR 50/6	"	"	0,22
AFCR050000	CR 50/9	"	"	0,22
AFCR100030	CR 100/3	70	128	0,30
AFCR100060	CR 100/6	"	"	0,27
AFCR100000	CR 100/9	"	"	0,33
AFCR100030	CR 100/3	70	128	0,30
AFCR100060	CR 100/6	"	"	0,27
AFCR100000	CR 100/9	"	"	0,33
AFCR180030	CR 180/3	95	203	0,70
AFCR180060	CR 180/6	"	"	0,57
AFCR180000	CR 180/9	"	"	0,76