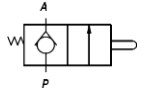
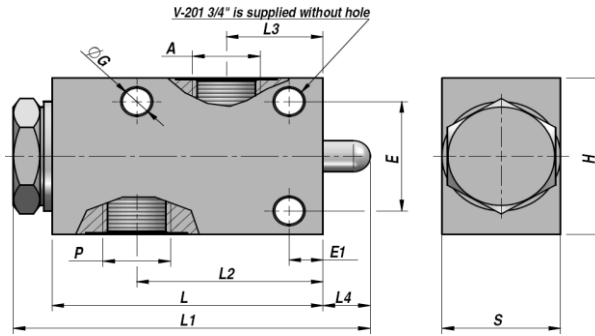
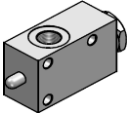


FCV...NC

ENDESTOP VENTIL - NORMALT LUKKET
END-STROKE VALVE - NORMALLY CLOSED



Varenr. Code	A-P BSP	Q MAX l/min	P MAX bar	Type	L	L1	L2	L3	L4	ØG	E	E1	H	S	kg
V7015.0600	3/8"	40	350	FC V-101 NC	80	105	55	30	14	8,5	35	10	50	35	0,96
V7015.0800	1/2"	60	350	FC V-121 NC	80	105	55	28.5	14	8,5	35	10	50	35	0,93
V7015.1200	3/4"	100	350	FC V-201 NC	88	115	61	23	14	8,5	50	20	70	45	0,86

RØRMONTERING
LINE MOUNTING

MATERIALE - MATERIAL : STÅL - STEEL