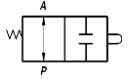
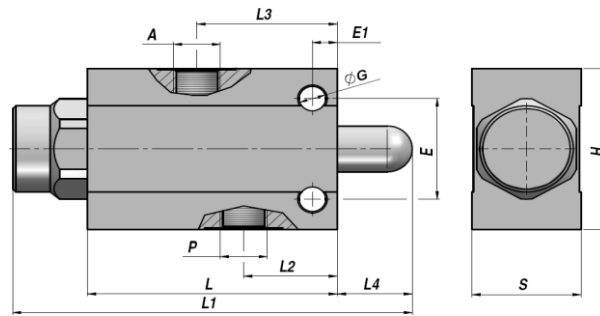
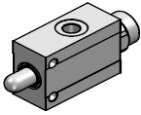


FCV...NA

ENDESTOP VENTIL - NORMALT ÅBEN
END-STROKE VALVE - NORMALLY OPEN



Varenr. Code	A-P BSP	Q MAX l/min	P MAX bar	Type	L	L1	L2	L3	L4	ØG	E	E1	H	S	kg
V7090.0817	3/8"	35	350	FC V-101 NA	80	129	30	45	24	8,5	35	8	56	35	1,24
V7090.0818	1/2"	50	350	FC V-121 NA	80	129	30	45	24	8,5	35	8	62	35	1,38

RØRMONTERING
LINE MOUNTING

MATERIALE - MATERIAL : STÅL - STEEL