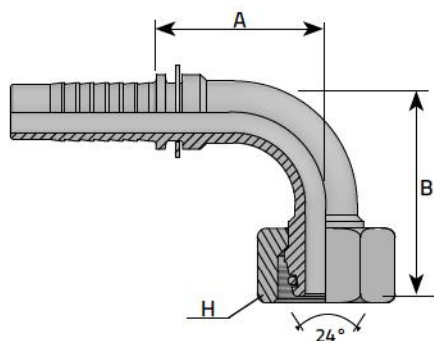


## METRIC FEMALE 24° CONE - 90° ELBOW - S TYPE (1)

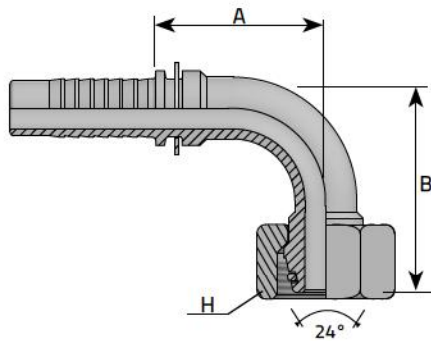


FEMMINA 90° METRICA O-RING 24° DKOS  
 FEMELLE 90° MÉTRIQUE CÔNE 24° AVEC O-RING - SÉRIE S  
 DKO-S 90° BOGEN INNENGEWINDE MIT O-RING 24° KONUS  
 HEMBRA MÉTRICA A 90° CON O-RING CONO 24° - SERIE S

\* CRIMPED NUT  
 DADO PINZATO

Code	Tube		Thread	Dimensions				Pressure		
	D.N.	Hose		Diam	T	D	H	B	A	Bar
	Inch	mm	mm	mm	mm	mm	mm	mm		
F90E0314S6	-3	3/16"	4.8	M14 x 1.5	6	19	31.5	29.5	420	6091
F90E0316S8	-3	3/16"	4.8	M16 x 1.5	8	19	31.5	29.5	420	6091
* F90E0414S6	-4	1/4"	6.4	M14 x 1.5	6	17	31.5	29.5	450	6526
F90E0416S8	-4	1/4"	6.4	M16 x 1.5	8	19	31.5	29.5	450	6526
F90E0418S10	-4	1/4"	6.4	M18 x 1.5	10	22	32.5	29	450	6526
F90E0420S12	-4	1/4"	6.4	M20 x 1.5	12	24	30.5	27	450	6526
F90E0518S10	-5	5/16"	7.9	M18 x 1.5	10	22	32.5	31	350	5076
F90E0520S12	-5	5/16"	7.9	M20 x 1.5	12	24	37	29	350	5076
* F90E0618S10	-6	3/8"	9.5	M18 x 1.5	10	22	38	33	450	6526
F90E0620S12	-6	3/8"	9.5	M20 x 1.5	12	24	37.5	35.5	450	6526
F90E0622S14	-6	3/8"	9.5	M22 x 1.5	14	27	42	34	450	6526
F90E0822S14	-8	1/2"	12.8	M22 x 1.5	14	27	44	39.5	420	6091
F90E0824S16	-8	1/2"	12.8	M24 x 1.5	16	30	45	39.5	420	6091
F90E1030S20	-10	5/8"	16	M30 x 2	20	36	56	48.5	350	5076
F90E1230S20	-12	3/4"	19	M30 x 2	20	36	59	56.5	350	5076

## METRIC FEMALE 24° CONE - 90° ELBOW - S TYPE (2)



FEMMINA 90° METRICA O-RING 24° DKOS  
 FEMELLE 90° MÉTRIQUE CÔNE 24° AVEC O-RING - SÉRIE S  
 DKO-S 90° BOGEN INNENGEWINDE MIT O-RING 24° KONUS  
 HEMBRA MÉTRICA A 90° CON O-RING CONO 24° - SERIE S

Code	Tube			Thread	Dimensions				Pressure	
	D.N.	Hose	Diam		T	D	H	B	A	Bar
	Inch		mm	mm	mm	mm	mm	mm		
F90E1236S25	-12	3/4"	19	M36 x 2	25	46	59	56.5	350	5076
F90E1636S25	-16	1"	25.4	M36 x 2	25	46	75	73	280	4061
F90E1642S30	-16	1"	25.4	M42 x 2	30	50	75	73	280	4061
F90E2042S30	-20	1.1/4"	31.8	M42 x 2	30	50	86	92	210	3046
F90E2052S38	-20	1.1/4"	31.8	M52 x 2	38	60	86	92	210	3046
F90E2452S38	-24	1.1/2"	38.1	M52 x 2	38	60	94	99	185	2683