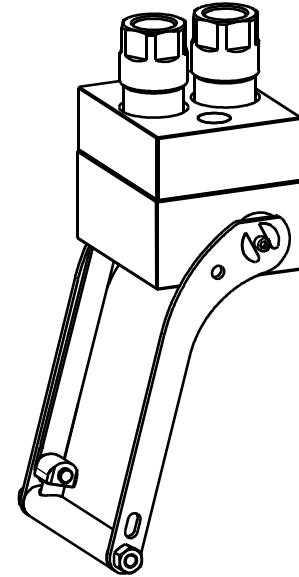


DP2 2D

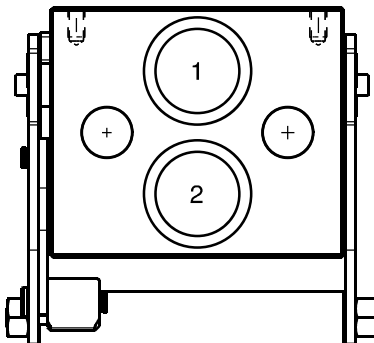
Previous description	Max. Resistance Body size	FAP9 (A) 3/8"	FAP13 (B) 1/2"	FAP15 (C) 5/8"	FAP17 (D) 3/4"	FAP21 (E) 1"	FAP30 (G) 1-1/2"
DP2-17ZN	18000 N				2		



DRAWING



CONFIGURATIONS



Possible configurations		
Pos	Coupling size	Predisposition for electrical connector
1	FAP17ZN	-
2	FAP17ZN	-

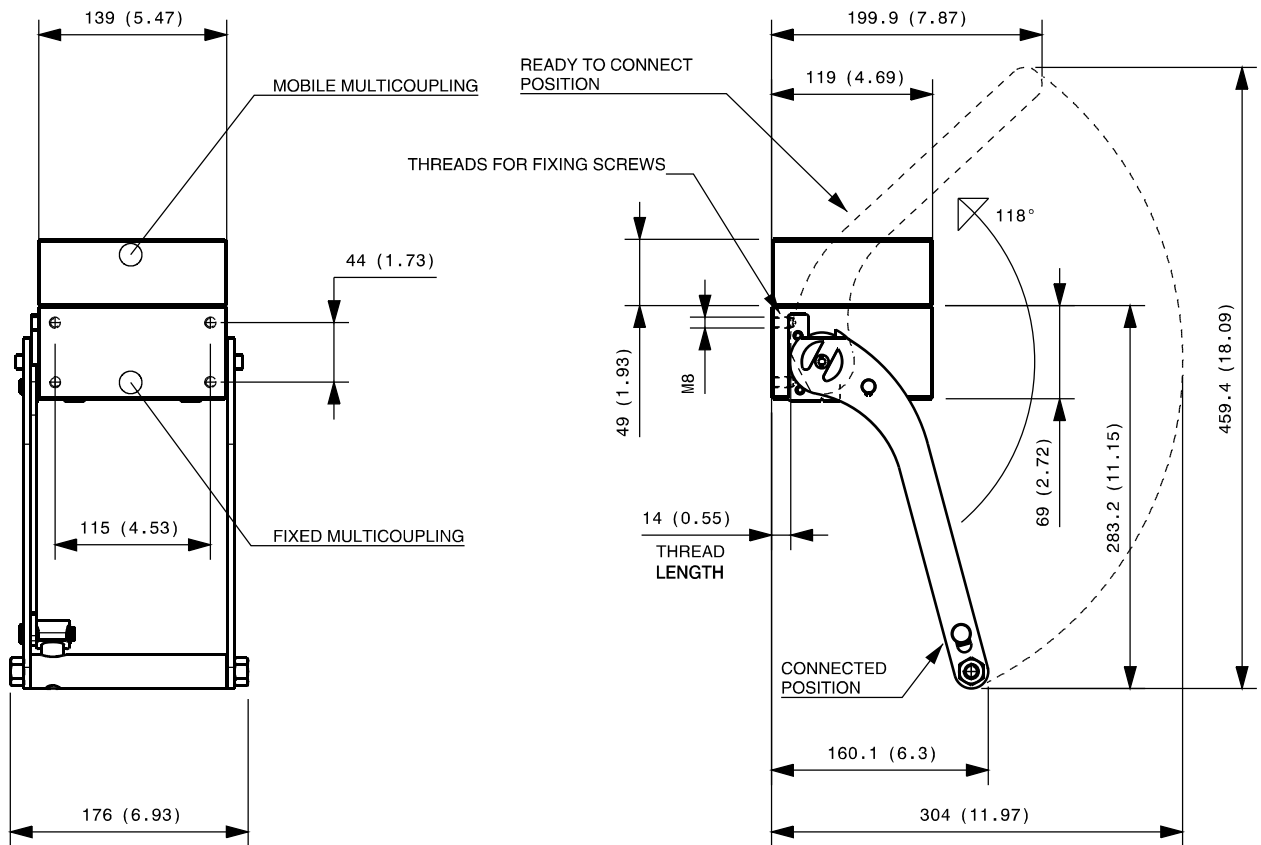
MultiCoupling (couplings included)		
Code	Name	Description
870008029	MULTI COMPLETE DP2 2D	2 FAP17 3/4 BSP - CAP
870008017	MULTI COMPLETE DP2 2D	2 FAP17 1 BSP - CAP
870008013	MULTI COMPLETE DP2 2D	1 FAP17 3/4 NPT - 1 FAP17 1 NPT - CAP
870008113	MULTI FIX DP2 2D	2 FAP17 1 NPT
870008117	MULTI FIX DP2 2D	2 FAP17 1 BSP
870008124	MULTI FIX DP2 2D	1 FAP17 3/4 SAE - 1 FAP17 1 SAE
870008126	MULTI FIX DP2 2D	2 FAP17 3/4 SAE
870008129	MULTI FIX DP2 2D	2 FAP17 3/4 BSP
870008213	MULTI MOBILE DP2 2D	2 FAP17 1 NPT
870008217	MULTI MOBILE DP2 2D	2 FAP17 1 BSP
870008224	MULTI MOBILE DP2 2D	1 FAP17 3/4 SAE - 1 FAP17 1 SAE
870008226	MULTI MOBILE DP2 2D	2 FAP17 3/4 SAE
870008229	MULTI MOBILE DP2 2D	2 FAP17 3/4 BSP

MultiCoupling spare parts (couplings not included)	
Code	Name
806000348	MULTI FIX EMPTY DP2 2D
806000349	MULTI MOBILE EMPTY DP2 2D
815606272	CAP FIX MULTICOUPLING DP 139x118
815606273	PARKING STATION MOBILE MULTICOUPLING DP 139x120
815701084	SPARE KIT LEVER GROUP DP 250x176

Custom configurations available upon request

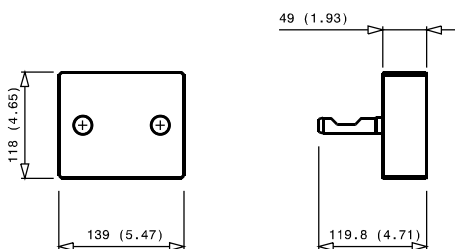
Fixed and mobile multicoupling

3,9 Kg and 2,1 Kg



Dimensions in millimeters (inch)

Cap for fixed multicoupling 2,3 Kg



Parking station for mobile multicoupling 1,8 Kg

