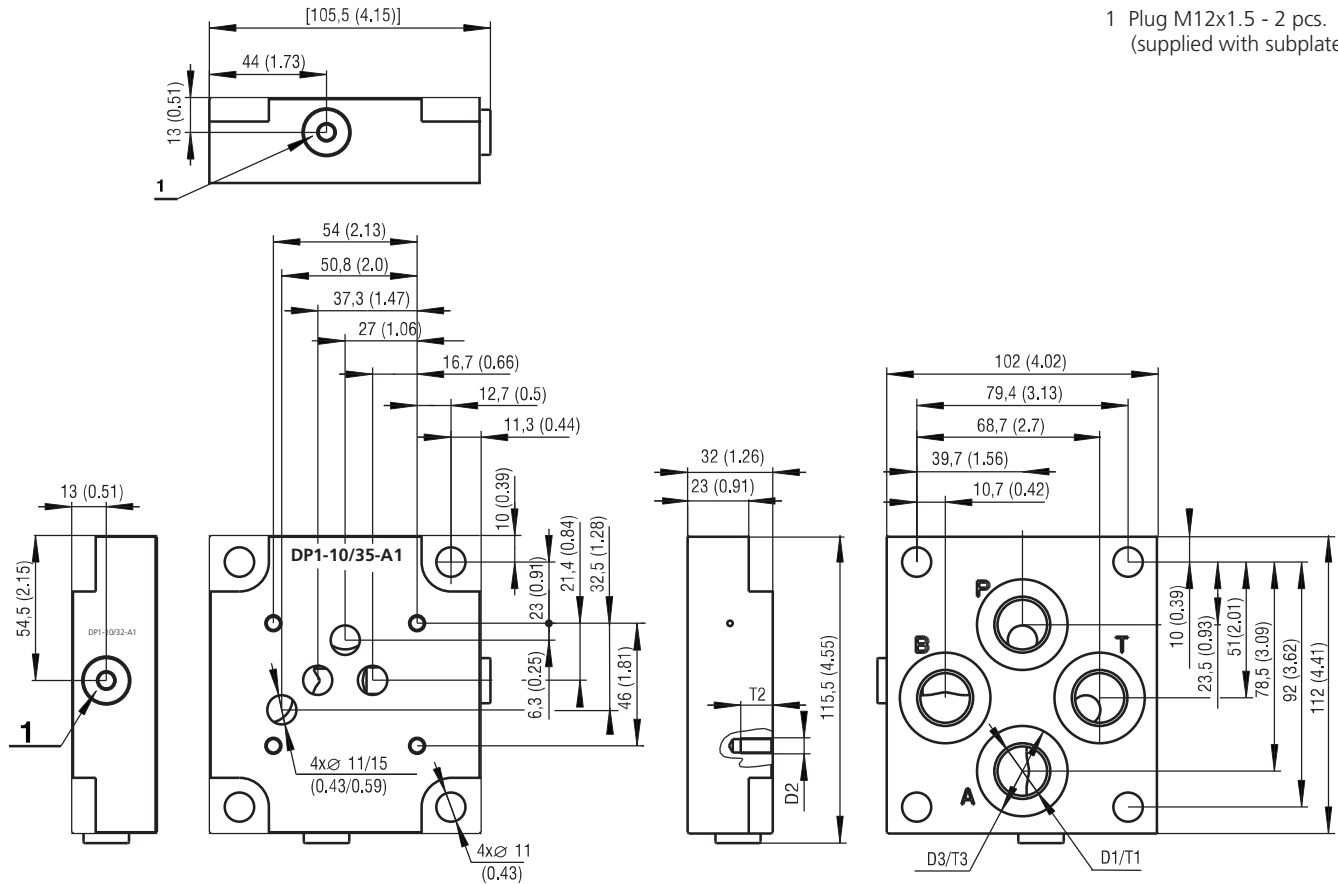


**Subplates Size 10** Dimensions in millimeters (inches)

**DP1-10\* Form A**

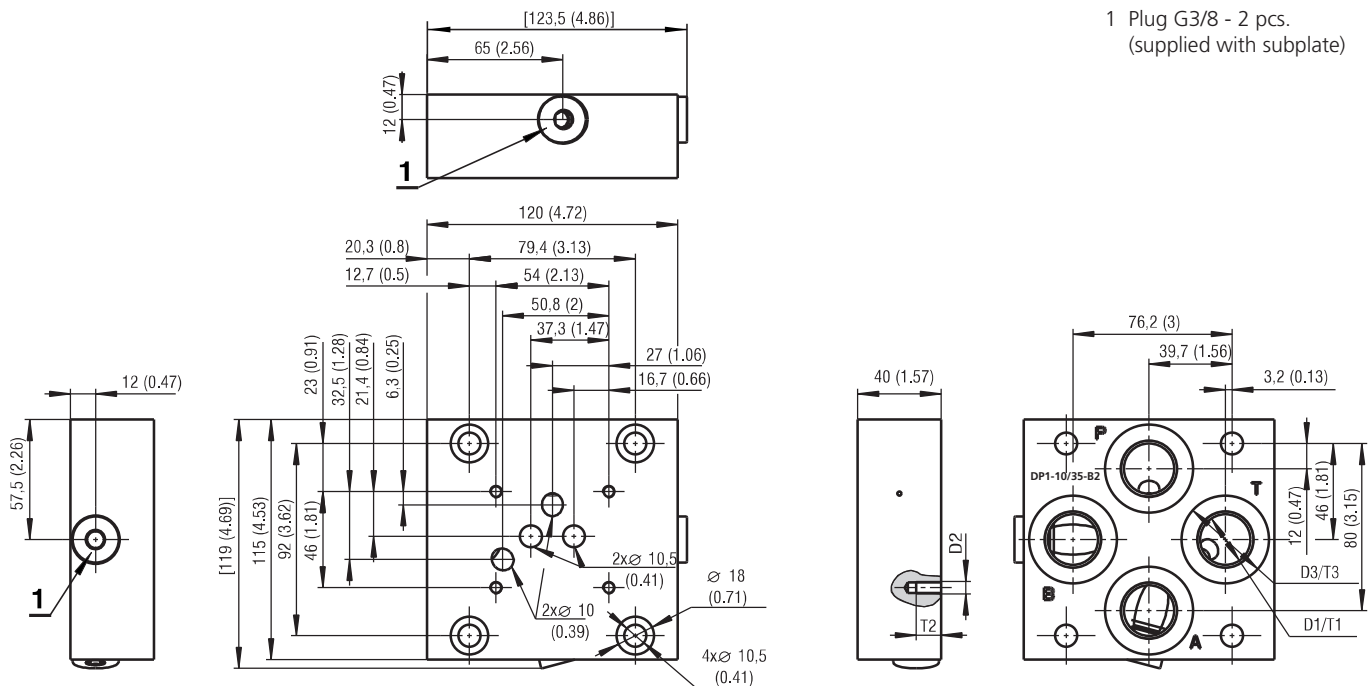
1 Plug M12x1.5 - 2 pcs.  
(supplied with subplate)



Ordering code	D1	T1	D2	T2	D3	T3	Mass [kg (lbs)]
DP1-10/35-A1	BSPP 1/2	14 (0.55)	M6	12 (0.47)	Ø34 (1.34)	1 (0.04)	2.3 (5.07)

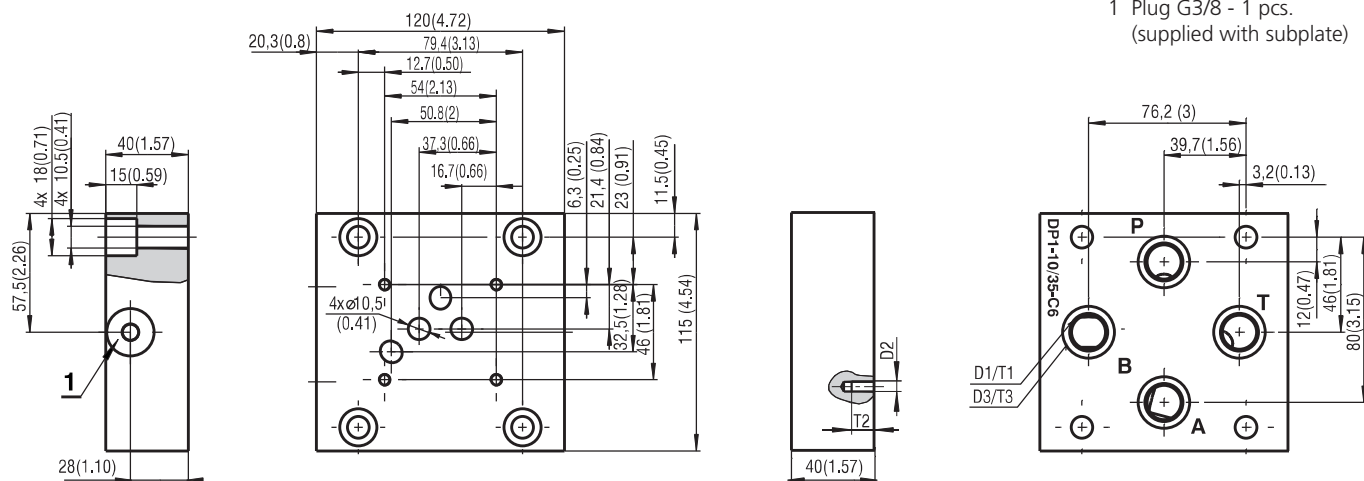
**DP1-10\* Form B**

1 Plug G3/8 - 2 pcs.  
(supplied with subplate)



Ordering code	D1	T1	D2	T2	D3	T3	Mass [kg (lbs)]
DP1-10/35-B2	BSPP 3/4	16 (0.63)	M6	12 (0.47)	Ø42 (1.65)	1 (0.04)	2.5 (5.51)

DP1-10\* Form C



Ordering code	D1	T1	D2	T2	D3	T3	Mass [kg (lbs)]
DP1-10/35-C6	M18x1.5	12 (0.47)	M6	12 (0.47)	Ø25 (0.98)	1 (0.04)	2.5 (5.51)