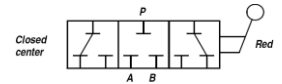
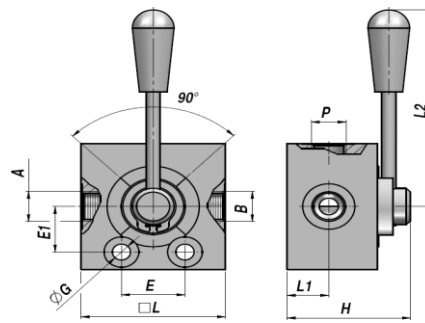
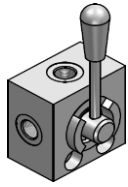


RETNINGSVENTILER - HYDRAULIC DIRECTIONAL CONTROL VALVES

DDF3 AP ...C

3 VEJS HØJTRYK OMSKIFTER VENTIL "AP...C" - LUKKET CENTER
3-WAY FLOW DEFLECT VALVE "AP...C" - CLOSED CENTRE - HIGH PRESSURE



Varenr. Code	P A-B BSP	Q MAX l/min	P MAX bar	Type	L	L1	L2	ØG	E	E1	H	kg
V71367.C00600	3/8"	60	450	DDF3 AP 020 C	68	21	135	8,5	30	24.75	62	1,38
V71367.C00800	1/2"	90	400	DDF3 AP 030 C	83	24	130	10.5	36.5	30	71	2,38
V71367.C01200	3/4"	120	350	DDF3 AP 040 C	87	28	130	11	32	30.5	80	2,88
V71367.C01600	1"	180	320	DDF3 AP 050 C	106	31.5	160	11	60	38	89	4,76

RØRMONTERING
LINE MOUNTING

MATERIALE - MATERIAL : STØBEJERN - CAST IRON
(forzinket krop - zinc-plated body)