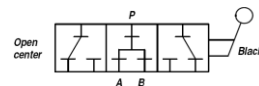
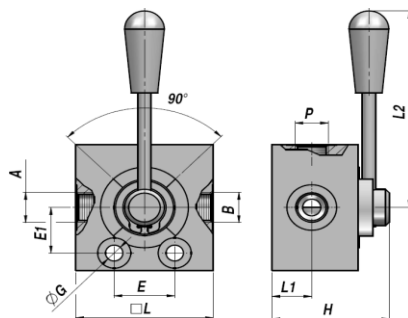
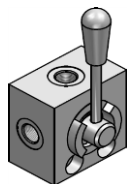


RETNINGSVENTILER - HYDRAULIC DIRECTIONAL CONTROL VALVES

DDF 3 AP ...A

**3 VEJS HØJTRYK OMSKIFTER VENTIL "AP...A" - ÅBEN CENTER
3-WAY FLOW DEFLECT VALVE "AP...A" - OPEN CENTRE - HIGH PRESSURE**



Varenr. Code	P A-B BSP	Q MAX l/min	P MAX bar	Type	L	L1	L2	ØG	E	E1	H	kg
V71367.A00600	3/8"	60	450	DDF3 AP 020 A	68	21	135	8.5	30	24.75	62	1,38
V71367.A00800	1/2"	90	400	DDF3 AP 030 A	83	24	130	10.5	36.5	30	71	2,38
V71367.A01200	3/4"	120	350	DDF3 AP 040 A	87	28	130	11	32	30.5	80	2,88
V71367.A01600	1"	180	320	DDF3 AP 050 A	106	31,5	160	11	60	38	89	4,76

RØRMONTERING
LINE MOUNTING

MATERIALE - MATERIAL : STØBEJERN - CAST IRON
(forzinket krop - zinc-plated body)