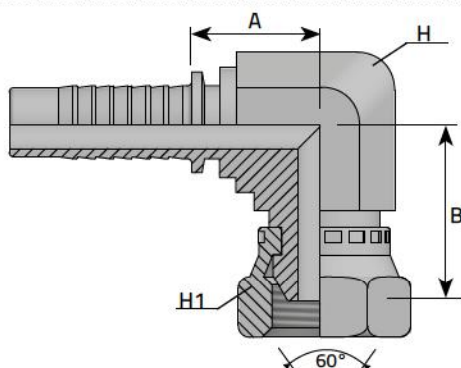


## BSPP FEMALE - 90° ELBOW (COMPACT FORGED)



FEMMINA 90° BSPP SV 60° COMPATTA  
 FEMELLE 90° BSPP COMPACTE CÔNE 60°  
 DKR 90° KOMPAKT  
 HEMBRA GIRATORIA A 90° BSPP COMPACTA

Code	Tube		Thread			Dimensions				Pressure	
	D.N.	Hose	Diam	T	t/1"	H	H1	B	A	Bar	Psi
	Inch		mm	Inch		mm	mm	mm	mm		
F90G0404K	-4	1/4"	6.4	1/4"	19	14	19	26.7	19	450	6526
F90G0406K	-4	1/4"	6.4	3/8"	19	19	22	28	21.5	450	6526
F90G0506K	-5	5/16"	7.9	3/8"	19	19	22	28	21.5	350	5076
F90G0606K	-6	3/8"	9.5	3/8"	19	19	22	28	21.5	450	6526
F90G0608K	-6	3/8"	9.5	1/2"	14	22	27	32.5	24	450	6526
F90G0808K	-8	1/2"	12.8	1/2"	14	22	27	32.5	24	415	6019
F90G1212K	-12	3/4"	19	3/4"	14	27	32	39.5	25	350	5076
F90G1616K	-16	1"	25.4	1"	11	33	38	43.5	32.5	280	4061