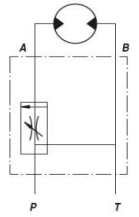
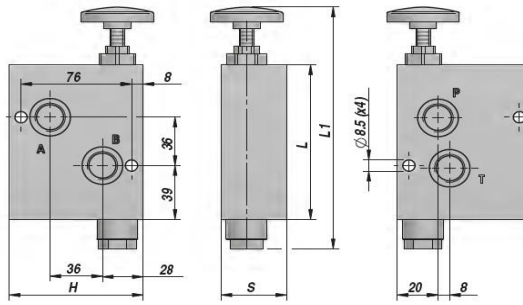
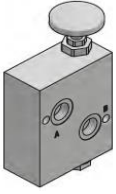


VENTILER - FLOW CONTROL VALVES

**BVR05**

PRIORITETS DRØVLEKONTRA VENTIL FOR "MPP-MPR-MCP-MCR" MOTOR  
 PRIORITY FLOW CONTROL FOR "MPP-MPR-MCP-MCR" MOTORS



JUSTERBAR - ADJUSTABLE

REST OLIE TIL TANK - EXCEEDING FLOW TO TANK

Varenr. Code	A - B BSP	Q MAX l/min	P MAX bar	Type	L	L1 max	H	S	kg
VBVR012050	1/2"	60	250	BVR 12.05	115	185	92	45	3.25

FLANGE MONTERING  
 FACE MOUNTING

MATERIALE - MATERIAL : STÅL - STEEL