

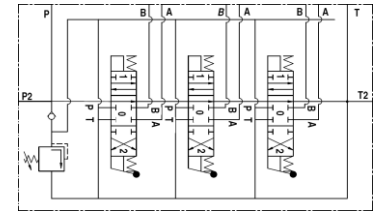
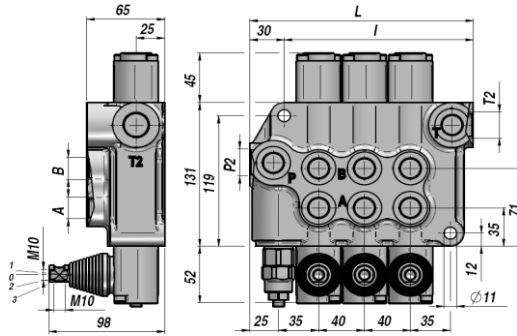
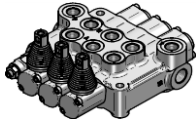
MANØVRE VENTILER - MONOBLOCK VALVES

BM 70

Q_n
65 l/min

Q MAX
90 l/min

MANØVRE VENTIL
MONOBLOCK VALVE



Varenr. Code	Type	N° sektioner Sections No.	Gevind - Threads					PN bar	P MAX U bar	P MAX S bar	L	I	kg
			A-B BSP	P BSP	T BSP	P2 BSP	T2 BSP						
DBM4111020	BM 70/1/GU/MO A1	1									117	66	4.60
DBM4211001	BM 70/2/GU/MO A1x2	2								157	106	7.00	
DBM4311001	BM 70/3/GU/MO A1x3	3								197	146	9.20	
DBM4411001	BM 70/4/GU/MO A1x4	4	1/2"	1/2"	1/2"	3/4"	3/4"	250	320	80	237	186	11.50
DBM4511001	BM 70/5/GU/MO A1x5	5									277	226	13.70
DBM4611001	BM 70/6/GU/MO A1x6	6									317	266	16.00

PN = Max. arbejdsdruk - Nominal pressure

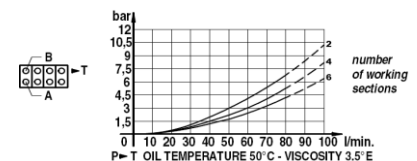
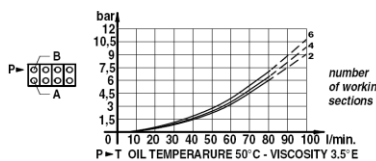
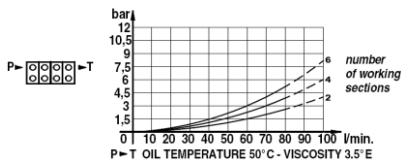
P MAX U = Max. spidsbelastning - Max. pressure on ports

P MAX S = Max. returtryk - Max. pressure in tank-line

Overtryksventil - Relief Valve : X=30:90bar (70) - U=80:230bar (140) (Standard) - K=150:300bar (200)

OVENSTÅENDE VARENUMRE BESTÅR AF - THESE CODES REFER TO:

DOBBELTVIRKENDE - 3 POSITIONER - FJEDER RETUR - A/B PORTE LUKKET - BSP GEVIND - FORBEREDT FOR TRYKVIDEREFØRING
DOUBLE ACTING TYPE - 3 POSITIONS - SPRING RETURN - A/B PORTS CLOSED - BSP THREADS - MACHINED FOR CARRY-OVER



SPOLE TYPE SPOOL TYPE	
A	
B	
C	
D	
L	
Z	

POSITIONER SPOOL CONTROL	
1	
2	
3	
6	
7	
8	
12	
42	

PÅ FORESPØRSEL ON REQUEST	
MC	manual operator with cam
DO	cam operator
JS	joystick
1P	luftstyret pneumatic operator
HO	hydraulisk styret hydraulic operator
MSW	microswitch
CO	Trykvidereføring power beyond (carry over)
CCP	Prop for lukket center closed center plug