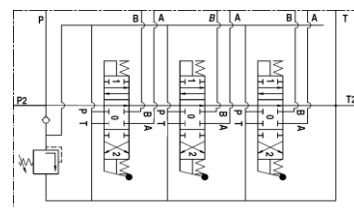
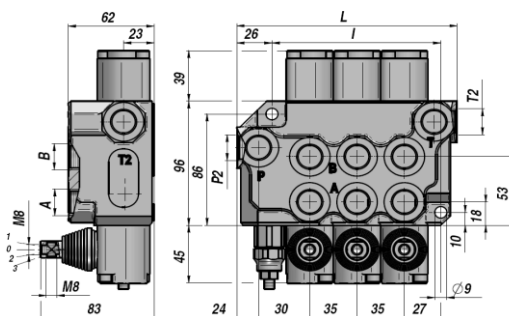
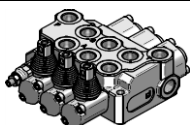


**MANØVRE VENTILER - MONOBLOCK VALVES**

**BM 50**

**Q<sub>n</sub> 50 l/min**  
**Q MAX 60 l/min**

**MANØVRE VENTIL  
MONOBLOCK VALVE**



Varenr. Code	Type	N° sektioner Sections No.	Gevind - Threads					PN bar	P MAX U bar	P MAX S bar	L	I	kg
			A-B BSP	P BSP	T BSP	P2 BSP	T2 BSP						
DBM3111001	BM 50/1/GU/MO A1	1									94	55	2.80
DBM3211001	BM 50/2/GU/MO A1x2	2									129	90	4.20
DBM3311001	BM 50/3/GU/MO A1x3	3									164	125	5.50
DBM3411001	BM 50/4/GU/MO A1x4	4	1/2"	1/2"	1/2"	1/2"	1/2"	250	320	80	199	160	6.70
DBM3511001	BM 50/5/GU/MO A1x5	5									234	195	7.90
DBM3611001	BM 50/6/GU/MO A1x6	6									269	230	9.30
DBM3811001	BM 50/8/GU/MO A1x8	8									339	300	12.80

PN = Max. arbejdsdruk - Nominal pressure

P MAX U = Max. spidsbelastning - Max. pressure on ports

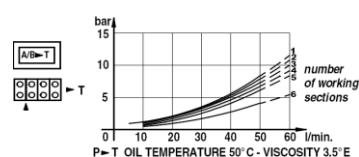
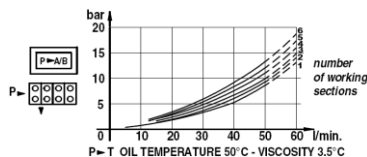
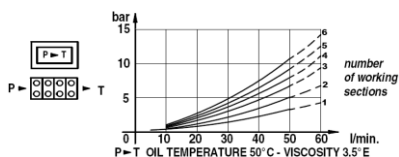
P MAX S = Max. returtryk - Max. pressure in tank-line

Overtryksventil - Relief Valve : X=30:90bar (70) - U=80:230bar (140) (Standard) - K=150:300bar (200)

OVENSTÅENDE VARENUMRE BESTÅR AF - THESE CODES REFER TO:

DOBBELTVIRKENDE - 3 POSITIONER - FJEDER RETUR - A/B PORTE LUKKET - BSP GEVIND - FORBEREDT FOR TRYKVIDEREFØRING

DOUBLE ACTING TYPE - 3 POSITIONS - SPRING RETURN - A/B PORTS CLOSED - BSP THREADS - MACHINED FOR CARRY-OVER



	<b>SPOLE TYPE SPOOL TYPE</b>
<b>A</b>	
<b>B</b>	
<b>C</b>	
<b>D</b>	
<b>L</b>	
<b>Z</b>	

	<b>POSITIONER SPOOL CONTROL</b>
<b>1</b>	
<b>2</b>	
<b>3</b>	
<b>6</b>	
<b>7</b>	
<b>8</b>	
<b>12</b>	
<b>42</b>	

	<b>PÅ FORESPØRGSEL ON REQUEST</b>
<b>MC</b>	manual operator with cam
<b>MX</b>	sikkerhedshåndtag safety lever
<b>DO</b>	cam operator
<b>JS</b>	joystick
<b>1P</b>	luftstyret pneumatic operator
<b>MSW</b>	microswitch
<b>CO</b>	Trykvidereføring power beyond ( carry over )
<b>CCP</b>	Prop for lukket center closed center plug