

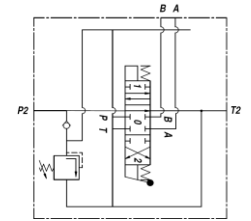
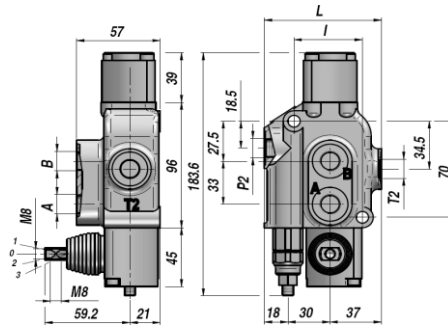
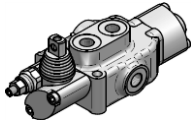
MANØVRE VENTILER - MONOBLOCK VALVES

BM 30

Q_n
35 l/min

Q MAX
45 l/min

MANØVRE VENTIL
MONOBLOCK VALVE



Varenr. Code	Type	N° sektioner Sections No.	Gevind - Threads					PN bar	P MAX U bar	P MAX S bar	L	I	kg
			A-B BSP	P BSP	T BSP	P2 BSP	T2 BSP						
DBM1111001	BM 30/1/GU/MO A1	1	3/8"	-	-	3/8"	3/8"	250	-	80	85	46	2.20

BEMÆRK : IKKE FORBEREDT FOR TRYKVIDEREFØRING
PLEASE NOTE : NOT MACHINED FOR CARRY-OVER

PN = Max. arbejdsdruk - Nominal pressure

P MAX U = Max. spidsbelastning - Max. pressure on ports

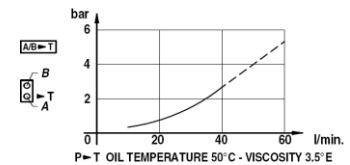
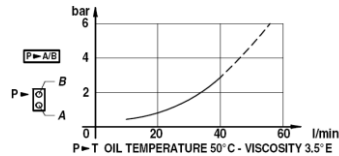
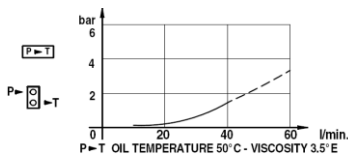
P MAX S = Max. returtryk - Max. pressure in tank-line

Overtryksventil - Relief Valve : X=30:90bar (70) - U=80:230bar (140) (Standard) - K=150:300bar (200)

OVENSTÅENDE VARENUMMER BESTÅR AF - THESE CODES REFER TO :

DOBBELTVIRKENDE - 3 POSITIONER - FJEDER RETUR - A/B PORTE LUKKET - BSP GEVIND

DOUBLE ACTING TYPE - 3 POSITIONS - SPRING RETURN - A/B PORTS CLOSED - BSP THREADS



SPOLE TYPE SPOOL TYPE		POSITIONER SPOOL CONTROL		PÅ FORESPØRGSEL ON REQUEST	
A		1		MC	manual operator with cam
B		2		MX	sikkerhedshåndtag safety lever
C		3		DO	cam operator
D		6		1P	luftstyret pneumatic operator
L		7		MSW	microswitch
Z		12			
		42			