

# MANØVRE VENTILER - MONOBLOCK VALVES

## BM 150

Qn  
140 l/min

Q MAX  
180 l/min

## BM 180

Qn  
170 l/min

Q MAX  
190 l/min

## MANØVRE VENTIL MONOBLOCK VALVE

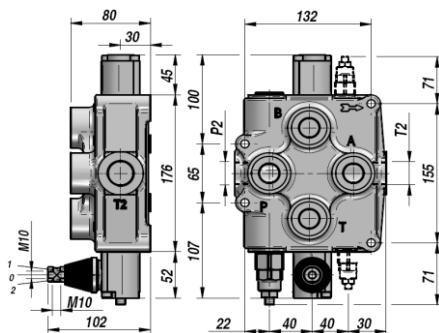
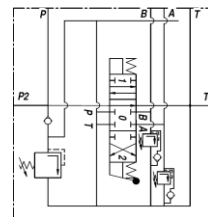


DIAGRAM WITH "VLC - AB"



Varenr. Code	Type	N° sektioner Sections No.	Gevind - Threads					PN bar	P MAX U bar	P MAX S bar	L	I	kg
			A-B BSP	P BSP	T BSP	P2 BSP	T2 BSP						
DBM6111001	BM150/1/GU/MO A1	1	3/4"	3/4"	3/4"	1"	1"	250	320	80	160	132	8,20
DBM7111001	BM180/1/GU/MO A1	1	1"	1"	1"	1"	1"	250	320	80	160	132	8,20

PN = Max. arbejdsdruk - Nominal pressure

P MAX U = Max. spidsbelastning - Max. pressure on ports

P MAX S = Max. returtryk - Max. pressure in tank-line

Overtryksventil - Relief Valve : X=30:90bar (70) - U=80:230bar (140) (Standard) - K=150:300bar (200)

### PÅ FORESPØRGSEL - ON REQUEST : HJÆLPE VENTILER - AUXILIARY VALVES

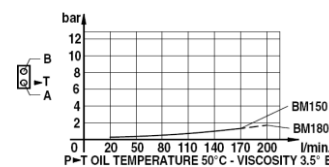
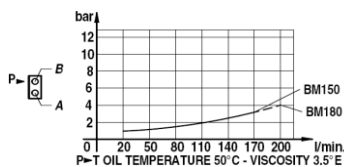
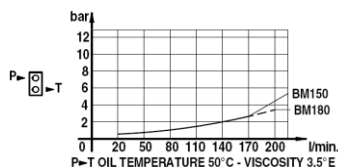
VL = OVERTRYKSVENTIL - RELIEF VALVE

VC = ANTICAVITATION VALVE

VLC = RELIEF VALVE AND ANTICAVITATION VALVE

OVENSTÅENDE VARENUMRE BESTÅR AF - THESE CODES REFER TO:

DOBBELTVIRKENDE - 3 POSITIONER - FJEDER RETUR - A/B PORTE LUKKET - BSP GEVIND - FORBEREDT FOR TRYKVIDEREFØRING  
DOUBLE ACTING TYPE - 3 POSITIONS - SPRING RETURN - A/B PORTS CLOSED - BSP THREADS - MACHINED FOR CARRY-OVER



SPOLE TYPE SPOOL TYPE	
A	
B	
C	
D	

POSITIONER SPOOL CONTROL	
1	
2	
3	
6	
7	
8	

PÅ FORESPØRGSEL ON REQUEST	
MC	manual operator with cam
DO	cam operator
1P	luftstyret pneumatic operator
HO	hydraulisk styret hydraulic operator
MSW	microswitch
CO	Trykvidereføring power beyond ( carry over )
CCP	Prop for lukket center closed center plug