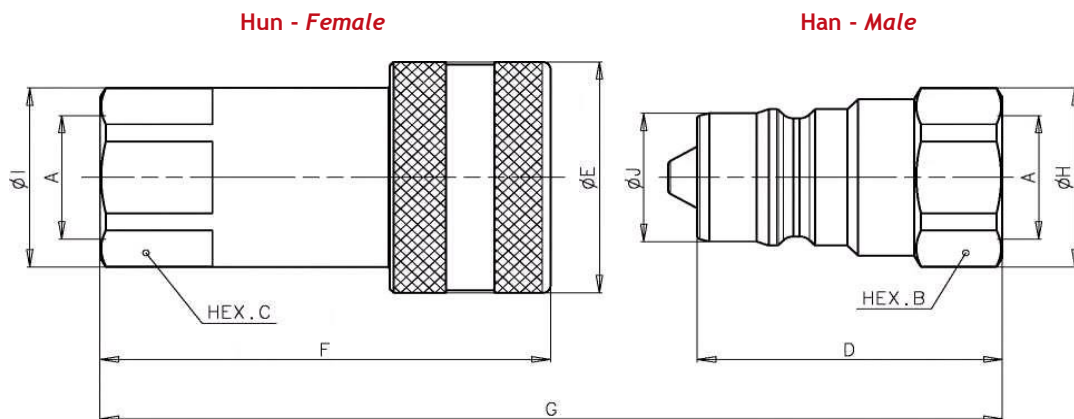


BIR

LYNKOBLING "BIR" - ISO 7241-1 A
QUICK COUPLING "BIR" - ISO 7241-1 A



| Varenr. / Code | | Betegnelse Description | A | mm | | | | | | | | | | Vægt / Weight (kg) | |
|----------------|-------------|---------------------------|--------|----|----|------|-----|-------|-------|------|------|------|------|--------------------|--|
| Hun / Female | Han / Male | | | B | C | D | E | F | G | H | I | J | Male | Female | |
| 80050000ST | 800500001ST | BIR14 BSP | 1/4" | 19 | 19 | 32 | 26 | 47.1 | 64.8 | 20.8 | 22 | 11.8 | 0.03 | 0.10 | |
| 800500002ST | 800500003ST | BIR38 BSP | 3/8" | 22 | 22 | 38 | 31 | 56.1 | 76.8 | 24 | 24 | 17.3 | 0.05 | 0.14 | |
| 800500004ST | 800500005ST | BIR12 BSP | 1/2" | 27 | 27 | 44.5 | 38 | 63.3 | 86.3 | 29 | 30 | 20.5 | 0.08 | 0.25 | |
| 800500006ST | 800500007ST | BIR34 BSP | 3/4" | 36 | 38 | 55 | 48 | 82.2 | 111.1 | 38.5 | 44 | 29.1 | 0.21 | 0.49 | |
| 800500008ST | 800500009ST | BIR100 BSP | 1" | 41 | 45 | 63.1 | 54 | 97.1 | 127.3 | 44.8 | 52 | 34.3 | 0.28 | 0.76 | |
| 800500010ST | 800500011ST | BIR114 BSP | 1 1/4" | 55 | 50 | 75 | 65 | 117.2 | 151.2 | 60 | 55.5 | 45 | 0.59 | 1.25 | |
| 800500012ST | 800500013ST | BIR112 BSP | 1 1/2" | 60 | 60 | 85 | 80 | 135.3 | 171.3 | 65.5 | 65.5 | 55 | 0.88 | 2.13 | |
| 800500014ST | 800500015ST | BIR200 BSP | 2" | 75 | 75 | 100 | 100 | 160.2 | 201.2 | 82.5 | 83.7 | 65 | 1.44 | 4.13 | |

Standard tætninger - Standard seals: NBR (Nitrile)
Arbejdstemperatur - Working temperature: -20° C til/ to 100° C

På forespørgsel - On request: Viton pakninger - Viton seals

PC version: Special ventil muliggør samling under tryk enten på han eller på hun siden.
PC version: Special valve to connect under residual pressure possible either on male or on female side.

| Varenr. / Code | | Betegnelse Description | A | mm | | | | | | | | | | Vægt / Weight (kg) | |
|----------------|-------------|---------------------------|------|----|----|------|----|------|------|----|----|------|------|--------------------|--|
| Hun / Female | Han / Male | | | B | C | D | E | F | G | H | I | J | Male | Female | |
| 805600002ST | 805600003ST | BIR12PC BSP | 1/2" | 27 | 27 | 44.5 | 38 | 63.3 | 86.3 | 29 | 30 | 20.5 | 0.08 | 0.25 | |

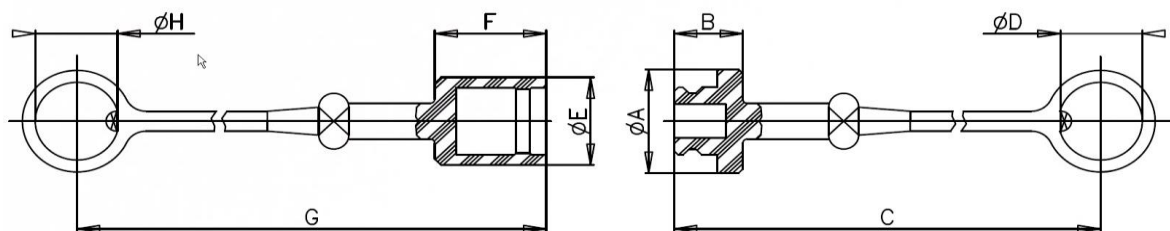
BIR

BESKYTTESHÆTTE FOR TYPE "BIR" - ISO 7241-1 A
PVC CAPS FOR TYPE "BIR" - ISO 7241-1 A



For BIR Han - Male

For BIR Hun - Female



| Varenr. Code | Betegnelse Description | Passer til Kobling/ Fits coupling | mm | | | | | | | | | | Farve Colour | Vægt Weight |
|-----------------|---------------------------|--------------------------------------|----|----|-----|------|----|-----|------|---|--|--|-----------------|----------------|
| | | | A | B | C | D | E | F | G | H | | | | |
| 815000012ST | Prop - Plug 1/4" | 800500000ST | 20 | 16 | 223 | 19.5 | | | | | | | Rød | 0.01 |
| 815000013ST | Hætte - Cap 1/4" | 800500001ST | | | | 18 | 23 | 230 | 19.5 | | | | Rød | 0.01 |
| 815000014ST | Prop - Plug 3/8" | 800500002ST | 26 | 16 | 223 | 22.5 | | | | | | | Rød | 0.02 |
| 815000015ST | Hætte - Cap 3/8" | 800500003ST | | | | 24 | 27 | 234 | 22.5 | | | | Rød | 0.02 |
| 815000004ST | Prop - Plug 1/2" | 800500004ST | 33 | 20 | 273 | 28 | | | | | | | Rød | 0.02 |
| 815000005ST | Hætte - Cap 1/2" | 800500005ST | | | | 29 | 32 | 239 | 28 | | | | Rød | 0.02 |
| 815004004ST | Prop - Plug 1/2" | 800500004ST | 33 | 20 | 273 | 28 | | | | | | | Grøn | 0.02 |
| 815004005ST | Hætte - Cap 1/2" | 800500005ST | | | | 29 | 32 | 239 | 28 | | | | Grøn | 0.02 |
| 815001016ST | Prop - Plug 3/4" | 800500006ST | 40 | 19 | 266 | 32 | | | | | | | Gul | 0.03 |
| 815001017ST | Hætte - Cap 3/4" | 800500007ST | | | | 36 | 41 | 288 | 32 | | | | Gul | 0.03 |
| 815000018ST | Prop - Plug 1" | 800500008ST | 45 | 24 | 271 | 38 | | | | | | | Rød | 0.04 |
| 815000019ST | Hætte - Cap 1" | 800500009ST | | | | 42 | 48 | 295 | 38 | | | | Rød | 0.04 |

BIR

LYNKOBLING "BIR" - ISO 7241-1 A
 QUICK COUPLING "BIR" - ISO 7241-1 A

| Description | Size Inch | ISO Size mm | Rated flow | | Max. Flow | | Connect force | | Disconnect force | | Spillage * ml |
|-------------|--------------|----------------|------------|--------|-----------|--------|---------------|-------|------------------|-------|------------------|
| | | | l/min | GPM | l/min | GPM | N | lbf | N | lbf | |
| BIR14 | 1/4" | 6.3 | 12 | 3.18 | 12 | 3.18 | 60 | 13.50 | 25 | 5.63 | 0.70 |
| BIR38 | 3/8" | 10.0 | 23 | 6.10 | 46 | 12.19 | 90 | 20.25 | 30 | 6.75 | 1.20 |
| BIR12 | 1/2" | 12.5 | 45 | 11.93 | 90 | 23.85 | 70 | 15.75 | 55 | 12.38 | 2.10 |
| BIR34 | 3/4" | 20.0 | 74 | 19.61 | 148 | 39.22 | 140 | 31.50 | 55 | 12.38 | 5.20 |
| BIR100 | 1" | 25.0 | 100 | 26.50 | 200 | 53.00 | 190 | 42.75 | 55 | 12.38 | 9 |
| BIR114 | 1 1/4" | 31.5 | 189 | 50.09 | 378 | 100.17 | 230 | 51.75 | 55 | 12.38 | 27 |
| BIR112 | 1 1/2" | 40.0 | 288 | 76.32 | 750 | 198.75 | 250 | 56.25 | 100 | 22.50 | 49 |
| BIR200 | 2" | 50.0 | 379 | 100.44 | 1000 | 265.00 | 280 | 63.00 | 35 | 7.88 | 75 |

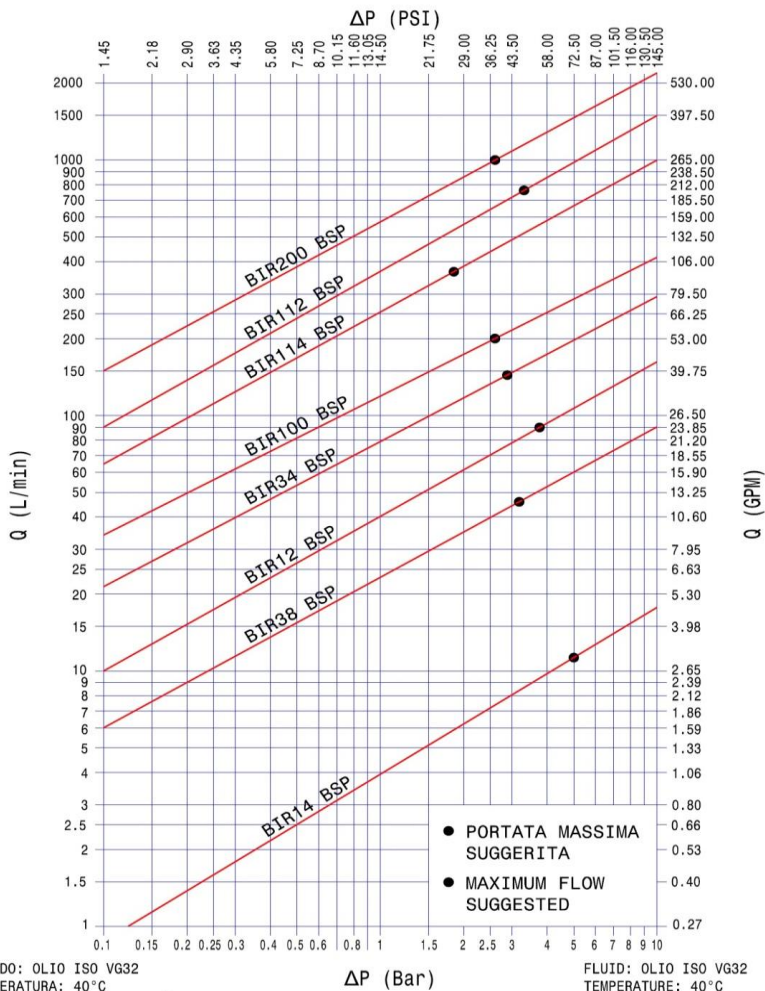
| Description | Size Inch | Max. operating pressure | | | | | | Burst pressure | | | | | |
|-------------|--------------|-------------------------|------|------|------|--------|------|----------------|-------|------|-------|--------|-------|
| | | Coupled | | Male | | Female | | Coupled | | Male | | Female | |
| | | MPa | psi | MPa | psi | MPa | psi | MPa | psi | MPa | psi | MPa | psi |
| BIR14 | 1/4" | 35 | 5075 | 35 | 5075 | 35 | 5075 | 126 | 18270 | 126 | 18270 | 126 | 18270 |
| BIR38 | 3/8" | 30 | 4350 | 30 | 4350 | 30 | 4350 | 100 | 14500 | 100 | 14500 | 100 | 14500 |
| BIR12 | 1/2" | 25 | 3625 | 25 | 3625 | 25 | 3625 | 80 | 11600 | 80 | 11600 | 100 | 14500 |
| BIR34 | 3/4" | 25 | 3625 | 25 | 3625 | 25 | 3625 | 100 | 14500 | 100 | 14500 | 100 | 14500 |
| BIR100 | 1" | 23 | 3335 | 23 | 3335 | 23 | 3335 | 80 | 11600 | 80 | 11600 | 80 | 11600 |
| BIR114 | 1 1/4" | 23 | 3335 | 23 | 3335 | 23 | 3335 | 80 | 11600 | 80 | 11600 | 80 | 11600 |
| BIR112 | 1 1/2" | 18 | 2610 | 18 | 2610 | 13 | 1885 | 64 | 9280 | 64 | 9280 | 64 | 9280 |
| BIR200 | 2" | 13 | 1885 | 13 | 1885 | 13 | 1885 | 40 | 5800 | 40 | 5800 | 40 | 5800 |

* Spillage is an indicative value of the fluid loss per couple-uncouple cycle.

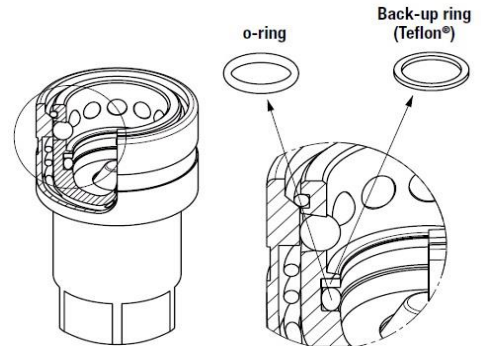
Temperature range:

- Standard seals NBR (Nitrile): from -20 °C to +100 °C (from -4 °F to +212 °F).
- VITON seals: from -15 °C to +180 °C (from +5 °F to +356 °F).

TEST ESEGUITI IN CONFORMITA' A ISO 7241-2
 TEST IN ACCORDANCE WITH ISO 7241-2



SEAL KIT FOR "BIR" HUN
 SEAL KIT FOR "BIR" FEMALE



| Varenr. Code | Size | Betegnelse Description |
|-----------------|--------|---------------------------|
| 815700170ST | 1/4" | F BIR14 (OR) |
| 815700172ST | 3/8" | F BIR38 (OR+BK) |
| 815700174ST | 1/2" | F BIR12 (OR+BK) |
| 815700176ST | 3/4" | F BIR34 (OR+BK) |
| 815700178ST | 1" | F BIR100 (OR+BK) |
| 815700180ST | 1 1/4" | F BIR114 (OR+BK) |
| 815700182ST | 1 1/2" | F BIR112 (OR+BK) |
| 815700184ST | 2" | F BIR200 (OR+BK) |