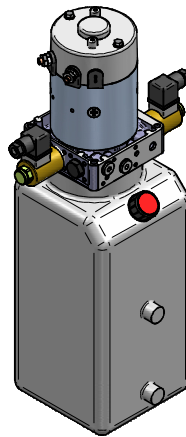
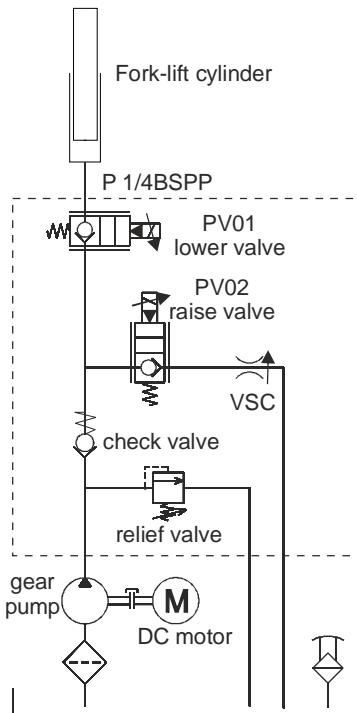
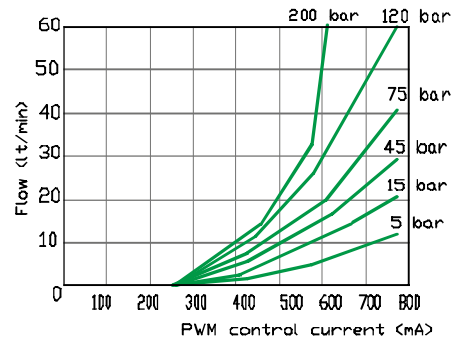


Hydraulic Proportional Power Pack and Electronic Driver for fork-lifts

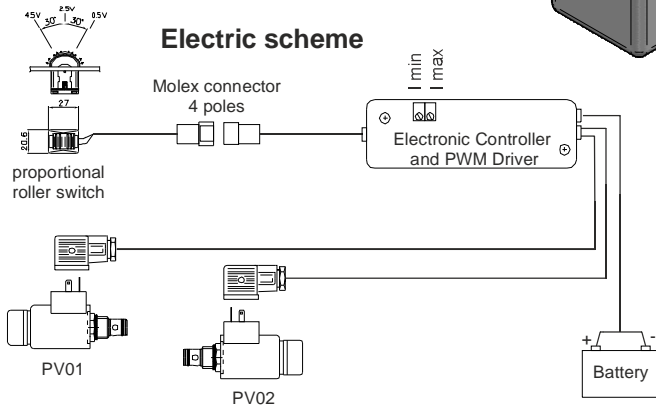
Hydraulic scheme



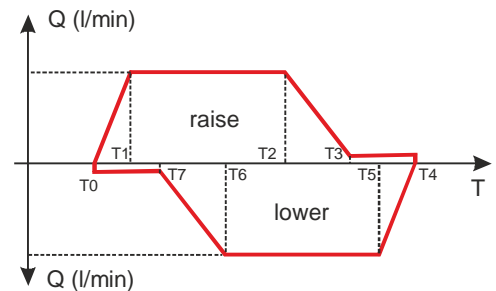
Flow (l/min) vs PWM Current (A) at different load induced pressure



Electric scheme



Typical flow / speed cycle



Description: this proportional hydraulic power pack is used in the lifting system of modern high performance fork-lifts and stackers. It is built with standard core parts from Hydronit extended **PPC Compact Power Pack** range, ensuring a **wide choice** of motor/pump combination, **high reliability** (tens of thousands of PPC packs are now running in over 40 countries worldwide), **high efficiency**, **high performance** (flow up to 25 l/min, pressure up to 300 bar, motors up to 4kW, 12 or 24VDC, with or without fan cooling), **low pressure drop** (allowing a free and quick return of the forks even if unloaded) and **competitive** prices, thanks to the mass production of the parts.

Functionality:

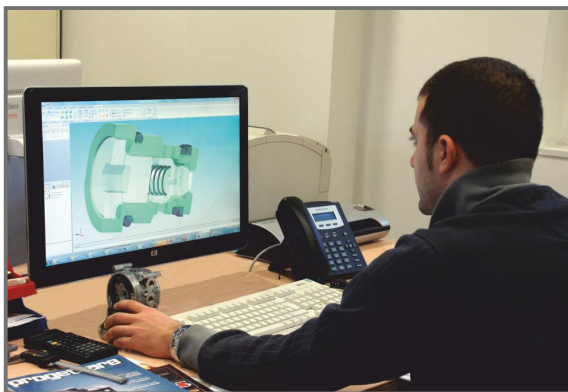
To raise, rotate the proportional roller towards raise position to start the power unit motor and to switch the proportional valve PV02 from fully closed to fully open after 5° rotation angle. Progressively rotate the roller to proportionally control the PV02 valve from fully open to fully closed in response to a variable PWM signal, obtaining a precise control of the lifting speed, independently on the load.

To lower, rotate the proportional roller towards lower position to switch the PV02 proportional valve from fully closed to fully open, while the motor is off.

Progressively rotate the roller to proportionally control the PV01 valve from fully closed to fully open in response to a variable PWM signal, obtaining a precise control of the lowering speed, independently on the load. The VSC pressure compensated flow control valve ensures that unsafe lowering speed are NEVER reached.

Why choose Hydronit?

- Complete **focus** on hydraulic power pack parts & system design, continuous **research, development** and **innovation**
- Organization fully based on processes and **Total Quality Management** principles, certified **ISO9001:2008** (Quality) and **ISO50001:2011** (Energy Efficiency)
- **Lean** and **energy efficient** product design and production
- **Know-how** on hydraulic components as well as on system and application design
- **Flexible marketing policy**: supply of loose hydraulic components and power packs either in kit or fully assembled and tested
- Associated companies, distributors, service centers and partners in over **40 countries worldwide**



if it moves... we can power it!



Hydronit Srl
 via Pastrengo 62
 20814 Varedo - Italy
 Phone: +39 0232 0625 145
 +39 0362 1841 210
 Fax: +39 0362 1841 214
 E-mail: info@hydronit.com
www.minipowerpacks.com
www.hydronit.com



© Hydronit Srl - All rights reserved
 Printed in Italy