



**BREVINI<sup>®</sup>**

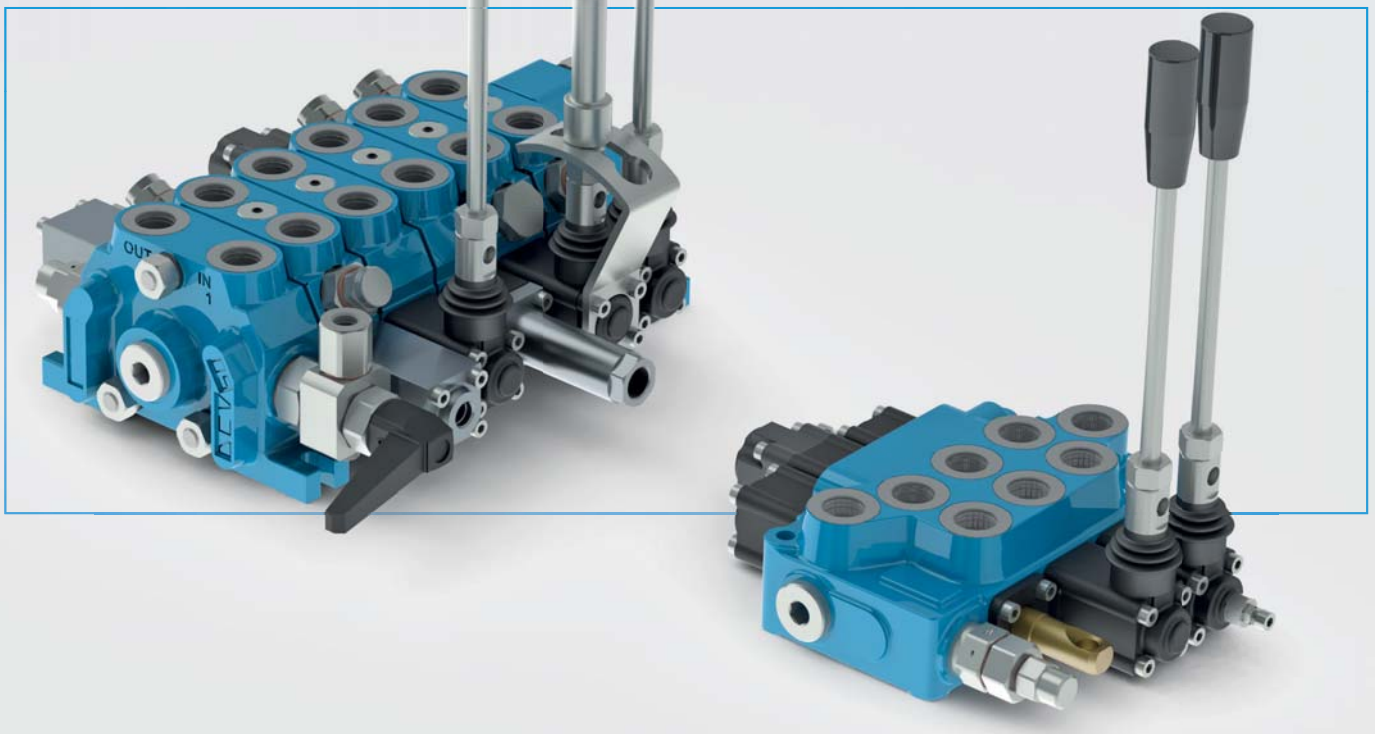
*Motion Systems*

## DCV MONOBLOCK AND MODULAR VALVES

**Technical Catalogue**

January  
**2018**

*web edition*





## Table of contents

<b>Technical information</b> .....	<b>2</b>
<b>General specifications</b> .....	<b>4</b>
<b>MONOBLOCK VALVES</b>	
<b>Mobile valves DCV20</b> .....	<b>5</b>
<b>Mobile valves DCV40</b> .....	<b>7</b>
<b>Ordering code</b> .....	<b>9</b>
<b>Inlet sections</b> .....	<b>11</b>
<b>Working sections</b> .....	<b>13</b>
<b>Outlet sections</b> .....	<b>25</b>
<b>MODULAR VALVES</b>	
<b>Modular valve DCV30</b> .....	<b>26</b>
<b>Modular valve DCV50</b> .....	<b>28</b>
<b>Modular valve DCV80</b> .....	<b>30</b>
<b>Modular valve DCV MG</b> .....	<b>32</b>
<b>Ordering code</b> .....	<b>34</b>
<b>Inlet sections</b> .....	<b>36</b>
<b>Working sections</b> .....	<b>39</b>
<b>Intermediate sections</b> .....	<b>54</b>
<b>Outlet sections</b> .....	<b>59</b>

© 2018 Dana Brevini S.p.A. all rights reserved. Hydr-App, SAM Hydraulik, Aron, Brevini Hydraulics, BPE Electronics, VPS Brevini, OT Oiltechnology, logos are trademarks or are registered trademarks of Dana Brevini S.p.A. or other companies Dana in Italy and other countries.

The technical features supplied in this catalogue are non binding and no legal action can be taken against such material. Dana Brevini will not be held responsible for information and specifications which may lead to error or incorrect interpretations. Given the continuous technical research aimed at improved technical features of our products, Dana Brevini reserves the right to make change that are considered appropriate without any prior notice. This catalogue cannot be reproduced (in whole or in part) without the prior written consent of Dana Brevini. This catalogue supersedes all previous ones.

Use of the products in this catalogue must comply with the operating limits given in the technical specifications. The type of application and operating conditions must be assessed as normal or in malfunction in order to avoid endangering the safety of people and/or items..

## INTRODUCTION

Read this instructions carefully before installation. All operations must be carried out by qualified personnel following the instructions.

The user must periodically inspect, based on the conditions of use and the substances used, the presence of corrosion, dirt, the state of wear and correct function of the valves.

## HYDRAULIC FLUID

Use only mineral oil (HL, HLP) according to DIN 51524. Use of other different fluids may damage the good operation of the valve.

## VISCOSITY

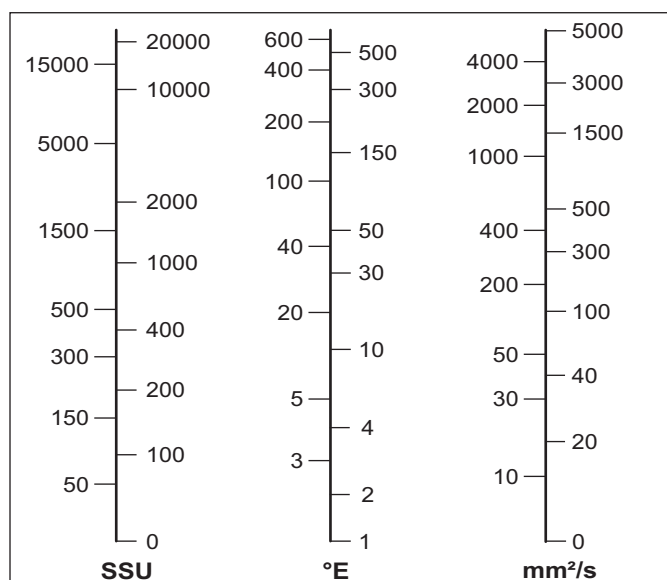
The oil viscosity must be in the range of 10 mm<sup>2</sup>/s to 500 mm<sup>2</sup>/s. Recommended oil viscosity 46 mm<sup>2</sup>/s (32 mm<sup>2</sup>/s for Cartridge valves)

Table 1: ISO viscosity grades

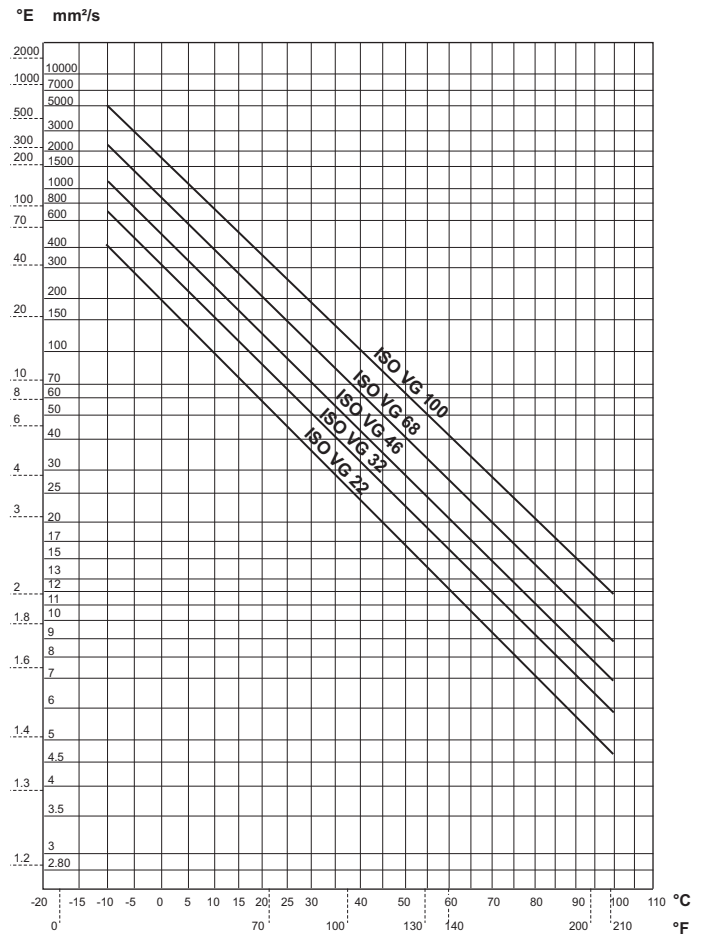
Viscosity grade	Average kinematic viscosity mm <sup>2</sup> /s @ 40°C	Kinematic-viscosity limits mm <sup>2</sup> /s @ 40°C	
		min.	max.
ISO VG 10	10	9.00	11.0
ISO VG 15	15	13.5	16.5
ISO VG 22	22	19.8	24.2
ISO VG 32	32	28.8	35.2
ISO VG 46	46	41.4	50.6
ISO VG 68	68	61.2	74.8
ISO VG 100	100	90.0	110

= Values used in the chart "Oil viscosity according to temperature"

## CONVERSION TABLE SSU / °E / mm<sup>2</sup>/s



## OIL VISCOSITY ACCORDING TO TEMPERATURE



## CONTAMINATION

Oil contamination is the main cause of faults and malfunction in hydraulic systems. Abrasive particles in the fluid erode or block moving parts, leading to system malfunction.

The valves we are offering do not require filtering characteristics any higher than those needed for usual hydraulic components such as pumps, motors, etc.

However, accurate filtering does guarantee reliability and a long life to all the system's hydraulic parts. Reliable performance and long working life for all oil-pressure parts is assured by maintaining the level of fluid contamination within the limits specified in the data sheet of the valve.

Hydraulic fluid must also be cleaned properly before filling the hydraulic circuit, especially when commissioning a new system, as this is when the oil contamination generally peaks due to its flushing effect on the components, and the running-in of the pump.

Maximum contamination level is required on datasheet of the valve according to ISO 4406:1999.

In the following table there is the correspondence between ISO 4406:1999 and old standard NAS 1638 for information purpose:

The standard ISO 4406:1999 defines the contamination level with three numbers that relate with the number of particles of average dimension equal or greater than 4 µm, 6 µm e 14 µm, in 1 ml of fluid.

In following table there is a reference to recommended contamination level and correspondence with old NAS 1638 standard.

Table 2: Recommended contamination level.

Type of system Type of valve	Oil filtration recommendations		
	Cleanliness class recommended		Absolute filtration micron rating (**)
	ISO 4406 : 1999	NAS 1638 (*)	
Systems or components operating at HIGH PRESSURE > 250 bar (3600 psi) HIGH DUTY CYCLE APPLICATIONS Systems or components with LOW dirt tolerance	18 / 16 / 13	7 - 8	5
Systems or components operating at MEDIUM / HIGH PRESSURE Systems and components with moderate dirt tolerance	19 / 17 / 14	9	10
Systems or components operating at LOW PRESSURE < 100 bar (1500 psi) LOW DUTY CYCLE APPLICATIONS Systems and components with GOOD dirt tolerance	20 / 18 / 15	10 - 11	20

\* Contamination class NAS 1638: it is determined by counting the total particles of different size ranges contained in 100 ml of fluid.

\*\* Absolute filtration: it is a characteristic of each filter, it refers the size (in micron) of the largest spherical particle which may pass through the filter.

## WORKING TEMPERATURES

Ambient temperature range: -25°C to +60°C

Fluid temperature range (NBR seals): -25°C to +80°C

Thermal shocks can affect the performance and the expected life of the product, hence it is necessary to protect the product from these conditions.

## SEALS

O-rings made in Acrylonitrile Butadiene (NBR) are normally fitted on the valves. The backup rings that protect the O-rings are also made in NBR, or sometimes PTFE. Both the O-rings and the backup rings are suitable for the working temperatures mentioned above.

For different temperatures, contact our sales department.

## ELECTRICAL POWER SUPPLY

The combination of permanent overvoltage and very hot temperatures can stress the solenoid. Therefore always a good heat dissipation and voltage level has to be assured.

## INSTALLATION

The feet of the valve must always and perfectly rest on a plane surface. Do not tamper the tie rod nuts (control valves) to avoid damaging the distributor.

Observe the size of the fitting threads.

Do not use solvents to avoid damaging the rubber parts of the valves.

## USE AND MAINTENANCE

Observe the functional limits indicated in the technical catalogue. On a periodic basis and based on the conditions of use, check for cleanliness, state of wear or fractures and correct performance of the valve.

If the O-rings are damaged, replace them with those supplied by the manufacturer.

To assure the best working conditions at all time, check the oil and replace it periodically (after the first 100 working hours and then after every 2000 working hours or at least once every year).

Attention: all installation and maintenance intervention must be performed by qualified staff.

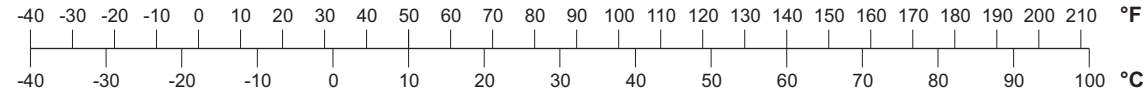
## TRANSPORT AND STORAGE

The valve must be handled with care to avoid damage caused by impact, which could compromise its efficiency.

In the case of storage, keep the valves in a dry place and protect against dust and corrosive substances.

When storing for periods of more than 6 months, fill the valve with preserving oils and seal it.

## CONVERSION CHART

Type	SI units		Alternative units		Conversion factor
Force	Newton	(N) [kgm/s <sup>2</sup> ]	Kilogram force	(kgf)	1 kgf = 9.807 N
			pound force	(lbf) [lbf/s <sup>2</sup> ]	1 lbf = 4.448 N
Length	millimeter	(mm) [10 m]	inch	(in)	1 in = 25.4 mm
	meter	(m) [1000 m]	yard	(yd) [3ft]	1 m = 1.0936 yd
	kilometer	(km) [1000 m]	mile	(mile) [1760 yd]	1 mile = 1.609 km
Torque	Newton meter	(Nm)	pound force.feet	(lbf.ft)	1 lbf.ft = 1.356 Nm
Power	kiloWatt (kW)	[1000 Nm/s]	horsepower	(hp)	1 kW = 1.341 hp
			metric horsepower	(CV)	1 kW = 1.36 CV
Pressure	MegaPascal	(MPa) [ N/mm <sup>2</sup> ]	bar		1 MPa = 10 bar
			psi (lbf/in <sup>2</sup> )		1 MPa = 145 psi
			ton/f/in <sup>2</sup>		1 ton/f/in <sup>2</sup> = 15.45 MPa
Flow rate	liter/min	(l/min)	UK gal/min		1 UK gal/min = 4.546 l/min
			US gal/min		1 US gal/min = 3.785 l/min
Temperature	Celsius	(°C)	Fahrenheit	(°F)	1°F = 1.8 °C+32
					

## MAIN CHARACTERISTICS

All the production Dana Brevini want to be a high quality production. Infact the project of each single valve and the choice of the better materials, machined with the highest technologies and under the strongest controls in each process, allow highest characteristics and numerous applications described in the following pages. Furthermore:

1. all the casting are made in Shell-Moulding, in special graphite cast iron. This kind of cast iron is in high resistance, and it allows to have, with the same external overall dimensions, bigger internal gallery, and lower pressure drops;
2. all spools are made in high resistance steel, nichel plated, radial balanced and with special notches in order to have a better sensibility;
3. all springs are made in high resistance steel. Pressure setting springs are pressed before testing;
4. max tolerance of spool housing is 2 micron;
5. internal leakage at 120 bar, 50° C and oil 30 cSt is beetwen 1 and 2 cm<sup>3</sup>/min, depending from the kind of spool and the kind of valve.

## GENERAL CONDITION OF WORK

Max working temperature	-25 °C ÷ +80 °C
Suggested working temperature	+30 °C ÷ +60 °C
Max back pressure	20 bar (290 PSI)
Max contamination level	NAS 1638 class 9 (19/16 ISO-4406)
Fluid oil	Mineral oil
Kinematic viscosity	10 ÷ 460 mm <sup>2</sup> /s
Filtration	β 12 ≥ 75

Spool are available with different metering, marine protected, Viton® seals, special spring, etc.

		MONOBLOCK VALVES		MODULAR VALVES				
		DCV 20	DCV 40	DCV 30	DCV 50	DCV 80	DCV MG	
Features	Max section	N.o	6	6	12	12	12	10
	Max flow	l/min	40	70	40	70	120	230
		GPM	10.6	18.5	10.6	18.5	31.7	60.7
Max pressure	BAR	400	400	350	350	350	350	
	psi	5800	5800	5075	5075	5075	5075	
Circuit	Parallel	•	•	•	•	•	•	
	Series			•	•	•	•	
	Tandem			•	•	•	•	
Main relief v.	Direct	•	•	•				
	Piloted				•	•	•	
Port relief valves	Overload	•	•	•	•	•	•	
	Anti cavitation			•	•	•	•	
	Combined			•	•	•	•	
Threads	BSP ISO 228/1 Cavity ISO 1179	A-B	3/8"	1/2"	3/8"	1/2"	3/4"	1"
			3/8" (1)				1/2" (1)	3/4" (1)
		P	3/8"	1/2"	3/8"	1/2"	3/4"	1"
			3/8" (1)				1/2" (1)	3/4" (1)
	T	3/8"	1/2"	3/8" (3)	1/2" (3)	3/4" (3)	1"	
			3/8" (1)	1/2" (2)	3/4" (2)	1/2" (1)	3/4" (1)	
	T (4)	—	—	1/2"	3/4"	3/4"	1"	
	SAE ISO 263 Cavity	A-B	9/16"-18UNF (SAE 6)	3/4"-16UNF (SAE 8)	9/16"-18UNF (SAE 6)	7/8"-14UNF (SAE 10)	1" 1/16-12UN (SAE 12)	1" 5/16-12UN (SAE 16)
				7/8"-14UNF (SAE 10) (1)			7/8"-14UNF (SAE 10) (1)	
		P	9/16"-18UNF (SAE 6)	3/4"-16UNF (SAE 8)	9/16"-18UNF (SAE 6)	7/8"-14UNF (SAE 10)	1" 1/16-12UN (SAE 12)	1" 5/16-12UN (SAE 16)
				7/8"-14UNF (SAE 10) (1)			7/8"-14UNF (SAE 10) (1)	
	T (Standard)	9/16"-18UNF (SAE 6)	3/4"-16UNF (SAE 8)	9/16"-18UNF (SAE 6) (3)	7/8"-14UNF (SAE 10) (3)	1" 1/16-12UN (SAE 12) (3)	1" 5/16-12UN (SAE 16)	
7/8"-14UNF (SAE 10) (1)			3/4"-16UNF (SAE 8) (2)	1" 1/16-12UN (SAE 12) (2)	7/8"-14UNF (SAE 10) (1-3)			
T (4)	—	—	3/4"-16UNF (SAE 8)	1" 1/16-12UN (SAE 12)	1" 1/16-12UN (SAE 12)	—		
Spool stroke	A ÷ B	mm	± 5	± 5	± 5	± 5	± 7	± 8
		inch	± 0.20	± 0.20	± 0.20	± 0.20	± 0.28	± 0.31
	4th position	mm	- 3.5	- 5	- 3.5	- 5	- 5.5	- 5.5
		inch	- 0.14	- 0.20	- 0.14	- 0.20	- 0.22	- 0.22
	Series	mm			± 4.5	± 4.5	± 5.5	± 8
		inch			± 0.18	± 0.18	± 0.22	± 0.31

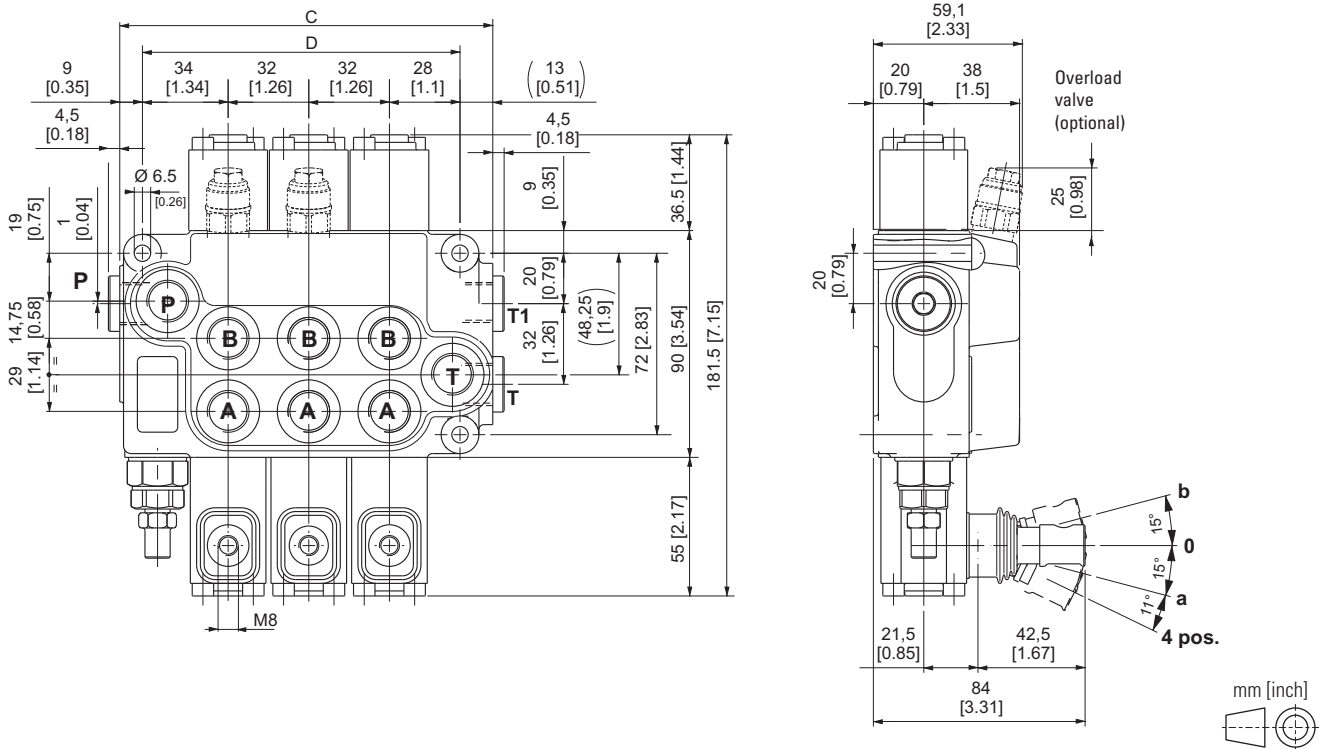
(1) threads availables on request

(3) inlet section with top output

(2) threads availables on request solo only for outlet side

(4) output section with standard upper thread + carry over (see page 61)

## OVERALL DIMENSIONS

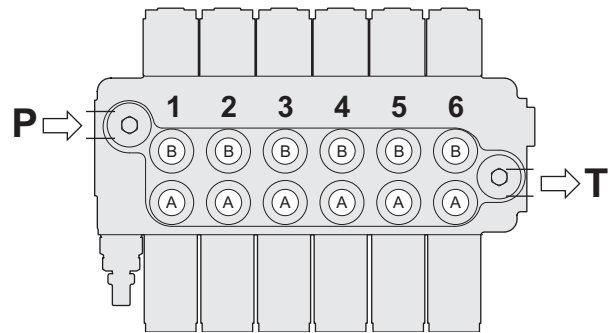
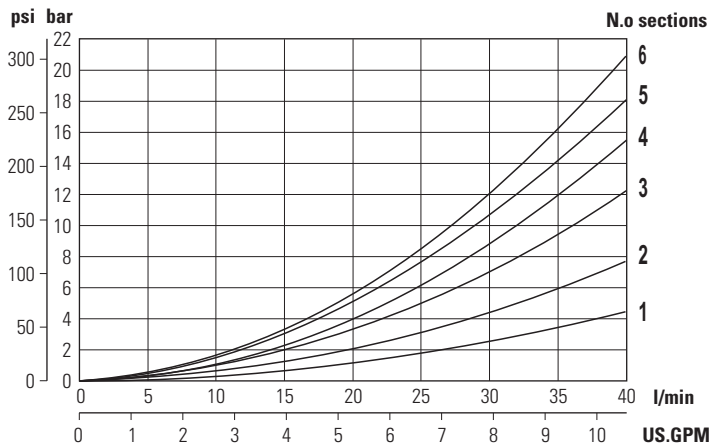


**MONOBLOCK**

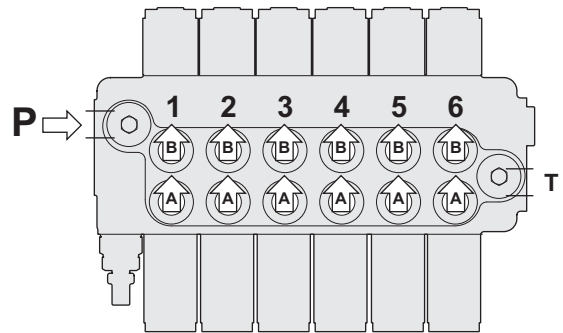
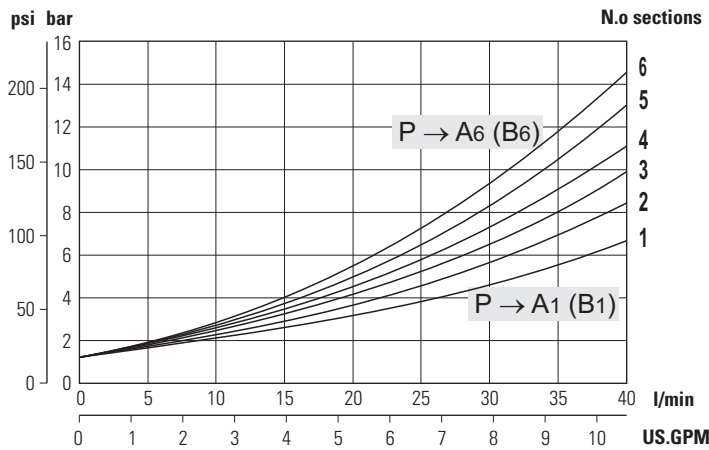
Type	C mm [inch]	D mm [inch]	Weight kg [lb]	Max flow l/min [GPM]	Max pressure BAR [psi]
DCV 20/1	80 [3.15]	62 [2.44]	2.10 [4.62]	40 [10.6]	400 [5800]
DCV 20/2	112 [4.41]	94 [3.70]	3.25 [7.15]		
DCV 20/3	144 [5.67]	126 [4.96]	4.35 [9.57]		
DCV 20/4	176 [6.93]	158 [6.22]	5.45 [11.99]		
DCV 20/5	208 [8.19]	190 [7.48]	6.55 [14.41]		
DCV 20/6	240 [9.45]	222 [ 8.74]	7.65 [16.83]		

## CHARACTERISTIC PRESSURE DROP FLOW CURVES

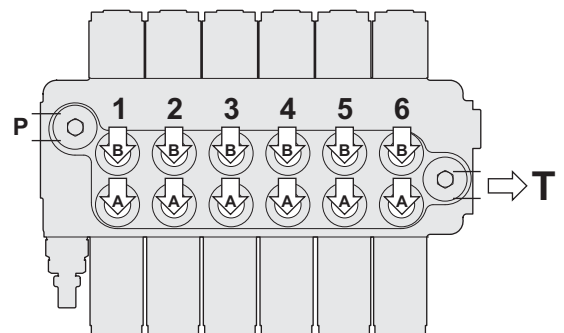
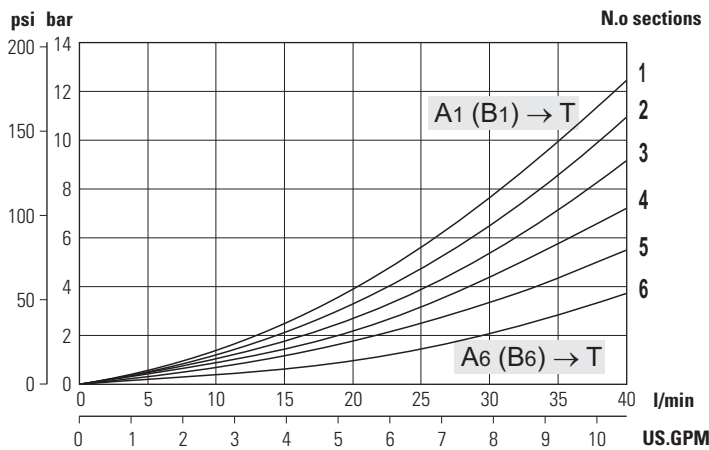
**Inlet pressure drop between P → T  
spool in central position**



**Inlet pressure drop between P → A (B)  
spool in working position**



**Inlet pressure drop between A (B) → T  
spool in working position**

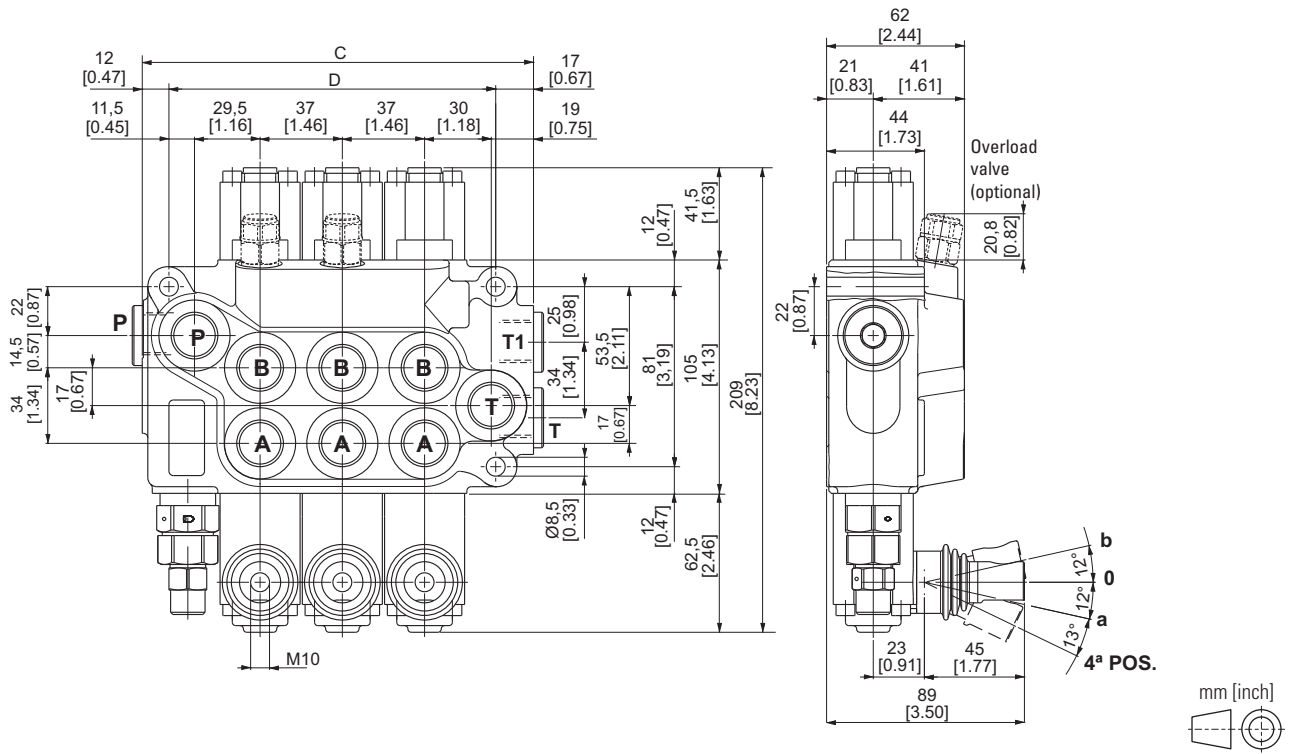


Metering curves are different for each type of spool. Therefore particular curves are supplied on request  
The curves are obtained using standard double acting spool (cod. ST1) with oil at 50°C and viscosity 36 mm<sup>2</sup> / s

MONOBLOCK



## OVERALL DIMENSIONS



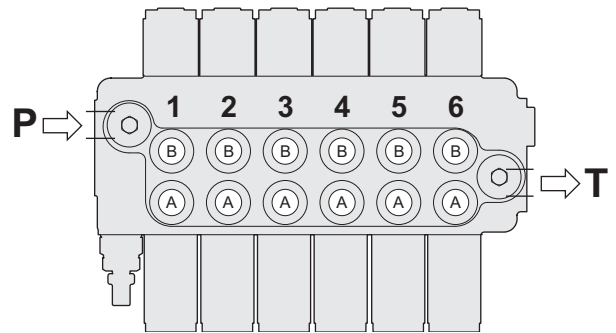
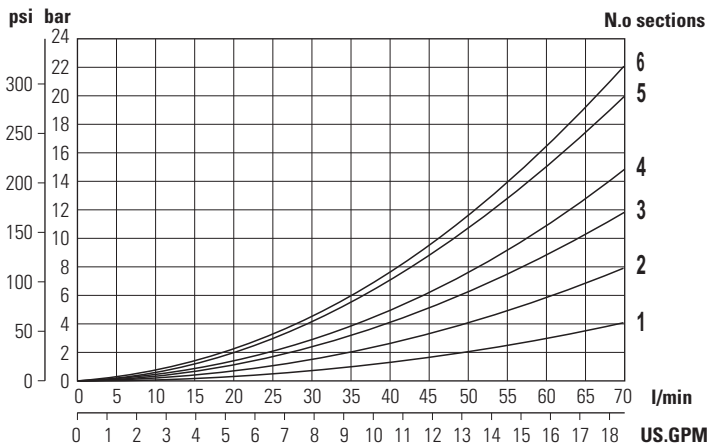
**MONOBLOCK**

Type	C mm [inch]	D mm [inch]	Weight kg [lb]	Max flow l/min [GPM]	Max pressure BAR [psi]
DCV 40/1	102 [4.02]	73 [2.87]	3.57 [7.85]	70 [18.5]	400 [5800]
DCV 40/2	139 [5.47]	110 [4.33]	5.45 [11.99]		
DCV 40/3	176 [6.93]	147 [5.79]	7.30 [16.06]		
DCV 40/4	213 [8.39]	184 [7.24]	9.15 [20.13]		
DCV 40/5	250 [9.84]	221 [8.70]	11.00 [24.20]		
DCV 40/6	287 [11.30]	258 [10.16]	12.85 [28.27]		

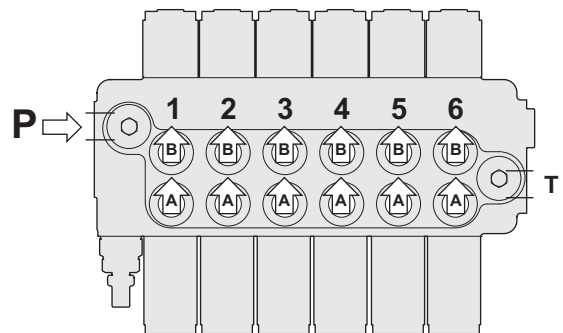
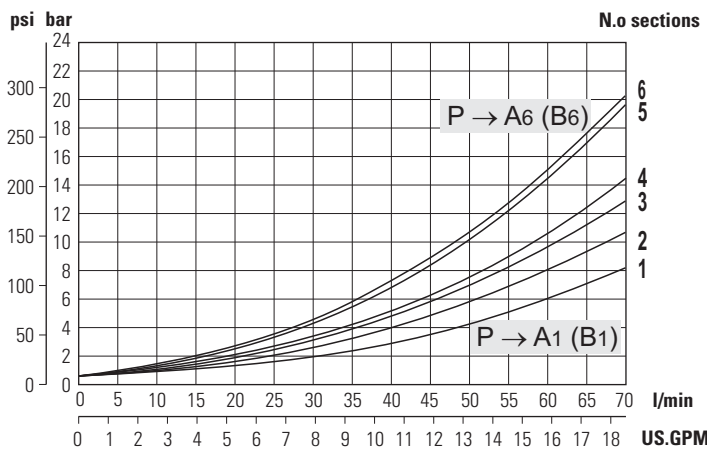
## CHARACTERISTIC PRESSURE DROP FLOW CURVES

MONOBLOCK

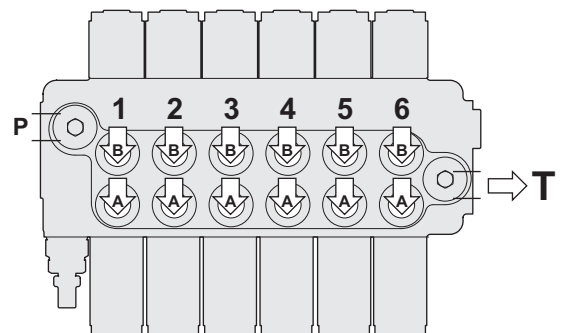
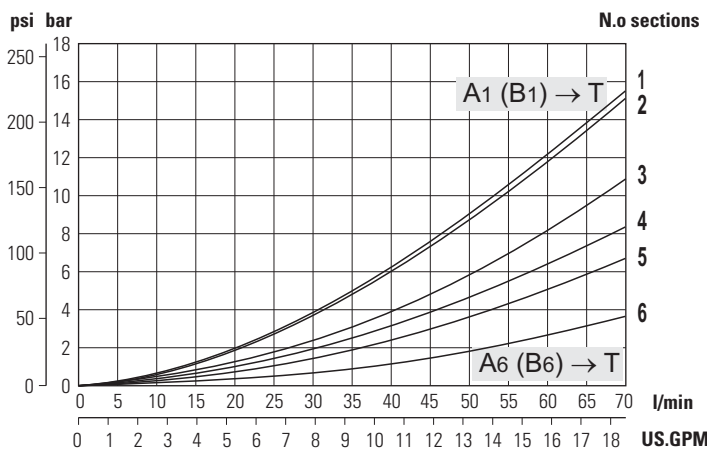
**Inlet pressure drop between P → T  
spool in central position**



**Inlet pressure drop between P → A (B)  
spool in working position**



**Inlet pressure drop between A (B) → T  
spool in working position**



Metering curves are different for each type of spool. Therefore particular curves are supplied on request  
The curves are obtained using standard double acting spool (cod. ST1) with oil at 50°C and viscosity 36 mm<sup>2</sup> / s

# Ordering code

Model	Inlet section			Working sections (repeat for any section)						Outlet section	Threads
DCV ** / *	IS*	***	(***)	ST**	CS**	D**	V**(***)	W*	Xn	U*	F*

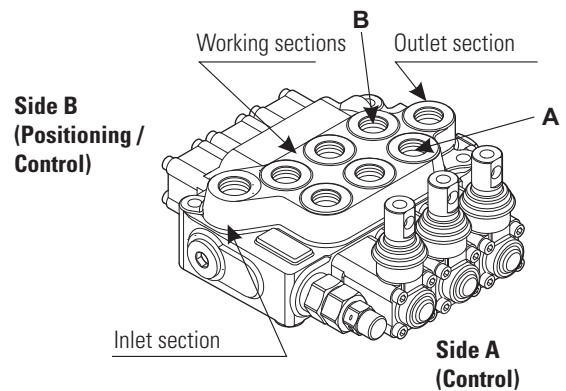
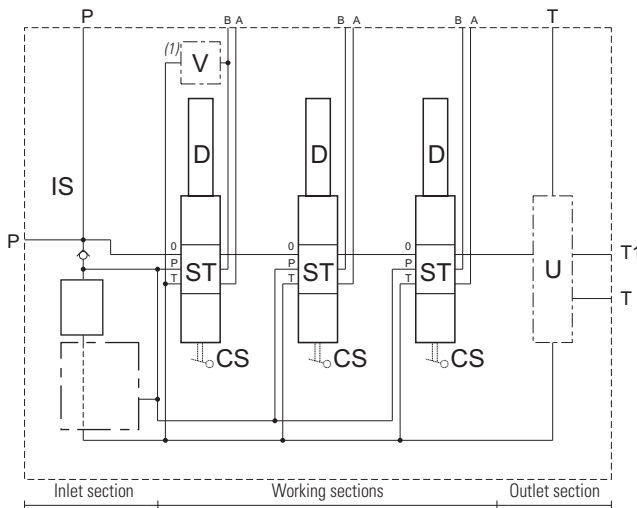
Description	Page
Size: DCV20 DCV40 N.o working sections	5-7
Inlet type	11
Valves arrangement	12
Main relief valve setting <sup>(1)</sup>	12
Spools	13
Control side A	14
Positioning / Control side B	19
Service port valves <sup>(1)</sup> <sup>(2)</sup>	24
Overload valve setting <sup>(1)</sup>	24
Hand lever <sup>(1)</sup>	24
Working section repeated for n. times	24
Outlet	25
Threads	25

(1) ----- Optional fields. Not specify if not required.

(2) Service port valves optional, is required a special monoblock body.

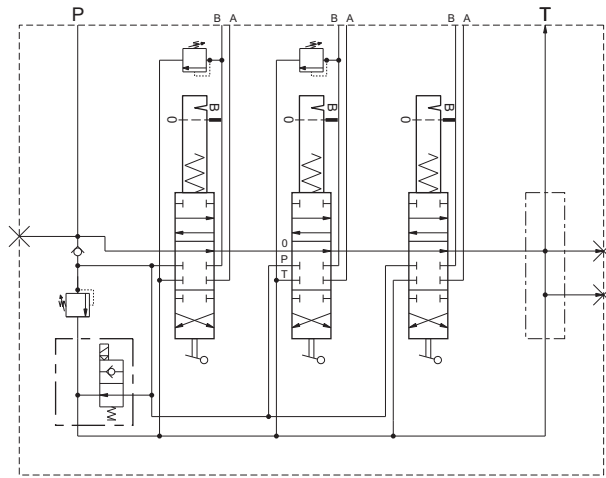
**MONOBLOCK**

## HYDRAULIC SCHEME



## ORDERING CODE EXAMPLE

MONOBLOCK



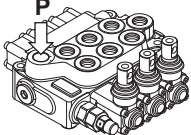
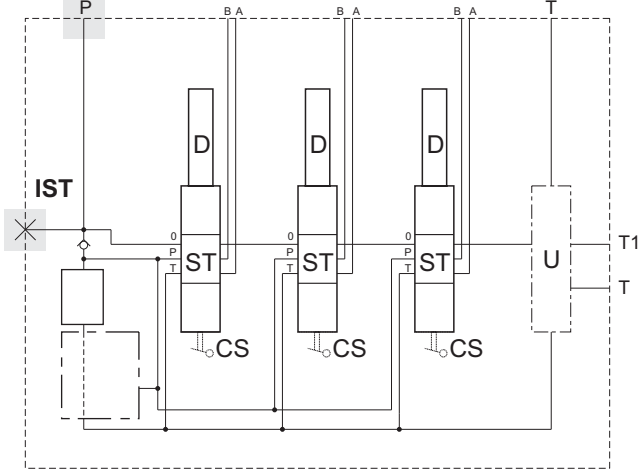
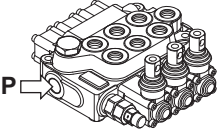
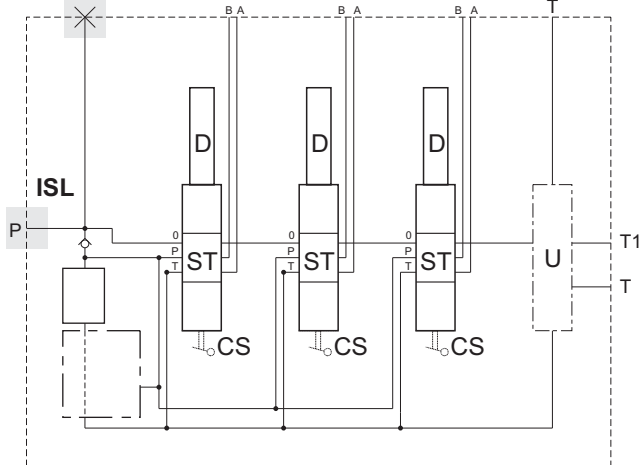
DCV40/3	IST	004	(200)	ST1	CS1	D4	VB1(150)	W2	X2	ST1	CS1	D4	W2	US	F4
---------	-----	-----	-------	-----	-----	----	----------	----	----	-----	-----	----	----	----	----

- DCV40/3** - DCV40 3 sections monoblock
- IST** - Top inlet
- 004** - Direct main relief valve + Solenoid dump valve 24V N. Open
- (200)** - Valve setting 200 BAR
- ST1** - Spool, 3 position, double acting
- CS1** - Spool control side A
- D4** - Spool control side B, 3 pos. spring centred spool, detent in "b"
- VB1(150)** - Overload valve in position "B" - Setting 150 bar
- W2** - Standard handle lever
- X2** - Working section repeated for n. 2 times
- ST1** - Spool, 3 position, double acting
- CS1** - Spool control side A
- D4** - Spool control cap side, 3 pos. spring centred spool, detent in "b"
- W2** - Standard handle lever
- US** - Top outlet
- F4** - 1/2" BSP threads

Inlet type

DCV\*\*/\* **IS\*** \*\*\* (\*\*\*) ST\*\* CS\*\* D\*\* V\*\* W\* Xn U\* F\*

**IS\*** Inlet type

**	Description	Drawing
IST (1)	Top inlet (standard)	 
ISL (2)	Side inlet	 

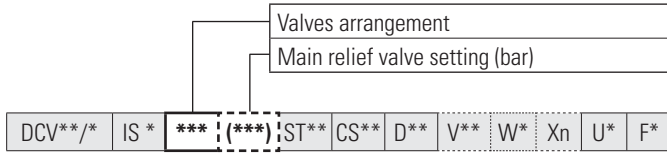
(1) On request. RIGHT inlet section with top inlet (IDT). Contact our sales department.

(2) On request. RIGHT inlet section with side inlet (IDL). Contact our sales department.

**MONOBLOCK**

# Inlet sections

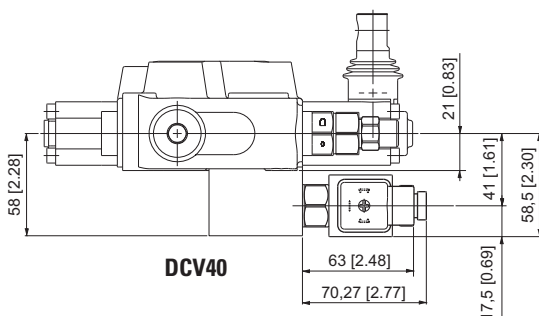
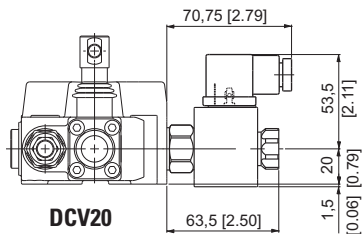
MONOBLOCK



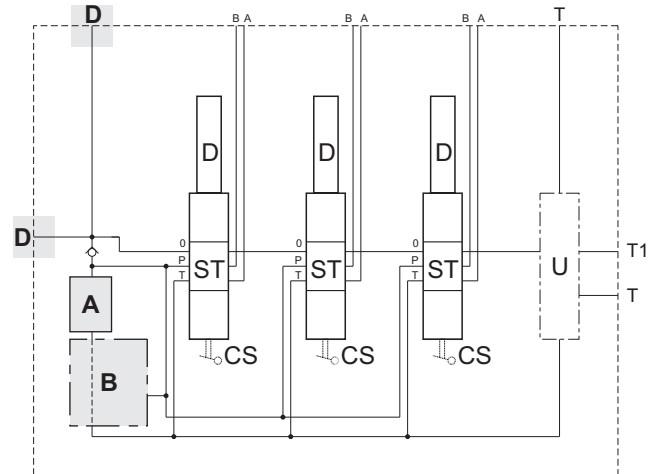
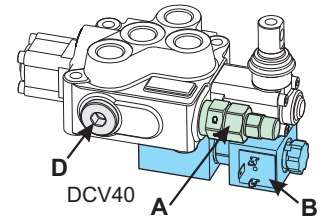
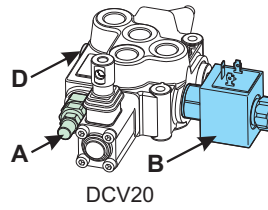
\*\*\* (\*\*\*) Valves arrangements and main relief valve setting

***	(***)	Arrangements		
		A*	B*	D*
001	(1)	A1	—	D0
002	(1)	A1	B6	D0
003	(1)	A1	B7	D0
004	(1)	A1	B8	D0
005	(1)	A1	B9	D0
006	(1)	A1	B10	D0
007	(1)	A1	B11	D0
008	(1)	A1	B12	D0
009	(1)	A1	B13	D0
010	(1)	A1	—	D15
011	—	A14	—	D0
012	—	A14	—	D15
013	—	A14	B6	D0
014	—	A14	B7	D0
015	—	A14	B8	D0
016	—	A14	B9	D0
017	—	A14	B10	D0
018	—	A14	B11	D0
019	—	A14	B12	D0
020	—	A14	B13	D0

(1) Specify pressure relief valve setting (from 20 to 400 bar). In the order it is suggested specify the flow rate.



## Valves choice

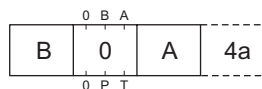
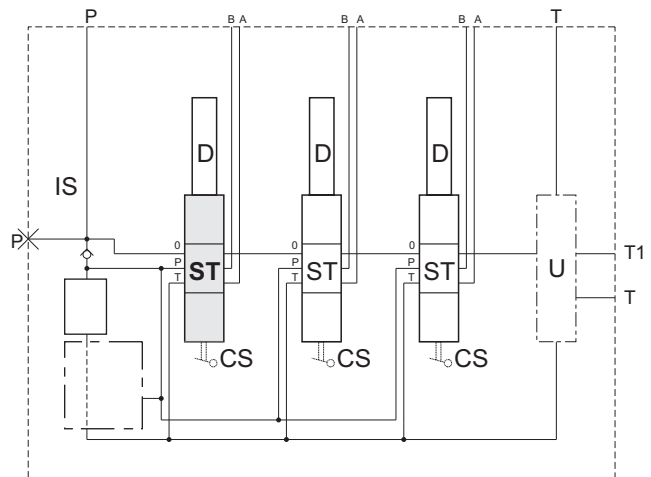
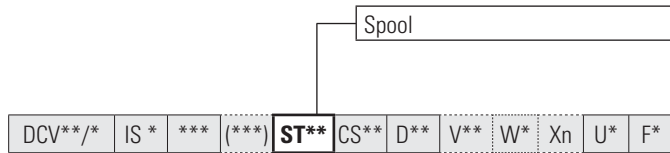


<b>A1</b>	Direct main relief valve	
<b>A14</b>	Valve seat with plug	
<b>B6</b> (2)	Solenoid dump valve 12V work NORMALLY OPEN	
<b>B8</b> (2)	Solenoid dump valve 24V work NORMALLY OPEN	
<b>B10</b> (2)	Solenoid dump valve 26V work NORMALLY OPEN	
<b>B12</b> (2)	Solenoid dump valve 30V work NORMALLY OPEN	
<b>B7</b> (2)	Solenoid dump valve 12V work NORMALLY CLOSED	
<b>B9</b> (2)	Solenoid dump valve 24V work NORMALLY CLOSED	
<b>B11</b> (2)	Solenoid dump valve 26V work NORMALLY CLOSED	
<b>B13</b> (2)	Solenoid dump valve 30V work NORMALLY CLOSED	
<b>D0</b>	Plug - Standard (position selectet with IST or ISL)	
<b>D15</b>	Pressure gauge connection G 1/4" (re- place the plug selected with IST or ISL)	

(2) Include block (DCV40) and special monoblock body

(3) Solenoid features

	12 Vdc	24 Vdc	26 Vdc	30 Vdc
Nominal power	17 W	20 W	20 W	17 W
Connector	DIN 43650 ISO 4400			
Protection degree	IP65			
Ambient temperature	-30 +60 °C			



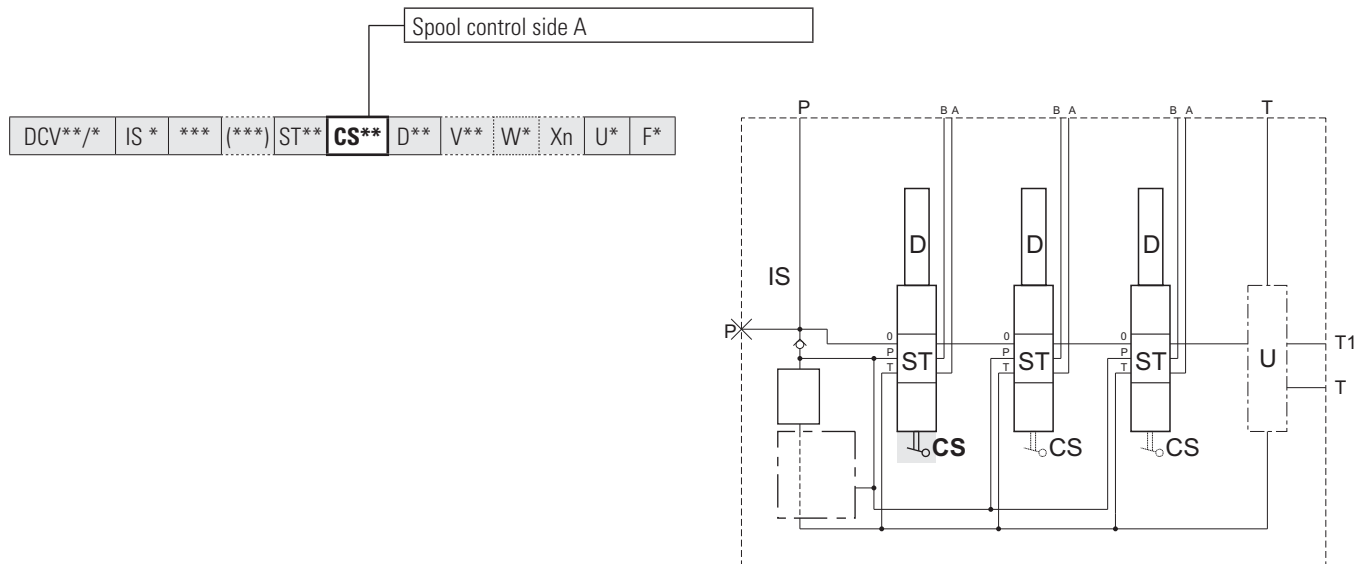
**ST\*\*** Spool

**	Description	Symbol
<b>ST1</b> <b>ST1G</b> (1)	3 position, double acting	
<b>ST2</b>	3 positions, double acting, - Lc blocked - A and B open	
<b>ST3</b>	3 positions, double acting, - Lc blocked - A and B blocked	
<b>ST4</b> <b>ST4G</b> (1)	3 positions, double acting, - A and B open	
<b>ST5</b> <b>ST5G</b> (1)	3 positions, double acting, - A open - B blocked	
<b>ST6</b> <b>ST6G</b> (1)	3 positions, double acting, - A blocked - B open	
<b>ST7</b>	3 positions, single acting in A	
<b>ST8</b>	3 positions, single acting in B	

**	Description	Symbol
<b>ST9</b>	3 positions, single acting in A - A open	
<b>ST10</b>	3 positions, single acting in B - B open	
<b>ST11</b>	3 positions, double acting regenerative in A (not standard)	
<b>ST36</b>	3 positions, double acting regenerative in B (not standard)	
<b>ST12</b>	4 positions, double acting with 4th float position	
<b>ST23</b>	2 positions with function dead man (unactivated) in "a" position ; working position in "0"	
<b>ST24</b>	2 positions with function dead man (unactivated) in "b" position ; working position in "0"	
<b>ST27</b>	2 positions with function dead man (unactivated) in "0" position ; working position in "b"	
<b>ST28</b>	2 positions with function dead man (unactivated) in "0" position ; working position in "a"	

(1) **STG** = Extra metering

MONOBLOCK


**CS\*\* Spool control side A**

**	Description	Drawing																															
CS1 CSA1 (1)	Standard handle		<table border="1"> <thead> <tr> <th rowspan="2"></th> <th colspan="2">A</th> <th rowspan="2">B</th> <th colspan="4">C</th> </tr> <tr> <th>mm</th> <th>inch</th> <th colspan="2">CS1</th> <th colspan="2">CSA1</th> </tr> </thead> <tbody> <tr> <td>DCV 20</td> <td>64</td> <td>2.52</td> <td>M8</td> <td>55</td> <td>2.17</td> <td>—</td> <td>—</td> </tr> <tr> <td>DCV 40</td> <td>62.5</td> <td>2.46</td> <td>M10</td> <td>62.5</td> <td>2.46</td> <td>67.5</td> <td>2.66</td> </tr> </tbody> </table>		A		B	C				mm	inch	CS1		CSA1		DCV 20	64	2.52	M8	55	2.17	—	—	DCV 40	62.5	2.46	M10	62.5	2.46	67.5	2.66
		A			B	C																											
mm		inch	CS1			CSA1																											
DCV 20	64	2.52	M8	55	2.17	—	—																										
DCV 40	62.5	2.46	M10	62.5	2.46	67.5	2.66																										
CS2 CSA2 (1)	Handle at 180°		<table border="1"> <thead> <tr> <th rowspan="2"></th> <th colspan="2">A</th> <th rowspan="2">B</th> <th colspan="4">C</th> </tr> <tr> <th>mm</th> <th>inch</th> <th colspan="2">CS2</th> <th colspan="2">CSA2</th> </tr> </thead> <tbody> <tr> <td>DCV 20</td> <td>64</td> <td>2.52</td> <td>M8</td> <td>55</td> <td>2.17</td> <td>—</td> <td>—</td> </tr> <tr> <td>DCV 40</td> <td>62.5</td> <td>2.46</td> <td>M10</td> <td>62.5</td> <td>2.46</td> <td>67.5</td> <td>2.66</td> </tr> </tbody> </table>		A		B	C				mm	inch	CS2		CSA2		DCV 20	64	2.52	M8	55	2.17	—	—	DCV 40	62.5	2.46	M10	62.5	2.46	67.5	2.66
		A			B	C																											
mm		inch	CS2			CSA2																											
DCV 20	64	2.52	M8	55	2.17	—	—																										
DCV 40	62.5	2.46	M10	62.5	2.46	67.5	2.66																										
CS3	Without handle		<table border="1"> <thead> <tr> <th rowspan="2"></th> <th colspan="2">A</th> <th colspan="2">B</th> <th colspan="2">C</th> </tr> <tr> <th>mm</th> <th>inch</th> <th>mm</th> <th>inch</th> <th>mm</th> <th>inch</th> </tr> </thead> <tbody> <tr> <td>DCV 20</td> <td>41</td> <td>1.61</td> <td>12</td> <td>0.47</td> <td>6</td> <td>0.24</td> </tr> <tr> <td>DCV 40</td> <td>50</td> <td>1.97</td> <td>17</td> <td>0.67</td> <td>9</td> <td>0.35</td> </tr> </tbody> </table>		A		B		C		mm	inch	mm	inch	mm	inch	DCV 20	41	1.61	12	0.47	6	0.24	DCV 40	50	1.97	17	0.67	9	0.35			
	A		B		C																												
	mm	inch	mm	inch	mm	inch																											
DCV 20	41	1.61	12	0.47	6	0.24																											
DCV 40	50	1.97	17	0.67	9	0.35																											
CS4	Hydraulic control - Max pilot pressure 35 bar 508 psi		<table border="1"> <thead> <tr> <th rowspan="2"></th> <th colspan="2">A</th> <th rowspan="2">B</th> </tr> <tr> <th>mm</th> <th>inch</th> </tr> </thead> <tbody> <tr> <td>DCV 20</td> <td>59</td> <td>2.32</td> <td>1/4" BSP</td> </tr> <tr> <td>DCV 40</td> <td>68</td> <td>2.68</td> <td>1/4" BSP</td> </tr> </tbody> </table>		A		B	mm	inch	DCV 20	59	2.32	1/4" BSP	DCV 40	68	2.68	1/4" BSP																
	A		B																														
	mm	inch																															
DCV 20	59	2.32	1/4" BSP																														
DCV 40	68	2.68	1/4" BSP																														
CS53	Hydraulic lever control		<table border="1"> <thead> <tr> <th rowspan="2"></th> <th colspan="2">A</th> <th colspan="2">B</th> <th rowspan="2">C</th> <th colspan="2">D</th> </tr> <tr> <th>mm</th> <th>inch</th> <th>mm</th> <th>inch</th> <th>mm</th> <th>inch</th> </tr> </thead> <tbody> <tr> <td>DCV 20</td> <td>59</td> <td>2.32</td> <td>109</td> <td>4.29</td> <td>1/4" BSP</td> <td>64</td> <td>2.52</td> </tr> </tbody> </table>		A		B		C	D		mm	inch	mm	inch	mm	inch	DCV 20	59	2.32	109	4.29	1/4" BSP	64	2.52								
	A		B		C	D																											
	mm	inch	mm	inch		mm	inch																										
DCV 20	59	2.32	109	4.29	1/4" BSP	64	2.52																										

(1) **CSA** = Aluminium version (only DCV40)




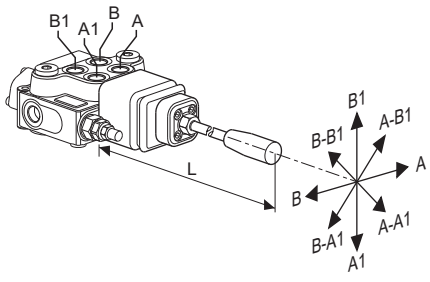
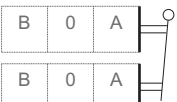
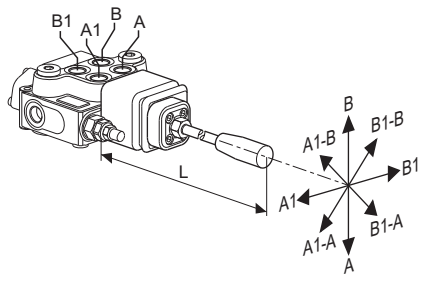

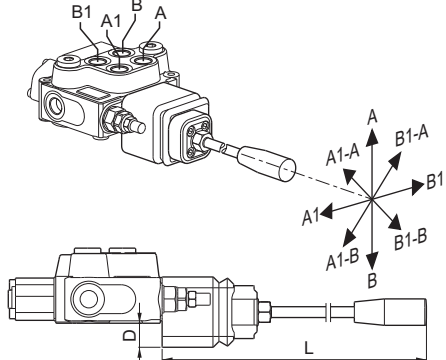

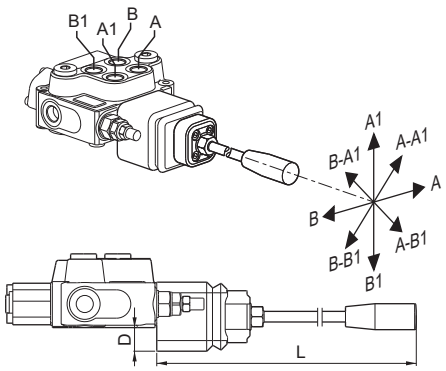

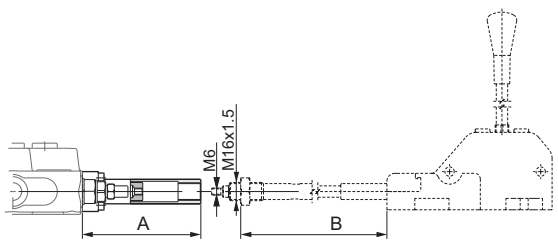
## CS\*\* Spool control side A

**	Description	Drawing																				
<b>CS5</b> <b>CSA5</b> <i>(1)</i>	Safety handle locked in neutral position  	  <table border="1"> <thead> <tr> <th></th> <th colspan="2">A</th> <th colspan="2">B</th> </tr> <tr> <th></th> <th>mm</th> <th>inch</th> <th>mm</th> <th>inch</th> </tr> </thead> <tbody> <tr> <td><b>DCV 20</b></td> <td>200</td> <td>7.87</td> <td>73</td> <td>2.87</td> </tr> <tr> <td><b>DCV 40</b></td> <td>220</td> <td>8.66</td> <td>77</td> <td>3.03</td> </tr> </tbody> </table>		A		B			mm	inch	mm	inch	<b>DCV 20</b>	200	7.87	73	2.87	<b>DCV 40</b>	220	8.66	77	3.03
	A		B																			
	mm	inch	mm	inch																		
<b>DCV 20</b>	200	7.87	73	2.87																		
<b>DCV 40</b>	220	8.66	77	3.03																		
<b>CS6</b> <b>CSA6</b> <i>(1)</i>	Safety handle locked in position "a"  	  <table border="1"> <thead> <tr> <th></th> <th colspan="2">A</th> <th colspan="2">B</th> </tr> <tr> <th></th> <th>mm</th> <th>inch</th> <th>mm</th> <th>inch</th> </tr> </thead> <tbody> <tr> <td><b>DCV 20</b></td> <td>200</td> <td>7.87</td> <td>73</td> <td>2.87</td> </tr> <tr> <td><b>DCV 40</b></td> <td>220</td> <td>8.66</td> <td>77</td> <td>3.03</td> </tr> </tbody> </table>		A		B			mm	inch	mm	inch	<b>DCV 20</b>	200	7.87	73	2.87	<b>DCV 40</b>	220	8.66	77	3.03
	A		B																			
	mm	inch	mm	inch																		
<b>DCV 20</b>	200	7.87	73	2.87																		
<b>DCV 40</b>	220	8.66	77	3.03																		
<b>CS7</b> <b>CSA7</b> <i>(1)</i>	Security handle locked in position "b"  	  <table border="1"> <thead> <tr> <th></th> <th colspan="2">A</th> <th colspan="2">B</th> </tr> <tr> <th></th> <th>mm</th> <th>inch</th> <th>mm</th> <th>inch</th> </tr> </thead> <tbody> <tr> <td><b>DCV 20</b></td> <td>200</td> <td>7.87</td> <td>73</td> <td>2.87</td> </tr> <tr> <td><b>DCV 40</b></td> <td>220</td> <td>8.66</td> <td>77</td> <td>3.03</td> </tr> </tbody> </table>		A		B			mm	inch	mm	inch	<b>DCV 20</b>	200	7.87	73	2.87	<b>DCV 40</b>	220	8.66	77	3.03
	A		B																			
	mm	inch	mm	inch																		
<b>DCV 20</b>	200	7.87	73	2.87																		
<b>DCV 40</b>	220	8.66	77	3.03																		
<b>CS8</b> <b>CSA8</b> <i>(1)</i>	Security handle locked in position "a" and "b"  	  <table border="1"> <thead> <tr> <th></th> <th colspan="2">A</th> <th colspan="2">B</th> </tr> <tr> <th></th> <th>mm</th> <th>inch</th> <th>mm</th> <th>inch</th> </tr> </thead> <tbody> <tr> <td><b>DCV 20</b></td> <td>200</td> <td>7.87</td> <td>73</td> <td>2.87</td> </tr> <tr> <td><b>DCV 40</b></td> <td>220</td> <td>8.66</td> <td>77</td> <td>3.03</td> </tr> </tbody> </table>		A		B			mm	inch	mm	inch	<b>DCV 20</b>	200	7.87	73	2.87	<b>DCV 40</b>	220	8.66	77	3.03
	A		B																			
	mm	inch	mm	inch																		
<b>DCV 20</b>	200	7.87	73	2.87																		
<b>DCV 40</b>	220	8.66	77	3.03																		
<b>CS9</b> <b>CSA9</b> <i>(1)</i>	Security handle locked in 4th position  	  <table border="1"> <thead> <tr> <th></th> <th colspan="2">A</th> <th colspan="2">B</th> </tr> <tr> <th></th> <th>mm</th> <th>inch</th> <th>mm</th> <th>inch</th> </tr> </thead> <tbody> <tr> <td><b>DCV 20</b></td> <td>200</td> <td>7.87</td> <td>73</td> <td>2.87</td> </tr> <tr> <td><b>DCV 40</b></td> <td>220</td> <td>8.66</td> <td>77</td> <td>3.03</td> </tr> </tbody> </table>		A		B			mm	inch	mm	inch	<b>DCV 20</b>	200	7.87	73	2.87	<b>DCV 40</b>	220	8.66	77	3.03
	A		B																			
	mm	inch	mm	inch																		
<b>DCV 20</b>	200	7.87	73	2.87																		
<b>DCV 40</b>	220	8.66	77	3.03																		
<b>CS40</b> <b>CSA40</b> <i>(1)</i>	Any positions detented lever  	  <table border="1"> <thead> <tr> <th></th> <th colspan="2">A</th> <th colspan="2">B</th> </tr> <tr> <th></th> <th>mm</th> <th>inch</th> <th>mm</th> <th>inch</th> </tr> </thead> <tbody> <tr> <td><b>DCV 40</b></td> <td>270</td> <td>10.62</td> <td>77</td> <td>3.03</td> </tr> </tbody> </table>		A		B			mm	inch	mm	inch	<b>DCV 40</b>	270	10.62	77	3.03					
	A		B																			
	mm	inch	mm	inch																		
<b>DCV 40</b>	270	10.62	77	3.03																		

(1) **CSA** = Aluminium version (only DCV40)

**MONOBLOCK**

**CS\*\*** *Spool control side A*

**	Description	Drawing																				
<b>CS10</b> <b>(CX)</b> <i>(1)</i>	Cloche control with fulcrum on upstream section  	 <table border="1" style="margin-left: auto; margin-right: auto;"> <thead> <tr> <th></th> <th colspan="2">L</th> </tr> <tr> <th></th> <th>mm</th> <th>inch</th> </tr> </thead> <tbody> <tr> <td><b>DCV 20</b></td> <td>280</td> <td>11.02</td> </tr> <tr> <td><b>DCV 40</b></td> <td>285</td> <td>11.22</td> </tr> </tbody> </table>		L			mm	inch	<b>DCV 20</b>	280	11.02	<b>DCV 40</b>	285	11.22								
	L																					
	mm	inch																				
<b>DCV 20</b>	280	11.02																				
<b>DCV 40</b>	285	11.22																				
<b>CS11</b> <b>(CX)</b> <i>(1)</i>	Cloche control with fulcrum on downstream section  	 <table border="1" style="margin-left: auto; margin-right: auto;"> <thead> <tr> <th></th> <th colspan="2">L</th> </tr> <tr> <th></th> <th>mm</th> <th>inch</th> </tr> </thead> <tbody> <tr> <td><b>DCV 20</b></td> <td>280</td> <td>11.02</td> </tr> <tr> <td><b>DCV 40</b></td> <td>285</td> <td>11.22</td> </tr> </tbody> </table>		L			mm	inch	<b>DCV 20</b>	280	11.02	<b>DCV 40</b>	285	11.22								
	L																					
	mm	inch																				
<b>DCV 20</b>	280	11.02																				
<b>DCV 40</b>	285	11.22																				
<b>CS12</b> <b>(CX)</b> <i>(1)</i>	Cloche control with fulcrum turned 180° on the downstream section  	 <table border="1" style="margin-left: auto; margin-right: auto;"> <thead> <tr> <th></th> <th colspan="2">L</th> <th colspan="2">D</th> </tr> <tr> <th></th> <th>mm</th> <th>inch</th> <th>mm</th> <th>inch</th> </tr> </thead> <tbody> <tr> <td><b>DCV 20</b></td> <td>280</td> <td>11.02</td> <td>20</td> <td>0.79</td> </tr> <tr> <td><b>DCV 40</b></td> <td>285</td> <td>11.22</td> <td>20</td> <td>0.79</td> </tr> </tbody> </table>		L		D			mm	inch	mm	inch	<b>DCV 20</b>	280	11.02	20	0.79	<b>DCV 40</b>	285	11.22	20	0.79
	L		D																			
	mm	inch	mm	inch																		
<b>DCV 20</b>	280	11.02	20	0.79																		
<b>DCV 40</b>	285	11.22	20	0.79																		
<b>CS13</b> <b>(CX)</b> <i>(1)</i>	Cloche control with fulcrum turned 180° on the upstream section  	 <table border="1" style="margin-left: auto; margin-right: auto;"> <thead> <tr> <th></th> <th colspan="2">L</th> <th colspan="2">D</th> </tr> <tr> <th></th> <th>mm</th> <th>inch</th> <th>mm</th> <th>inch</th> </tr> </thead> <tbody> <tr> <td><b>DCV 20</b></td> <td>280</td> <td>11.02</td> <td>20</td> <td>0.79</td> </tr> <tr> <td><b>DCV 40</b></td> <td>285</td> <td>11.22</td> <td>20</td> <td>0.79</td> </tr> </tbody> </table>		L		D			mm	inch	mm	inch	<b>DCV 20</b>	280	11.02	20	0.79	<b>DCV 40</b>	285	11.22	20	0.79
	L		D																			
	mm	inch	mm	inch																		
<b>DCV 20</b>	280	11.02	20	0.79																		
<b>DCV 40</b>	285	11.22	20	0.79																		
<b>CS14</b> <i>(2)</i>	Flexible cable control <i>(2)</i>  	 <table border="1" style="margin-left: auto; margin-right: auto;"> <thead> <tr> <th></th> <th colspan="2">A</th> <th colspan="2">B</th> </tr> <tr> <th></th> <th>mm</th> <th>inch</th> <th>mm</th> <th>inch</th> </tr> </thead> <tbody> <tr> <td><b>DCV 20</b></td> <td>104</td> <td>4.09</td> <td>(2)</td> <td>(2)</td> </tr> <tr> <td><b>DCV 40</b></td> <td>106</td> <td>4.17</td> <td>(2)</td> <td>(2)</td> </tr> </tbody> </table>		A		B			mm	inch	mm	inch	<b>DCV 20</b>	104	4.09	(2)	(2)	<b>DCV 40</b>	106	4.17	(2)	(2)
	A		B																			
	mm	inch	mm	inch																		
<b>DCV 20</b>	104	4.09	(2)	(2)																		
<b>DCV 40</b>	106	4.17	(2)	(2)																		

(1) **(CX)** code required to use on 2th section  
 (2) Cable supplied on request. Lenght cable and control, contact our commercial dept

## CS\*\* Spool control side A

**	Description	Drawing																											
<b>CS15</b> <b>CSA15</b> (1)	Spool stroke adjustment in "b"  	<table border="1"> <thead> <tr> <th colspan="3">A</th> </tr> <tr> <th></th> <th>mm</th> <th>inch</th> </tr> </thead> <tbody> <tr> <td><b>DCV 20</b></td> <td>78</td> <td>3.07</td> </tr> <tr> <td><b>DCV 40</b></td> <td>83.5</td> <td>3.28</td> </tr> </tbody> </table>	A				mm	inch	<b>DCV 20</b>	78	3.07	<b>DCV 40</b>	83.5	3.28															
A																													
	mm	inch																											
<b>DCV 20</b>	78	3.07																											
<b>DCV 40</b>	83.5	3.28																											
<b>CS16</b> <b>CSA16</b> (1)	Spool stroke adjustment in "b", handle at 180°  	<table border="1"> <thead> <tr> <th colspan="3">A</th> </tr> <tr> <th></th> <th>mm</th> <th>inch</th> </tr> </thead> <tbody> <tr> <td><b>DCV 20</b></td> <td>78</td> <td>3.07</td> </tr> <tr> <td><b>DCV 40</b></td> <td>83.5</td> <td>3.28</td> </tr> </tbody> </table>	A				mm	inch	<b>DCV 20</b>	78	3.07	<b>DCV 40</b>	83.5	3.28															
A																													
	mm	inch																											
<b>DCV 20</b>	78	3.07																											
<b>DCV 40</b>	83.5	3.28																											
<b>CS17</b> <b>CSA17</b> (1)	Standard handle with microswitch in "a" and "b" Protection degree: IP67 Nominal rating: 0.1 ÷ 10 A / 250VAC Minimum rating: 1 mA / 4 VDC Operating temperature: -20 ÷ +85°C  	<p>Cable length: 50 cm [19.69 inch]</p> <table border="1"> <thead> <tr> <th rowspan="2"></th> <th colspan="4">A</th> <th colspan="2">B</th> </tr> <tr> <th>mm</th> <th>inch</th> <th>mm</th> <th>inch</th> <th>mm</th> <th>inch</th> </tr> </thead> <tbody> <tr> <td><b>DCV 20</b></td> <td>55</td> <td>2.17</td> <td>—</td> <td>—</td> <td>50.5</td> <td>1.99</td> </tr> <tr> <td><b>DCV 40</b></td> <td>62.5</td> <td>2.46</td> <td>67.5</td> <td>2.66</td> <td>51.5</td> <td>2.03</td> </tr> </tbody> </table>		A				B		mm	inch	mm	inch	mm	inch	<b>DCV 20</b>	55	2.17	—	—	50.5	1.99	<b>DCV 40</b>	62.5	2.46	67.5	2.66	51.5	2.03
	A				B																								
	mm	inch	mm	inch	mm	inch																							
<b>DCV 20</b>	55	2.17	—	—	50.5	1.99																							
<b>DCV 40</b>	62.5	2.46	67.5	2.66	51.5	2.03																							
<b>CS18</b> <b>CSA18</b> (1)	Standard handle with microswitch in "a" Protection degree: IP67 Nominal rating: 0.1 ÷ 10 A / 250VAC Minimum rating: 1 mA / 4 VDC Operating temperature: -20 ÷ +85°C  	<p>Cable length: 50 cm [19.69 inch]</p> <table border="1"> <thead> <tr> <th rowspan="2"></th> <th colspan="4">A</th> <th colspan="2">B</th> </tr> <tr> <th>mm</th> <th>inch</th> <th>mm</th> <th>inch</th> <th>mm</th> <th>inch</th> </tr> </thead> <tbody> <tr> <td><b>DCV 20</b></td> <td>55</td> <td>2.17</td> <td>—</td> <td>—</td> <td>50.5</td> <td>1.99</td> </tr> <tr> <td><b>DCV 40</b></td> <td>62.5</td> <td>2.46</td> <td>67.5</td> <td>2.66</td> <td>51.5</td> <td>2.03</td> </tr> </tbody> </table>		A				B		mm	inch	mm	inch	mm	inch	<b>DCV 20</b>	55	2.17	—	—	50.5	1.99	<b>DCV 40</b>	62.5	2.46	67.5	2.66	51.5	2.03
	A				B																								
	mm	inch	mm	inch	mm	inch																							
<b>DCV 20</b>	55	2.17	—	—	50.5	1.99																							
<b>DCV 40</b>	62.5	2.46	67.5	2.66	51.5	2.03																							
<b>CS19</b> <b>CSA19</b> (1)	Standard handle with microswitch in "b" Protection degree: IP67 Nominal rating: 0.1 ÷ 10 A / 250VAC Minimum rating: 1 mA / 4 VDC Operating temperature: -20 ÷ +85°C  	<p>Cable length: 50 cm [19.69 inch]</p> <table border="1"> <thead> <tr> <th rowspan="2"></th> <th colspan="4">A</th> <th colspan="2">B</th> </tr> <tr> <th>mm</th> <th>inch</th> <th>mm</th> <th>inch</th> <th>mm</th> <th>inch</th> </tr> </thead> <tbody> <tr> <td><b>DCV 20</b></td> <td>55</td> <td>2.17</td> <td>—</td> <td>—</td> <td>50.5</td> <td>1.99</td> </tr> <tr> <td><b>DCV 40</b></td> <td>62.5</td> <td>2.46</td> <td>67.5</td> <td>2.66</td> <td>51.5</td> <td>2.03</td> </tr> </tbody> </table>		A				B		mm	inch	mm	inch	mm	inch	<b>DCV 20</b>	55	2.17	—	—	50.5	1.99	<b>DCV 40</b>	62.5	2.46	67.5	2.66	51.5	2.03
	A				B																								
	mm	inch	mm	inch	mm	inch																							
<b>DCV 20</b>	55	2.17	—	—	50.5	1.99																							
<b>DCV 40</b>	62.5	2.46	67.5	2.66	51.5	2.03																							
<b>CS20</b> <b>CSA20</b> (1)	Standard handle with microswitch in 4th position Protection degree: IP67 Nominal rating: 0.1 ÷ 10 A / 250VAC Minimum rating: 1 mA / 4 VDC Operating temperature: -20 ÷ +85°C  	<p>Cable length: 50 cm [19.69 inch]</p> <table border="1"> <thead> <tr> <th rowspan="2"></th> <th colspan="4">A</th> <th colspan="2">B</th> </tr> <tr> <th>mm</th> <th>inch</th> <th>mm</th> <th>inch</th> <th>mm</th> <th>inch</th> </tr> </thead> <tbody> <tr> <td><b>DCV 20</b></td> <td>55</td> <td>2.17</td> <td>—</td> <td>—</td> <td>50.5</td> <td>1.99</td> </tr> <tr> <td><b>DCV 40</b></td> <td>62.5</td> <td>2.46</td> <td>67.5</td> <td>2.66</td> <td>51.5</td> <td>2.03</td> </tr> </tbody> </table>		A				B		mm	inch	mm	inch	mm	inch	<b>DCV 20</b>	55	2.17	—	—	50.5	1.99	<b>DCV 40</b>	62.5	2.46	67.5	2.66	51.5	2.03
	A				B																								
	mm	inch	mm	inch	mm	inch																							
<b>DCV 20</b>	55	2.17	—	—	50.5	1.99																							
<b>DCV 40</b>	62.5	2.46	67.5	2.66	51.5	2.03																							

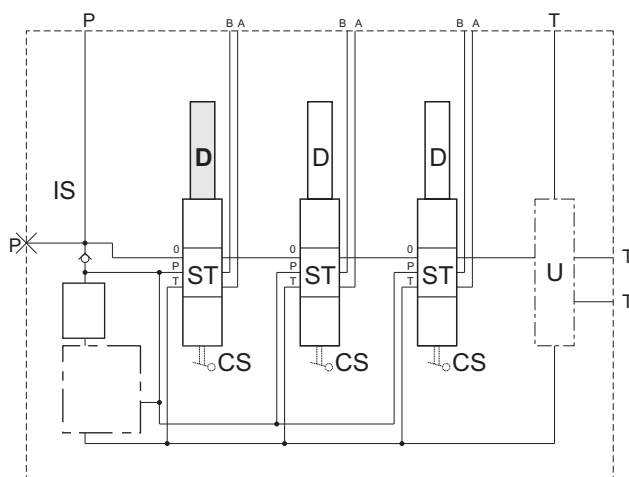
(1) **CSA** = Aluminium version (only DCV40)

MONOBLOCK

**CS\*\* Spool control side A**

**	Description	Drawing																											
<b>CS21</b> <b>CSA21</b> (1)	Handle 180° with microswitch in "a" and "b" Protection degree: IP67 Nominal rating: 0.1 ÷ 10 A / 250VAC Minimum rating: 1 mA / 4 VDC Operating temperature: -20 ÷ +85°C	<p>Cable length: 50 cm [19.69 inch]</p> <table border="1"> <thead> <tr> <th rowspan="2"></th> <th colspan="2">CS21</th> <th colspan="2">CSA21</th> <th colspan="2">B</th> </tr> <tr> <th>mm</th> <th>inch</th> <th>mm</th> <th>inch</th> <th>mm</th> <th>inch</th> </tr> </thead> <tbody> <tr> <td><b>DCV 20</b></td> <td>55</td> <td>2.17</td> <td>—</td> <td>—</td> <td>50.5</td> <td>1.99</td> </tr> <tr> <td><b>DCV 40</b></td> <td>62.5</td> <td>2.46</td> <td>67.5</td> <td>2.66</td> <td>51.5</td> <td>2.03</td> </tr> </tbody> </table>		CS21		CSA21		B		mm	inch	mm	inch	mm	inch	<b>DCV 20</b>	55	2.17	—	—	50.5	1.99	<b>DCV 40</b>	62.5	2.46	67.5	2.66	51.5	2.03
	CS21			CSA21		B																							
	mm	inch	mm	inch	mm	inch																							
<b>DCV 20</b>	55	2.17	—	—	50.5	1.99																							
<b>DCV 40</b>	62.5	2.46	67.5	2.66	51.5	2.03																							
<b>CS22</b> <b>CSA22</b> (1)	Handle 180° with microswitch in "a" Protection degree: IP67 Nominal rating: 0.1 ÷ 10 A / 250VAC Minimum rating: 1 mA / 4 VDC Operating temperature: -20 ÷ +85°C	<p>Cable length: 50 cm [19.69 inch]</p> <table border="1"> <thead> <tr> <th rowspan="2"></th> <th colspan="2">CS22</th> <th colspan="2">CSA22</th> <th colspan="2">B</th> </tr> <tr> <th>mm</th> <th>inch</th> <th>mm</th> <th>inch</th> <th>mm</th> <th>inch</th> </tr> </thead> <tbody> <tr> <td><b>DCV 20</b></td> <td>55</td> <td>2.17</td> <td>—</td> <td>—</td> <td>50.5</td> <td>1.99</td> </tr> <tr> <td><b>DCV 40</b></td> <td>62.5</td> <td>2.46</td> <td>67.5</td> <td>2.66</td> <td>51.5</td> <td>2.03</td> </tr> </tbody> </table>		CS22		CSA22		B		mm	inch	mm	inch	mm	inch	<b>DCV 20</b>	55	2.17	—	—	50.5	1.99	<b>DCV 40</b>	62.5	2.46	67.5	2.66	51.5	2.03
	CS22			CSA22		B																							
	mm	inch	mm	inch	mm	inch																							
<b>DCV 20</b>	55	2.17	—	—	50.5	1.99																							
<b>DCV 40</b>	62.5	2.46	67.5	2.66	51.5	2.03																							
<b>CS23</b> <b>CSA23</b> (1)	Handle 180° with microswitch in "b" Protection degree: IP67 Nominal rating: 0.1 ÷ 10 A / 250VAC Minimum rating: 1 mA / 4 VDC Operating temperature: -20 ÷ +85°C	<p>Cable length: 50 cm [19.69 inch]</p> <table border="1"> <thead> <tr> <th rowspan="2"></th> <th colspan="2">CS23</th> <th colspan="2">CSA23</th> <th colspan="2">B</th> </tr> <tr> <th>mm</th> <th>inch</th> <th>mm</th> <th>inch</th> <th>mm</th> <th>inch</th> </tr> </thead> <tbody> <tr> <td><b>DCV 20</b></td> <td>55</td> <td>2.17</td> <td>—</td> <td>—</td> <td>50.5</td> <td>1.99</td> </tr> <tr> <td><b>DCV 40</b></td> <td>62.5</td> <td>2.46</td> <td>67.5</td> <td>2.66</td> <td>51.5</td> <td>2.03</td> </tr> </tbody> </table>		CS23		CSA23		B		mm	inch	mm	inch	mm	inch	<b>DCV 20</b>	55	2.17	—	—	50.5	1.99	<b>DCV 40</b>	62.5	2.46	67.5	2.66	51.5	2.03
	CS23			CSA23		B																							
	mm	inch	mm	inch	mm	inch																							
<b>DCV 20</b>	55	2.17	—	—	50.5	1.99																							
<b>DCV 40</b>	62.5	2.46	67.5	2.66	51.5	2.03																							
<b>CS24</b> <b>CSA24</b> (1)	Handle 180° with microswitch in 4th position Protection degree: IP67 Nominal rating: 0.1 ÷ 10 A / 250VAC Minimum rating: 1 mA / 4 VDC Operating temperature: -20 ÷ +85°C	<p>Cable length: 50 cm [19.69 inch]</p> <table border="1"> <thead> <tr> <th rowspan="2"></th> <th colspan="2">CS24</th> <th colspan="2">CSA24</th> <th colspan="2">B</th> </tr> <tr> <th>mm</th> <th>inch</th> <th>mm</th> <th>inch</th> <th>mm</th> <th>inch</th> </tr> </thead> <tbody> <tr> <td><b>DCV 20</b></td> <td>55</td> <td>2.17</td> <td>—</td> <td>—</td> <td>50.5</td> <td>1.99</td> </tr> <tr> <td><b>DCV 40</b></td> <td>62.5</td> <td>2.46</td> <td>67.5</td> <td>2.66</td> <td>51.5</td> <td>2.03</td> </tr> </tbody> </table>		CS24		CSA24		B		mm	inch	mm	inch	mm	inch	<b>DCV 20</b>	55	2.17	—	—	50.5	1.99	<b>DCV 40</b>	62.5	2.46	67.5	2.66	51.5	2.03
	CS24			CSA24		B																							
	mm	inch	mm	inch	mm	inch																							
<b>DCV 20</b>	55	2.17	—	—	50.5	1.99																							
<b>DCV 40</b>	62.5	2.46	67.5	2.66	51.5	2.03																							

 (1) **CSA** = Aluminium version (only DCV40)


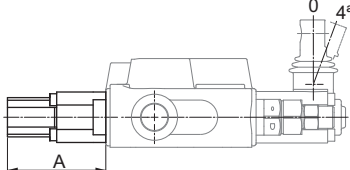
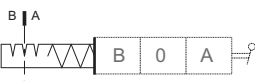
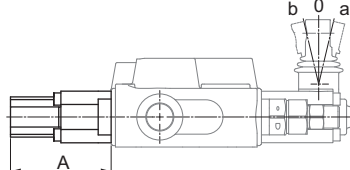

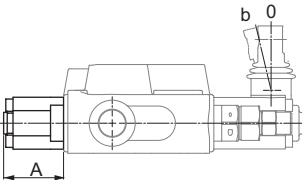

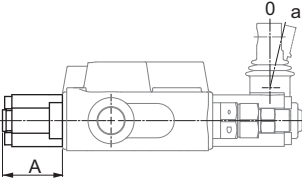

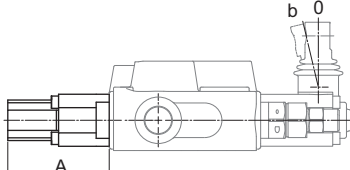
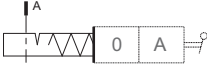
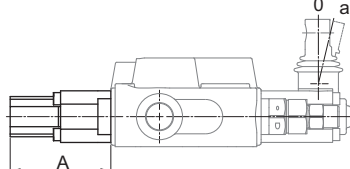

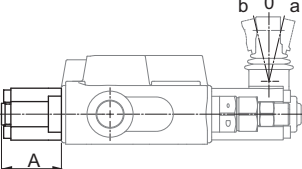


## D\*\* Positioning / Control side B

**	Description	Drawing																												
<b>D1</b> <b>DA1</b> (1)	3 positions, spring centred spool 	 <table border="1"> <thead> <tr> <th></th> <th colspan="2">D1</th> <th colspan="2">A</th> <th colspan="2">DA1</th> </tr> <tr> <th></th> <th>mm</th> <th>inch</th> <th>mm</th> <th>inch</th> <th>mm</th> <th>inch</th> </tr> </thead> <tbody> <tr> <td><b>DCV 20</b></td> <td>36.5</td> <td>1.03</td> <td>—</td> <td>—</td> <td>—</td> <td>—</td> </tr> <tr> <td><b>DCV 40</b></td> <td>41.5</td> <td>1.63</td> <td>42</td> <td>1.65</td> <td>—</td> <td>—</td> </tr> </tbody> </table>		D1		A		DA1			mm	inch	mm	inch	mm	inch	<b>DCV 20</b>	36.5	1.03	—	—	—	—	<b>DCV 40</b>	41.5	1.63	42	1.65	—	—
	D1		A		DA1																									
	mm	inch	mm	inch	mm	inch																								
<b>DCV 20</b>	36.5	1.03	—	—	—	—																								
<b>DCV 40</b>	41.5	1.63	42	1.65	—	—																								
<b>D2</b> <b>DA2</b> (1)	3 positions, spring centred spool, detent in "a" and "b" 	 <table border="1"> <thead> <tr> <th></th> <th colspan="2">D2</th> <th colspan="2">A</th> <th colspan="2">DA2</th> </tr> <tr> <th></th> <th>mm</th> <th>inch</th> <th>mm</th> <th>inch</th> <th>mm</th> <th>inch</th> </tr> </thead> <tbody> <tr> <td><b>DCV 20</b></td> <td>60</td> <td>2.36</td> <td>—</td> <td>—</td> <td>—</td> <td>—</td> </tr> <tr> <td><b>DCV 40</b></td> <td>72.5</td> <td>2.85</td> <td>72.5</td> <td>2.85</td> <td>—</td> <td>—</td> </tr> </tbody> </table>		D2		A		DA2			mm	inch	mm	inch	mm	inch	<b>DCV 20</b>	60	2.36	—	—	—	—	<b>DCV 40</b>	72.5	2.85	72.5	2.85	—	—
	D2		A		DA2																									
	mm	inch	mm	inch	mm	inch																								
<b>DCV 20</b>	60	2.36	—	—	—	—																								
<b>DCV 40</b>	72.5	2.85	72.5	2.85	—	—																								
<b>D3</b> <b>DA3</b> (1)	3 positions, spring centred spool, detent in "a" 	 <table border="1"> <thead> <tr> <th></th> <th colspan="2">D3</th> <th colspan="2">A</th> <th colspan="2">DA3</th> </tr> <tr> <th></th> <th>mm</th> <th>inch</th> <th>mm</th> <th>inch</th> <th>mm</th> <th>inch</th> </tr> </thead> <tbody> <tr> <td><b>DCV 20</b></td> <td>60</td> <td>2.36</td> <td>—</td> <td>—</td> <td>—</td> <td>—</td> </tr> <tr> <td><b>DCV 40</b></td> <td>72.5</td> <td>2.85</td> <td>72.5</td> <td>2.85</td> <td>—</td> <td>—</td> </tr> </tbody> </table>		D3		A		DA3			mm	inch	mm	inch	mm	inch	<b>DCV 20</b>	60	2.36	—	—	—	—	<b>DCV 40</b>	72.5	2.85	72.5	2.85	—	—
	D3		A		DA3																									
	mm	inch	mm	inch	mm	inch																								
<b>DCV 20</b>	60	2.36	—	—	—	—																								
<b>DCV 40</b>	72.5	2.85	72.5	2.85	—	—																								
<b>D4</b> <b>DA4</b> (1)	3 positions, spring centred spool, detent in "b" 	 <table border="1"> <thead> <tr> <th></th> <th colspan="2">D4</th> <th colspan="2">A</th> <th colspan="2">DA4</th> </tr> <tr> <th></th> <th>mm</th> <th>inch</th> <th>mm</th> <th>inch</th> <th>mm</th> <th>inch</th> </tr> </thead> <tbody> <tr> <td><b>DCV 20</b></td> <td>60</td> <td>2.36</td> <td>—</td> <td>—</td> <td>—</td> <td>—</td> </tr> <tr> <td><b>DCV 40</b></td> <td>72.5</td> <td>2.85</td> <td>72.5</td> <td>2.85</td> <td>—</td> <td>—</td> </tr> </tbody> </table>		D4		A		DA4			mm	inch	mm	inch	mm	inch	<b>DCV 20</b>	60	2.36	—	—	—	—	<b>DCV 40</b>	72.5	2.85	72.5	2.85	—	—
	D4		A		DA4																									
	mm	inch	mm	inch	mm	inch																								
<b>DCV 20</b>	60	2.36	—	—	—	—																								
<b>DCV 40</b>	72.5	2.85	72.5	2.85	—	—																								
<b>D5</b> <b>DA5</b> (1)	4 positions, spring centred spool, detent in 4th position 	 <table border="1"> <thead> <tr> <th></th> <th colspan="2">D5</th> <th colspan="2">A</th> <th colspan="2">DA5</th> </tr> <tr> <th></th> <th>mm</th> <th>inch</th> <th>mm</th> <th>inch</th> <th>mm</th> <th>inch</th> </tr> </thead> <tbody> <tr> <td><b>DCV 20</b></td> <td>60</td> <td>2.36</td> <td>—</td> <td>—</td> <td>—</td> <td>—</td> </tr> <tr> <td><b>DCV 40</b></td> <td>72.5</td> <td>2.85</td> <td>72.5</td> <td>2.85</td> <td>—</td> <td>—</td> </tr> </tbody> </table>		D5		A		DA5			mm	inch	mm	inch	mm	inch	<b>DCV 20</b>	60	2.36	—	—	—	—	<b>DCV 40</b>	72.5	2.85	72.5	2.85	—	—
	D5		A		DA5																									
	mm	inch	mm	inch	mm	inch																								
<b>DCV 20</b>	60	2.36	—	—	—	—																								
<b>DCV 40</b>	72.5	2.85	72.5	2.85	—	—																								

(1) **DA** = Aluminium version (only DCV40)

**D\*\* Positioning / Control side B**

**	Description	Drawing																												
<b>D6</b> <b>DA6</b> (1)	4 positions, spring centred spool, sensitive 4th position, without detent  		<table border="1"> <thead> <tr> <th rowspan="2"></th> <th colspan="2">D6</th> <th colspan="2">A</th> <th colspan="2">DA6</th> </tr> <tr> <th>mm</th> <th>inch</th> <th>mm</th> <th>inch</th> <th>mm</th> <th>inch</th> </tr> </thead> <tbody> <tr> <td><b>DCV 20</b></td> <td>60</td> <td>2.36</td> <td>—</td> <td>—</td> <td>—</td> <td>—</td> </tr> <tr> <td><b>DCV 40</b></td> <td>72.5</td> <td>2.85</td> <td>72.5</td> <td>2.85</td> <td>—</td> <td>—</td> </tr> </tbody> </table>		D6		A		DA6		mm	inch	mm	inch	mm	inch	<b>DCV 20</b>	60	2.36	—	—	—	—	<b>DCV 40</b>	72.5	2.85	72.5	2.85	—	—
					D6		A		DA6																					
mm	inch	mm		inch	mm	inch																								
<b>DCV 20</b>	60	2.36	—	—	—	—																								
<b>DCV 40</b>	72.5	2.85	72.5	2.85	—	—																								
<b>D7</b> <b>DA7</b> (1)	3 positions, spring centred spool, detent in "a" - "0" - "b"  		<table border="1"> <thead> <tr> <th rowspan="2"></th> <th colspan="2">D7</th> <th colspan="2">A</th> <th colspan="2">DA7</th> </tr> <tr> <th>mm</th> <th>inch</th> <th>mm</th> <th>inch</th> <th>mm</th> <th>inch</th> </tr> </thead> <tbody> <tr> <td><b>DCV 20</b></td> <td>60</td> <td>2.36</td> <td>—</td> <td>—</td> <td>—</td> <td>—</td> </tr> <tr> <td><b>DCV 40</b></td> <td>72.5</td> <td>2.85</td> <td>72.5</td> <td>2.85</td> <td>—</td> <td>—</td> </tr> </tbody> </table>		D7		A		DA7		mm	inch	mm	inch	mm	inch	<b>DCV 20</b>	60	2.36	—	—	—	—	<b>DCV 40</b>	72.5	2.85	72.5	2.85	—	—
					D7		A		DA7																					
mm	inch	mm		inch	mm	inch																								
<b>DCV 20</b>	60	2.36	—	—	—	—																								
<b>DCV 40</b>	72.5	2.85	72.5	2.85	—	—																								
<b>D8</b> <b>DA8</b> (1)	2 positions ("0" - "b"), spring centred spool  		<table border="1"> <thead> <tr> <th rowspan="2"></th> <th colspan="2">D8</th> <th colspan="2">A</th> <th colspan="2">DA8</th> </tr> <tr> <th>mm</th> <th>inch</th> <th>mm</th> <th>inch</th> <th>mm</th> <th>inch</th> </tr> </thead> <tbody> <tr> <td><b>DCV 20</b></td> <td>36.5</td> <td>1.03</td> <td>—</td> <td>—</td> <td>—</td> <td>—</td> </tr> <tr> <td><b>DCV 40</b></td> <td>41.5</td> <td>1.63</td> <td>42</td> <td>1.65</td> <td>—</td> <td>—</td> </tr> </tbody> </table>		D8		A		DA8		mm	inch	mm	inch	mm	inch	<b>DCV 20</b>	36.5	1.03	—	—	—	—	<b>DCV 40</b>	41.5	1.63	42	1.65	—	—
					D8		A		DA8																					
mm	inch	mm		inch	mm	inch																								
<b>DCV 20</b>	36.5	1.03	—	—	—	—																								
<b>DCV 40</b>	41.5	1.63	42	1.65	—	—																								
<b>D9</b> <b>DA9</b> (1)	2 positions ("0" - "a"), spring centred spool  		<table border="1"> <thead> <tr> <th rowspan="2"></th> <th colspan="2">D9</th> <th colspan="2">A</th> <th colspan="2">DA9</th> </tr> <tr> <th>mm</th> <th>inch</th> <th>mm</th> <th>inch</th> <th>mm</th> <th>inch</th> </tr> </thead> <tbody> <tr> <td><b>DCV 20</b></td> <td>36.5</td> <td>1.03</td> <td>—</td> <td>—</td> <td>—</td> <td>—</td> </tr> <tr> <td><b>DCV 40</b></td> <td>41.5</td> <td>1.63</td> <td>42</td> <td>1.65</td> <td>—</td> <td>—</td> </tr> </tbody> </table>		D9		A		DA9		mm	inch	mm	inch	mm	inch	<b>DCV 20</b>	36.5	1.03	—	—	—	—	<b>DCV 40</b>	41.5	1.63	42	1.65	—	—
					D9		A		DA9																					
mm	inch	mm		inch	mm	inch																								
<b>DCV 20</b>	36.5	1.03	—	—	—	—																								
<b>DCV 40</b>	41.5	1.63	42	1.65	—	—																								
<b>D10</b> <b>DA10</b> (1)	2 positions ("0" - "b"), spring centred spool, detent in "b"  		<table border="1"> <thead> <tr> <th rowspan="2"></th> <th colspan="2">D10</th> <th colspan="2">A</th> <th colspan="2">DA10</th> </tr> <tr> <th>mm</th> <th>inch</th> <th>mm</th> <th>inch</th> <th>mm</th> <th>inch</th> </tr> </thead> <tbody> <tr> <td><b>DCV 20</b></td> <td>60</td> <td>2.36</td> <td>—</td> <td>—</td> <td>—</td> <td>—</td> </tr> <tr> <td><b>DCV 40</b></td> <td>72.5</td> <td>2.85</td> <td>72.5</td> <td>2.85</td> <td>—</td> <td>—</td> </tr> </tbody> </table>		D10		A		DA10		mm	inch	mm	inch	mm	inch	<b>DCV 20</b>	60	2.36	—	—	—	—	<b>DCV 40</b>	72.5	2.85	72.5	2.85	—	—
					D10		A		DA10																					
mm	inch	mm		inch	mm	inch																								
<b>DCV 20</b>	60	2.36	—	—	—	—																								
<b>DCV 40</b>	72.5	2.85	72.5	2.85	—	—																								
<b>D11</b> <b>DA11</b> (1)	2 positions ("0" - "a"), spring centred spool, detent in "a"  		<table border="1"> <thead> <tr> <th rowspan="2"></th> <th colspan="2">D11</th> <th colspan="2">A</th> <th colspan="2">DA11</th> </tr> <tr> <th>mm</th> <th>inch</th> <th>mm</th> <th>inch</th> <th>mm</th> <th>inch</th> </tr> </thead> <tbody> <tr> <td><b>DCV 20</b></td> <td>60</td> <td>2.36</td> <td>—</td> <td>—</td> <td>—</td> <td>—</td> </tr> <tr> <td><b>DCV 40</b></td> <td>72.5</td> <td>2.85</td> <td>72.5</td> <td>2.85</td> <td>—</td> <td>—</td> </tr> </tbody> </table>		D11		A		DA11		mm	inch	mm	inch	mm	inch	<b>DCV 20</b>	60	2.36	—	—	—	—	<b>DCV 40</b>	72.5	2.85	72.5	2.85	—	—
					D11		A		DA11																					
mm	inch	mm		inch	mm	inch																								
<b>DCV 20</b>	60	2.36	—	—	—	—																								
<b>DCV 40</b>	72.5	2.85	72.5	2.85	—	—																								
<b>D12</b> <b>DA12</b> (1)	3 positions free (without spring)  		<table border="1"> <thead> <tr> <th rowspan="2"></th> <th colspan="2">D12</th> <th colspan="2">A</th> <th colspan="2">DA12</th> </tr> <tr> <th>mm</th> <th>inch</th> <th>mm</th> <th>inch</th> <th>mm</th> <th>inch</th> </tr> </thead> <tbody> <tr> <td><b>DCV 20</b></td> <td>36.5</td> <td>1.03</td> <td>—</td> <td>—</td> <td>—</td> <td>—</td> </tr> <tr> <td><b>DCV 40</b></td> <td>41.5</td> <td>1.63</td> <td>42</td> <td>1.65</td> <td>—</td> <td>—</td> </tr> </tbody> </table>		D12		A		DA12		mm	inch	mm	inch	mm	inch	<b>DCV 20</b>	36.5	1.03	—	—	—	—	<b>DCV 40</b>	41.5	1.63	42	1.65	—	—
					D12		A		DA12																					
mm	inch	mm		inch	mm	inch																								
<b>DCV 20</b>	36.5	1.03	—	—	—	—																								
<b>DCV 40</b>	41.5	1.63	42	1.65	—	—																								

(1) **DA** = Aluminium version (only DCV40)

## D\*\* Positioning / Control side B

**	Description	Drawing																							
<b>D13</b> <b>DA13</b> (1)	Prearranged for double control 		<table border="1"> <thead> <tr> <th rowspan="2"></th> <th colspan="2">A</th> <th colspan="2">B</th> </tr> <tr> <th>mm</th> <th>inch</th> <th>mm</th> <th>inch</th> </tr> </thead> <tbody> <tr> <td><b>DCV 20</b></td> <td>58</td> <td>2.28</td> <td>M6</td> <td></td> </tr> <tr> <td><b>DCV 40</b></td> <td>71</td> <td>2.80</td> <td>M8</td> <td></td> </tr> </tbody> </table>					A		B		mm	inch	mm	inch	<b>DCV 20</b>	58	2.28	M6		<b>DCV 40</b>	71	2.80	M8	
				A		B																			
mm	inch	mm		inch																					
<b>DCV 20</b>	58	2.28	M6																						
<b>DCV 40</b>	71	2.80	M8																						
<b>D14</b>	ON-OFF pneumatic control - Pilot pressure 5-10 bar 72.5-145 psi 		<table border="1"> <thead> <tr> <th rowspan="2"></th> <th colspan="2">A</th> <th colspan="2">B</th> </tr> <tr> <th>mm</th> <th>inch</th> <th>mm</th> <th>inch</th> </tr> </thead> <tbody> <tr> <td><b>DCV 20</b></td> <td>111</td> <td>4.37</td> <td>1/8" BSP</td> <td></td> </tr> <tr> <td><b>DCV 40</b></td> <td>119.5</td> <td>4.70</td> <td>1/8" BSP</td> <td></td> </tr> </tbody> </table>					A		B		mm	inch	mm	inch	<b>DCV 20</b>	111	4.37	1/8" BSP		<b>DCV 40</b>	119.5	4.70	1/8" BSP	
				A		B																			
mm	inch	mm		inch																					
<b>DCV 20</b>	111	4.37	1/8" BSP																						
<b>DCV 40</b>	119.5	4.70	1/8" BSP																						
<b>D15</b> (2)	Electrohydraulic ON-OFF control. Voltage 12Vdc with pressure reducing valve - Pilot pressure 20 bar 290 psi 		<table border="1"> <thead> <tr> <th rowspan="2"></th> <th colspan="2">A</th> <th colspan="2">B</th> </tr> <tr> <th>mm</th> <th>inch</th> <th>mm</th> <th>inch</th> </tr> </thead> <tbody> <tr> <td><b>DCV 20</b></td> <td>91</td> <td>3.58</td> <td>104.5</td> <td>4.11</td> </tr> <tr> <td><b>DCV 40</b></td> <td>96</td> <td>3.78</td> <td>106.5</td> <td>4.19</td> </tr> </tbody> </table>					A		B		mm	inch	mm	inch	<b>DCV 20</b>	91	3.58	104.5	4.11	<b>DCV 40</b>	96	3.78	106.5	4.19
				A		B																			
mm	inch	mm		inch																					
<b>DCV 20</b>	91	3.58	104.5	4.11																					
<b>DCV 40</b>	96	3.78	106.5	4.19																					
<table border="1"> <tr> <td>Connector</td> <td>wires 30 cm</td> </tr> <tr> <td>Protection degree</td> <td>IP65</td> </tr> <tr> <td>Ambient temperature</td> <td>-30 +60 °C</td> </tr> <tr> <td>Nominal power</td> <td>10 W</td> </tr> </table>			Connector	wires 30 cm	Protection degree	IP65	Ambient temperature	-30 +60 °C	Nominal power	10 W															
Connector	wires 30 cm																								
Protection degree	IP65																								
Ambient temperature	-30 +60 °C																								
Nominal power	10 W																								
<b>D16</b> (2)	Electrohydraulic ON-OFF control. Voltage 12Vdc without pressure reducing valve - Pilot pressure 20 bar 290 psi 		<table border="1"> <thead> <tr> <th rowspan="2"></th> <th colspan="2">A</th> <th colspan="2">B</th> </tr> <tr> <th>mm</th> <th>inch</th> <th>mm</th> <th>inch</th> </tr> </thead> <tbody> <tr> <td><b>DCV 20</b></td> <td>91</td> <td>3.58</td> <td>104.5</td> <td>4.11</td> </tr> <tr> <td><b>DCV 40</b></td> <td>96</td> <td>3.78</td> <td>106.5</td> <td>4.19</td> </tr> </tbody> </table>					A		B		mm	inch	mm	inch	<b>DCV 20</b>	91	3.58	104.5	4.11	<b>DCV 40</b>	96	3.78	106.5	4.19
				A		B																			
mm	inch	mm		inch																					
<b>DCV 20</b>	91	3.58	104.5	4.11																					
<b>DCV 40</b>	96	3.78	106.5	4.19																					
<table border="1"> <tr> <td>Connector</td> <td>wires 30 cm</td> </tr> <tr> <td>Protection degree</td> <td>IP65</td> </tr> <tr> <td>Ambient temperature</td> <td>-30 +60 °C</td> </tr> <tr> <td>Nominal power</td> <td>10 W</td> </tr> </table>			Connector	wires 30 cm	Protection degree	IP65	Ambient temperature	-30 +60 °C	Nominal power	10 W															
Connector	wires 30 cm																								
Protection degree	IP65																								
Ambient temperature	-30 +60 °C																								
Nominal power	10 W																								
<b>D17</b> (2)	Electrohydraulic ON-OFF control. Voltage 24Vdc with pressure reducing valve - Pilot pressure 20 bar 290 psi 		<table border="1"> <thead> <tr> <th rowspan="2"></th> <th colspan="2">A</th> <th colspan="2">B</th> </tr> <tr> <th>mm</th> <th>inch</th> <th>mm</th> <th>inch</th> </tr> </thead> <tbody> <tr> <td><b>DCV 20</b></td> <td>91</td> <td>3.58</td> <td>104.5</td> <td>4.11</td> </tr> <tr> <td><b>DCV 40</b></td> <td>96</td> <td>3.78</td> <td>106.5</td> <td>4.19</td> </tr> </tbody> </table>					A		B		mm	inch	mm	inch	<b>DCV 20</b>	91	3.58	104.5	4.11	<b>DCV 40</b>	96	3.78	106.5	4.19
				A		B																			
mm	inch	mm		inch																					
<b>DCV 20</b>	91	3.58	104.5	4.11																					
<b>DCV 40</b>	96	3.78	106.5	4.19																					
<table border="1"> <tr> <td>Connector</td> <td>wires 30 cm</td> </tr> <tr> <td>Protection degree</td> <td>IP65</td> </tr> <tr> <td>Ambient temperature</td> <td>-30 +60 °C</td> </tr> <tr> <td>Nominal power</td> <td>10 W</td> </tr> </table>			Connector	wires 30 cm	Protection degree	IP65	Ambient temperature	-30 +60 °C	Nominal power	10 W															
Connector	wires 30 cm																								
Protection degree	IP65																								
Ambient temperature	-30 +60 °C																								
Nominal power	10 W																								
<b>D18</b> (2)	Electrohydraulic ON-OFF control. Voltage 24Vdc without pressure reducing valve - Pilot pressure 20 bar 290 psi 		<table border="1"> <thead> <tr> <th rowspan="2"></th> <th colspan="2">A</th> <th colspan="2">B</th> </tr> <tr> <th>mm</th> <th>inch</th> <th>mm</th> <th>inch</th> </tr> </thead> <tbody> <tr> <td><b>DCV 20</b></td> <td>91</td> <td>3.58</td> <td>104.5</td> <td>4.11</td> </tr> <tr> <td><b>DCV 40</b></td> <td>96</td> <td>3.78</td> <td>106.5</td> <td>4.19</td> </tr> </tbody> </table>					A		B		mm	inch	mm	inch	<b>DCV 20</b>	91	3.58	104.5	4.11	<b>DCV 40</b>	96	3.78	106.5	4.19
				A		B																			
mm	inch	mm		inch																					
<b>DCV 20</b>	91	3.58	104.5	4.11																					
<b>DCV 40</b>	96	3.78	106.5	4.19																					
<table border="1"> <tr> <td>Connector</td> <td>wires 30 cm</td> </tr> <tr> <td>Protection degree</td> <td>IP65</td> </tr> <tr> <td>Ambient temperature</td> <td>-30 +60 °C</td> </tr> <tr> <td>Nominal power</td> <td>10 W</td> </tr> </table>			Connector	wires 30 cm	Protection degree	IP65	Ambient temperature	-30 +60 °C	Nominal power	10 W															
Connector	wires 30 cm																								
Protection degree	IP65																								
Ambient temperature	-30 +60 °C																								
Nominal power	10 W																								

(1) DA. = Aluminium version (only DCV40)

(2) Valid only for the first section with electrohydraulic control.

For proper operation it is required a pressure of 8 bar (116 psi) measured at the input P or P1.

MONOBLOCK

**D\*\* Positioning / Control side B**

**	Description	Drawing					
			A		B		
			mm	inch	mm	inch	
<b>D19</b> (3)	Electrohydraulic ON-OFF control. Voltage 12Vdc - Pilot pressure 20 bar 290 psi  T1 P1 		<b>DCV 20</b>	91	3.58	104.5	4.11
			<b>DCV 40</b>	96	3.78	106.5	4.19
			Connector		wires 30 cm		
			Protection degree		IP65		
			Ambient temperature		-30 +60 °C		
			Nominal power		10 W		
<b>D20</b> (3)	Electrohydraulic ON-OFF control. Voltage 24Vdc - Pilot pressure 20 bar 290 psi  T1 P1 		<b>DCV 20</b>	91	3.58	104.5	4.11
			<b>DCV 40</b>	96	3.78	106.5	4.19
			Connector		wires 30 cm		
			Protection degree		IP65		
			Ambient temperature		-30 +60 °C		
			Nominal power		10 W		
<b>D21</b>	ON-OFF electro pneumatic control. Voltage 12Vdc - Pilot pressure 5-10 bar 72.5-145 psi  		<b>DCV 20</b>	111	4.37	101.5	4.00
			<b>DCV 40</b>	119.5	4.70	103.5	4.07
			Connector		DIN 43650-B ISO6952		
			Protection degree		IP65		
			Ambient temperature		-20 +40 °C		
			Nominal power		8 W		
<b>D22</b>	ON-OFF electro pneumatic control. Voltage 24Vdc - Pilot pressure 5-10 bar 72.5-145 psi  		<b>DCV 20</b>	111	4.37	101.5	4.00
			<b>DCV 40</b>	119.5	4.70	103.5	4.07
			Connector		DIN 43650-B ISO6952		
			Protection degree		IP65		
			Ambient temperature		-20 +40 °C		
			Nominal power		8 W		
<b>D23</b>	ON-OFF electro pneumatic control. Voltage 26Vdc - Pilot pressure 5-10 bar 72.5-145 psi  		<b>DCV 20</b>	111	4.37	101.5	4.00
			<b>DCV 40</b>	119.5	4.70	103.5	4.07
			Connector		DIN 43650-B ISO6952		
			Protection degree		IP65		
			Ambient temperature		-20 +40 °C		
			Nominal power		8 W		
<b>D24</b>	ON-OFF electro pneumatic control. Voltage 28Vdc - Pilot pressure 5-10 bar 72.5-145 psi  		<b>DCV 20</b>	111	4.37	101.5	4.00
			<b>DCV 40</b>	119.5	4.70	103.5	4.07
			Connector		DIN 43650-B ISO6952		
			Protection degree		IP65		
			Ambient temperature		-20 +40 °C		
			Nominal power		8 W		

(3) Valid only for the section following the first one



## D\*\* Positioning / Control side B

**	Description	Drawing																												
<b>D25</b> <b>DA25</b> (1)	Micro-switch in "a" and "b" Protection degree: IP67 Nominal power: 0.1 ÷ 10 A / 250VAC Minimum power: 1 mA / 4 VDC Operating temperature: -20 ÷ +85°C 	 Cable length: 50 cm [19.69 inch] <table border="1"> <thead> <tr> <th rowspan="2">DCV 40</th> <th colspan="2">A</th> <th colspan="2">B</th> </tr> <tr> <th>mm</th> <th>inch</th> <th>mm</th> <th>inch</th> </tr> </thead> <tbody> <tr> <td></td> <td>72.5</td> <td>2.85</td> <td>50</td> <td>1.97</td> </tr> </tbody> </table>	DCV 40	A		B		mm	inch	mm	inch		72.5	2.85	50	1.97														
DCV 40	A			B																										
	mm	inch	mm	inch																										
	72.5	2.85	50	1.97																										
<b>D26</b> <b>DA26</b> (1)	Micro-switch in "a" Protection degree: IP67 Nominal power: 0.1 ÷ 10 A / 250VAC Minimum power: 1 mA / 4 VDC Operating temperature: -20 ÷ +85°C 	 Cable length: 50 cm [19.69 inch] <table border="1"> <thead> <tr> <th rowspan="2">DCV 40</th> <th colspan="2">A</th> <th colspan="2">B</th> </tr> <tr> <th>mm</th> <th>inch</th> <th>mm</th> <th>inch</th> </tr> </thead> <tbody> <tr> <td></td> <td>72.5</td> <td>2.85</td> <td>50</td> <td>1.97</td> </tr> </tbody> </table>	DCV 40	A		B		mm	inch	mm	inch		72.5	2.85	50	1.97														
DCV 40	A			B																										
	mm	inch	mm	inch																										
	72.5	2.85	50	1.97																										
<b>D27</b> <b>DA27</b> (1)	Micro-switch in "b" Protection degree: IP67 Nominal power: 0.1 ÷ 10 A / 250VAC Minimum power: 1 mA / 4 VDC Operating temperature: -20 ÷ +85°C 	 Cable length: 50 cm [19.69 inch] <table border="1"> <thead> <tr> <th rowspan="2">DCV 40</th> <th colspan="2">A</th> <th colspan="2">B</th> </tr> <tr> <th>mm</th> <th>inch</th> <th>mm</th> <th>inch</th> </tr> </thead> <tbody> <tr> <td></td> <td>72.5</td> <td>2.85</td> <td>50</td> <td>1.97</td> </tr> </tbody> </table>	DCV 40	A		B		mm	inch	mm	inch		72.5	2.85	50	1.97														
DCV 40	A			B																										
	mm	inch	mm	inch																										
	72.5	2.85	50	1.97																										
<b>D29</b>	Detent with adjustable automatic hydraulic release in "a" and "b" 	 Cable length: 50 cm [19.69 inch] <table border="1"> <thead> <tr> <th rowspan="2">DCV 40</th> <th colspan="2">A</th> <th colspan="2">B</th> </tr> <tr> <th>mm</th> <th>inch</th> <th>mm</th> <th>inch</th> </tr> </thead> <tbody> <tr> <td></td> <td>70</td> <td>2.76</td> <td>50</td> <td>1.97</td> </tr> </tbody> </table>	DCV 40	A		B		mm	inch	mm	inch		70	2.76	50	1.97														
DCV 40	A			B																										
	mm	inch	mm	inch																										
	70	2.76	50	1.97																										
<b>D30</b> <b>DA30</b> (1)	Spool stroke adjustment in "a" 	 <table border="1"> <thead> <tr> <th rowspan="2">DCV 20</th> <th colspan="2">A</th> </tr> <tr> <th>mm</th> <th>inch</th> </tr> </thead> <tbody> <tr> <td></td> <td>57</td> <td>2.24</td> </tr> <tr> <th rowspan="2">DCV 40</th> <th colspan="2">A</th> </tr> <tr> <th>mm</th> <th>inch</th> </tr> <tr> <td></td> <td>62</td> <td>2.44</td> </tr> </tbody> </table>	DCV 20	A		mm	inch		57	2.24	DCV 40	A		mm	inch		62	2.44												
DCV 20	A																													
	mm	inch																												
	57	2.24																												
DCV 40	A																													
	mm	inch																												
	62	2.44																												
<b>D40</b> (2)	Flexible cable control (2) 	 <table border="1"> <thead> <tr> <th rowspan="2">DCV 20</th> <th colspan="2">A</th> <th colspan="2">B</th> </tr> <tr> <th>mm</th> <th>inch</th> <th>mm</th> <th>inch</th> </tr> </thead> <tbody> <tr> <td></td> <td>81</td> <td>3.19</td> <td>(2)</td> <td>(2)</td> </tr> <tr> <th rowspan="2">DCV 40</th> <th colspan="2">A</th> <th colspan="2">B</th> </tr> <tr> <th>mm</th> <th>inch</th> <th>mm</th> <th>inch</th> </tr> <tr> <td></td> <td>93</td> <td>3.66</td> <td>(2)</td> <td>(2)</td> </tr> </tbody> </table>	DCV 20	A		B		mm	inch	mm	inch		81	3.19	(2)	(2)	DCV 40	A		B		mm	inch	mm	inch		93	3.66	(2)	(2)
DCV 20	A			B																										
	mm	inch	mm	inch																										
	81	3.19	(2)	(2)																										
DCV 40	A		B																											
	mm	inch	mm	inch																										
	93	3.66	(2)	(2)																										

(1) DA = Aluminium version (only DCV40)

(2) Cable supplied on request. Length cable and control, contact our commercial dept

MONOBLOCK

Service port valves (optional field)

DCV\*\*/\* IS \* \*\*\* (\*\*\*) ST\*\* CS\*\* D\*\* **V\*\*(\*\*\*)** !W\* Xn U\* F\*

Service port valves optional, is required a special monoblock body.  
Omit for standard version (without valves, without prearranged for valve)

**V\*\*** Service port valves (1)

**	Description	Drawing
<b>VB1</b> (***) (2) (3)	Overload valve in position "B"	
<b>VB2</b> (3) (4)	Anti-cavitation valve in "B"	
<b>VB4</b> (3)	Prearranged for auxiliary valve in "B" with plug	

- (1) For DCV40, the service ports valves can not assembled with HPCO function.
- (2) Specify the relief valve setting (from 20 to 350 bar). During the order it is suggested to specify the flow rate.
- (3) For service port valves or prearranged for port valve with plug in "A" and/or "B" port please contact our commercial department.
- (4) Only for DCV20

Handle lever (optional field)

Working section repeated for n. times (optional filed)

DCV\*\*/\* IS \* \*\*\* (\*\*\*) ST\*\* CS\*\* D\*\* V\*\* **W\*** Xn U\* F\*

**W\*** Handle lever

**	Description	Drawing
<b>W1</b>	Standard DCV 20 For cloche control use W2	
<b>W2</b>	Standard DCV 40	

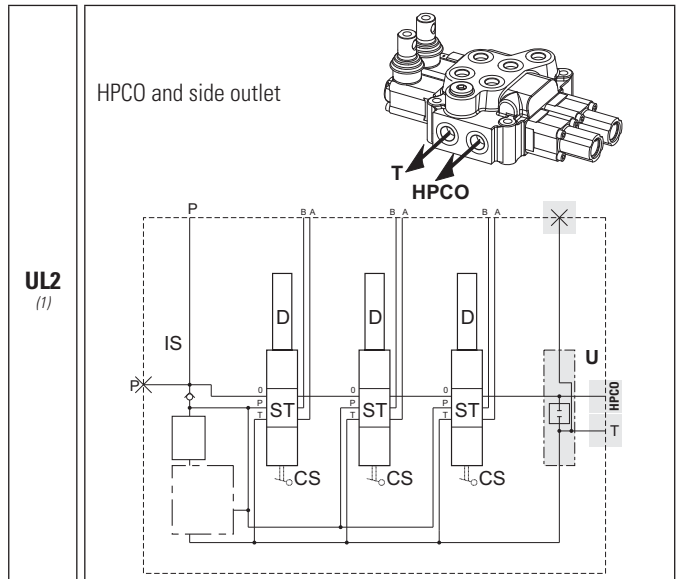
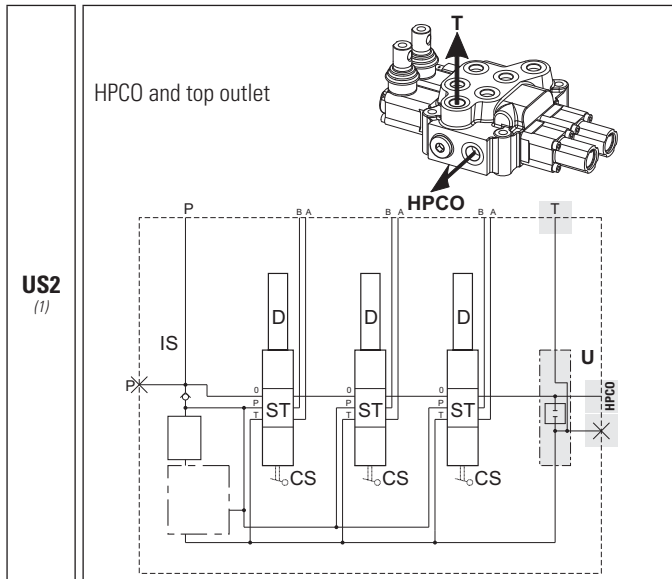
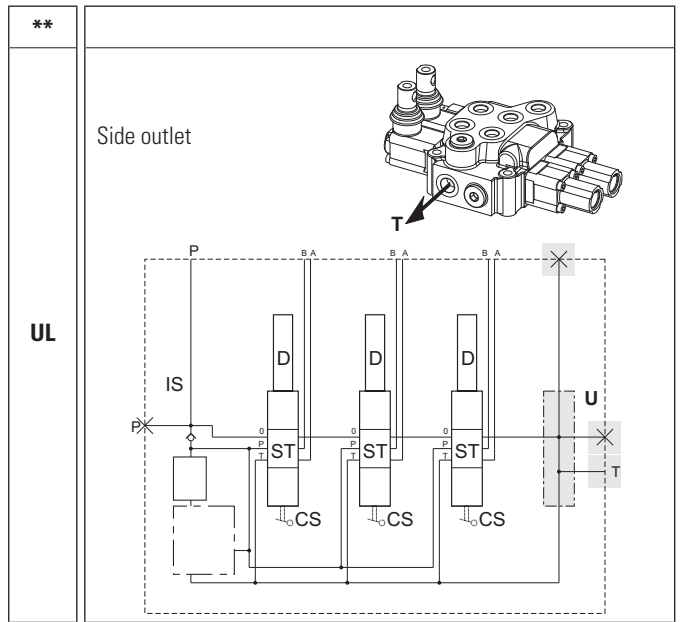
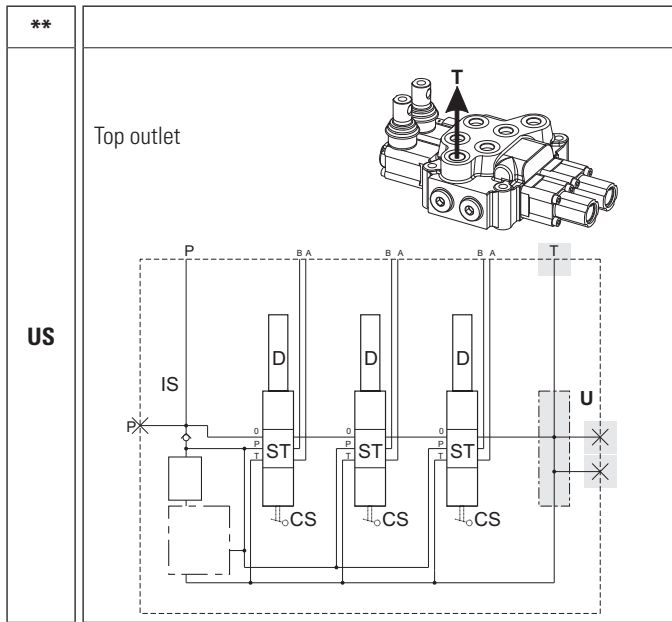
MONOBLOCK

# Outlet sections

Outlet

DCV\*\*/\* IS \* \*\*\* (\*\*\*) ST\*\* CS\*\* D\*\* V\*\* W\* Xn **U\*** F\*

## **U\*** Outlet



(1) For DCV40 the function HPCO (US2 – UL2) is not available in with service ports valves.

Threads

DCV\*\*/\* IS \* \*\*\* (\*\*\*) ST\*\* CS\*\* D\*\* V\*\* W\* Xn U\* **F\***

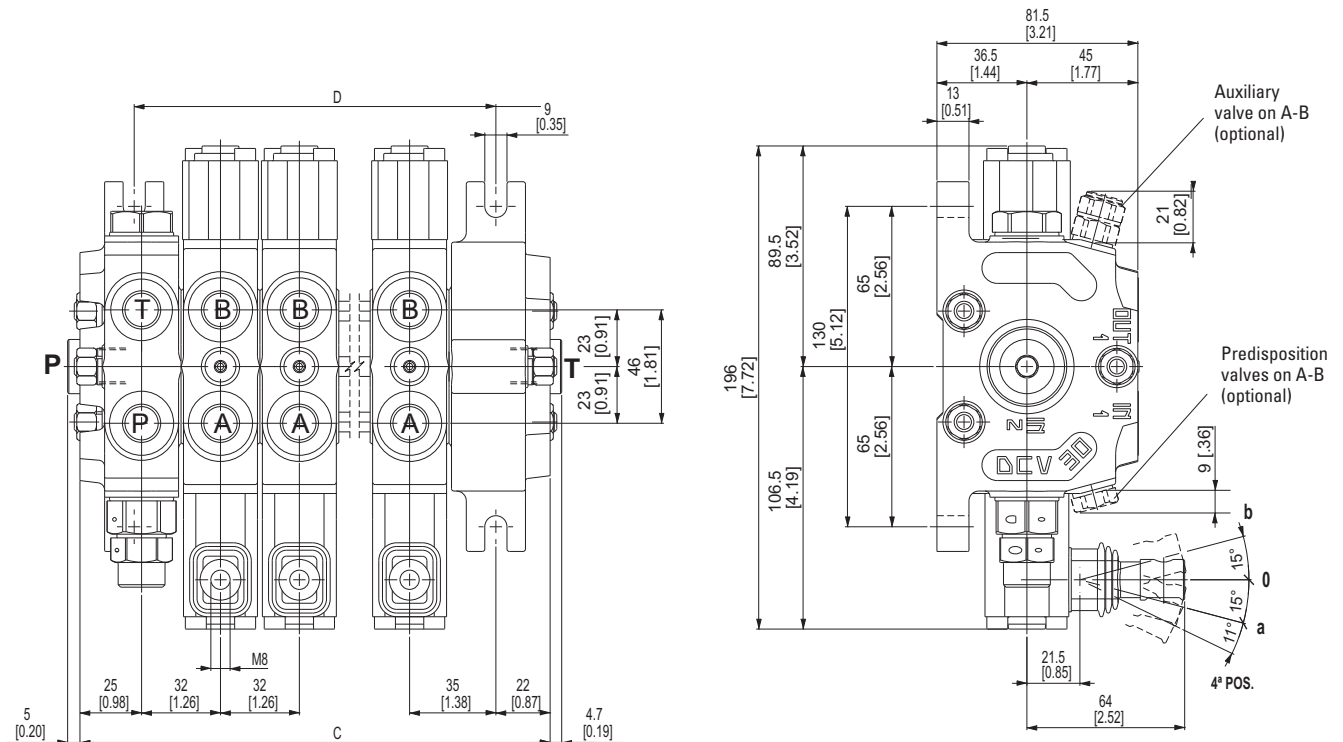
## **F\*** Threads

**	Description	DCV20 P-A-B-T-HPCO	DCV40 P-A-B-T-HPCO
<b>F3</b>	3/8" BSP	•	• (2)
<b>F4</b>	1/2" BSP		•
<b>F31</b>	9/16" - 18UNF (SAE 6)	•	
<b>F32</b>	3/4" - 16UNF (SAE 8)		•
<b>F33</b>	7/8" - 14UNF (SAE 10)		• (2)

(2) Threads availables on request

# Modular valve DCV30

## OVERALL DIMENSIONS



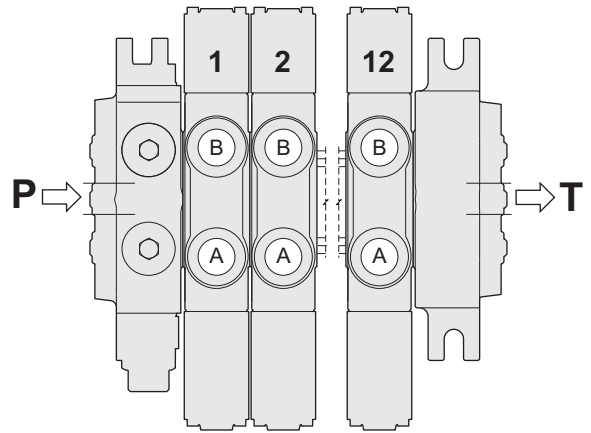
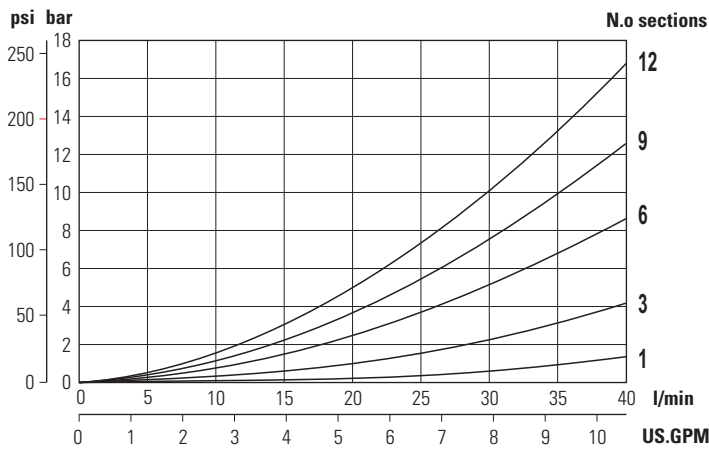
Tie-rod tightening torque: **35 Nm [25.8 lbf.ft]**

Type	C mm [inch]	D mm [inch]	Weight kg [lb]	Max flow l/min [GPM]	Max pressure BAR [psi]
DCV 30/1	114 [4.49]	70 [2.76]	4.70 [10.34]	40 [10.6]	350 [5075]
DCV 30/2	146 [5.75]	102 [4.02]	6.40 [14.08]		
DCV 30/3	178 [7.01]	134 [5.28]	8.10 [17.82]		
DCV 30/4	210 [8.27]	166 [6.54]	9.80 [21.56]		
DCV 30/5	242 [9.53]	198 [7.80]	11.50 [25.30]		
DCV 30/6	274 [10.79]	230 [9.06]	13.20 [29.04]		
DCV 30/7	306 [12.05]	262 [10.31]	14.90 [32.78]		
DCV 30/8	338 [13.31]	294 [11.57]	16.60 [36.52]		
DCV 30/9	370 [14.57]	326 [12.83]	18.30 [40.26]		
DCV 30/10	402 [15.83]	358 [14.09]	20.00 [44.00]		
DCV 30/11	434 [17.09]	390 [15.35]	21.70 [47.74]		
DCV 30/12	466 [18.35]	422 [16.61]	23.40 [51.48]		

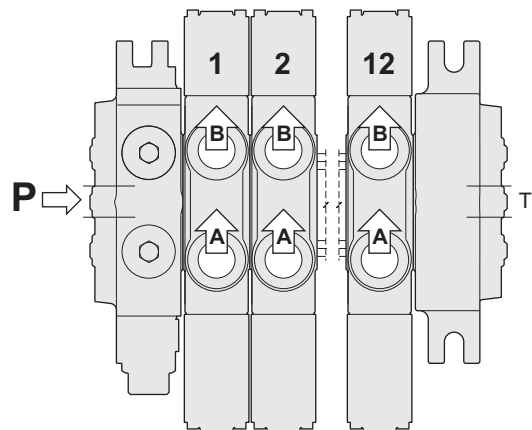
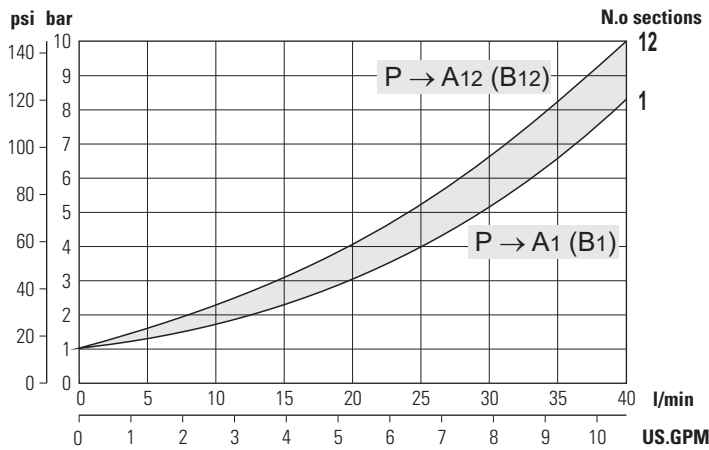
MODULAR

## CHARACTERISTIC PRESSURE DROP FLOW CURVES

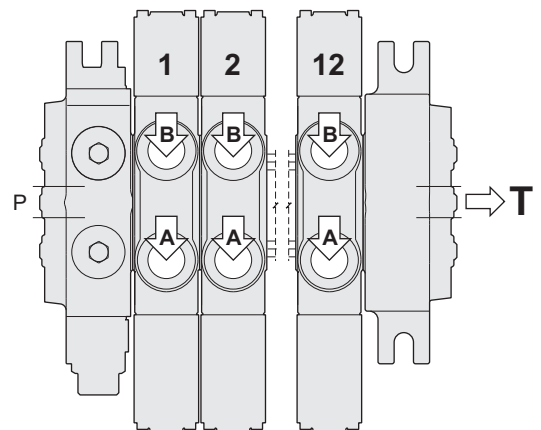
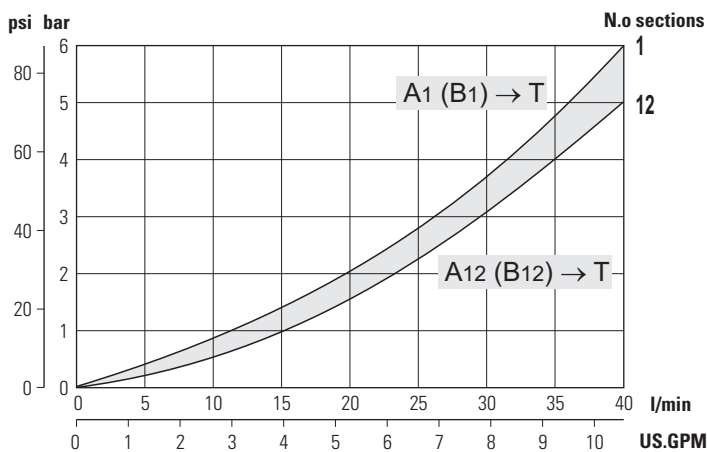
**Inlet pressure drop between P → T  
spool in central position**



**Inlet pressure drop between P → A (B)  
spool in working position**



**Inlet pressure drop between A (B) → T  
spool in working position**

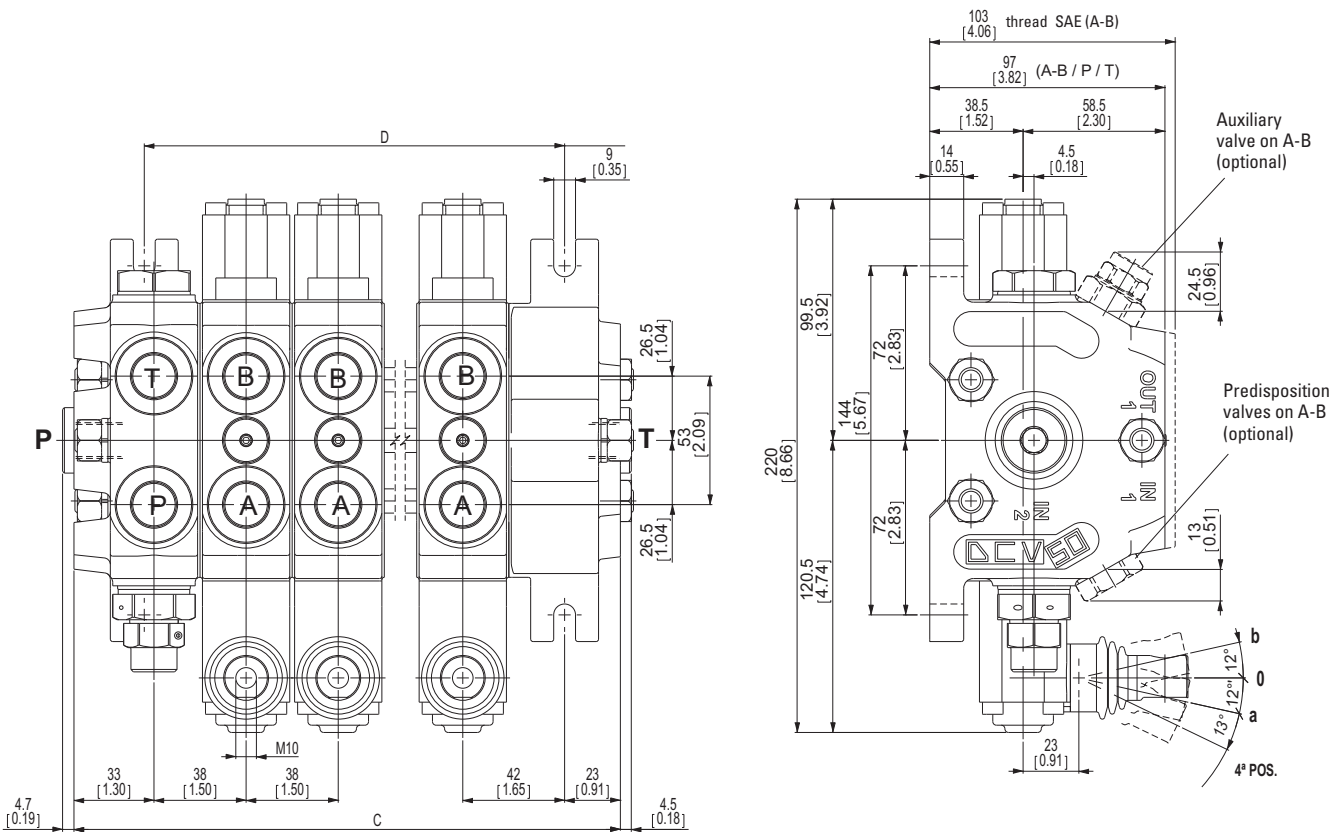


Metering curves are different for each type of spool. Therefore particular curves are supplied on request  
The curves are obtained using standard double acting spool (cod. ST1) with oil at 50°C and viscosity 36 mm<sup>2</sup> / s

**MODULAR**

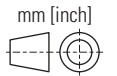
# Modular valve DCV50

## OVERALL DIMENSIONS



MODULAR

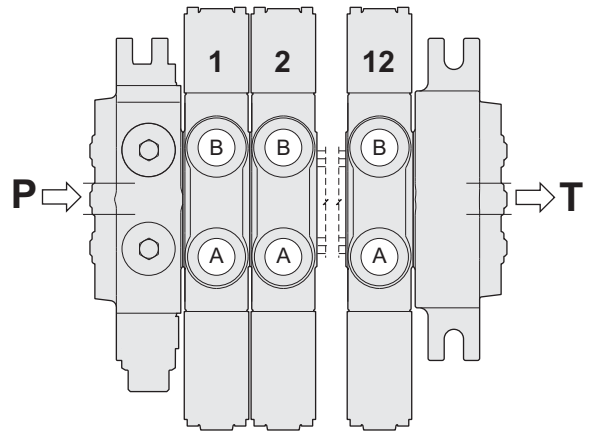
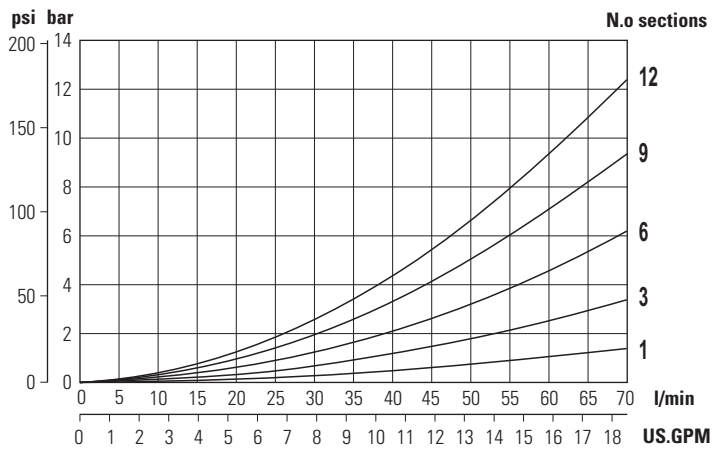
Tie-rod tightening torque: **55 Nm [40.6 lbf.ft]**



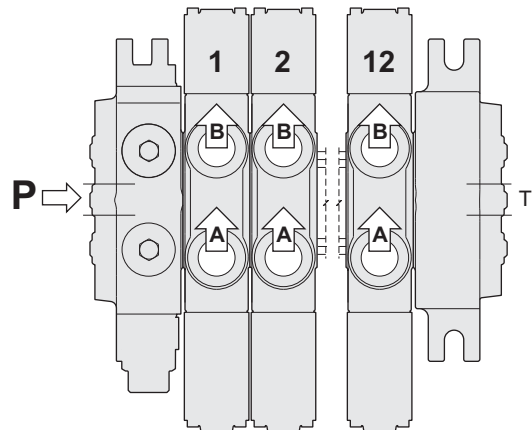
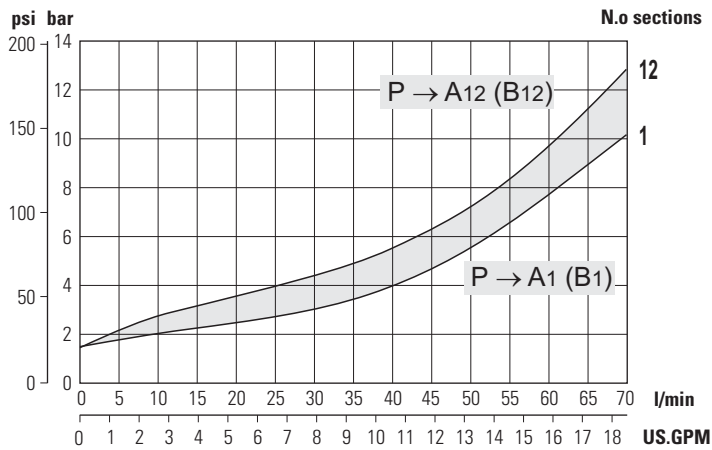
Type	C mm [inch]	D mm [inch]	Weight kg [lb]	Max flow l/min [GPM]	Max pressure BAR [psi]
DCV 50/1	130 [5.12]	84 [3.31]	7.00 [15.40]	70 [18.5]	350 [5075]
DCV 50/2	168 [6.61]	122 [4.80]	9.60 [21.12]		
DCV 50/3	206 [8.11]	160 [6.30]	12.20 [26.84]		
DCV 50/4	244 [9.61]	198 [7.80]	14.80 [32.56]		
DCV 50/5	282 [11.10]	236 [9.29]	17.40 [38.28]		
DCV 50/6	320 [12.60]	274 [10.79]	20.00 [44.00]		
DCV 50/7	358 [14.09]	312 [12.28]	22.60 [49.72]		
DCV 50/8	396 [15.59]	350 [13.78]	25.20 [55.44]		
DCV 50/9	434 [17.09]	388 [15.28]	27.80 [61.16]		
DCV 50/10	472 [18.58]	426 [16.77]	30.40 [67.88]		
DCV 50/11	510 [20.08]	464 [18.27]	33.00 [72.60]		
DCV 50/12	548 [21.57]	502 [19.76]	35.60 [78.32]		

## CHARACTERISTIC PRESSURE DROP FLOW CURVES

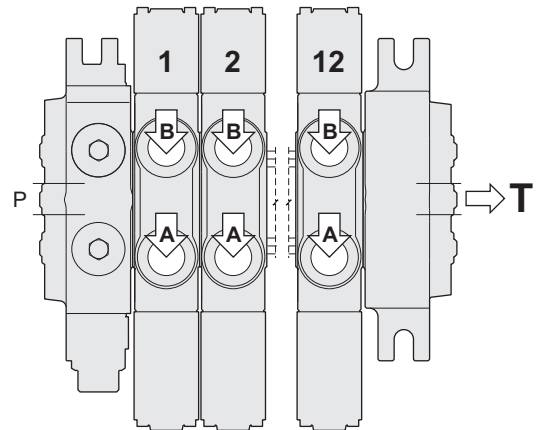
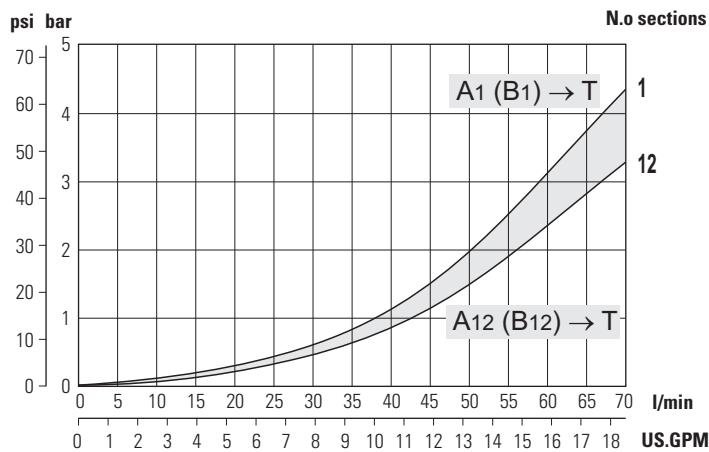
**Inlet pressure drop between P → T  
spool in central position**



**Inlet pressure drop between P → A (B)  
spool in working position**



**Inlet pressure drop between A (B) → T  
spool in working position**

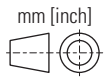
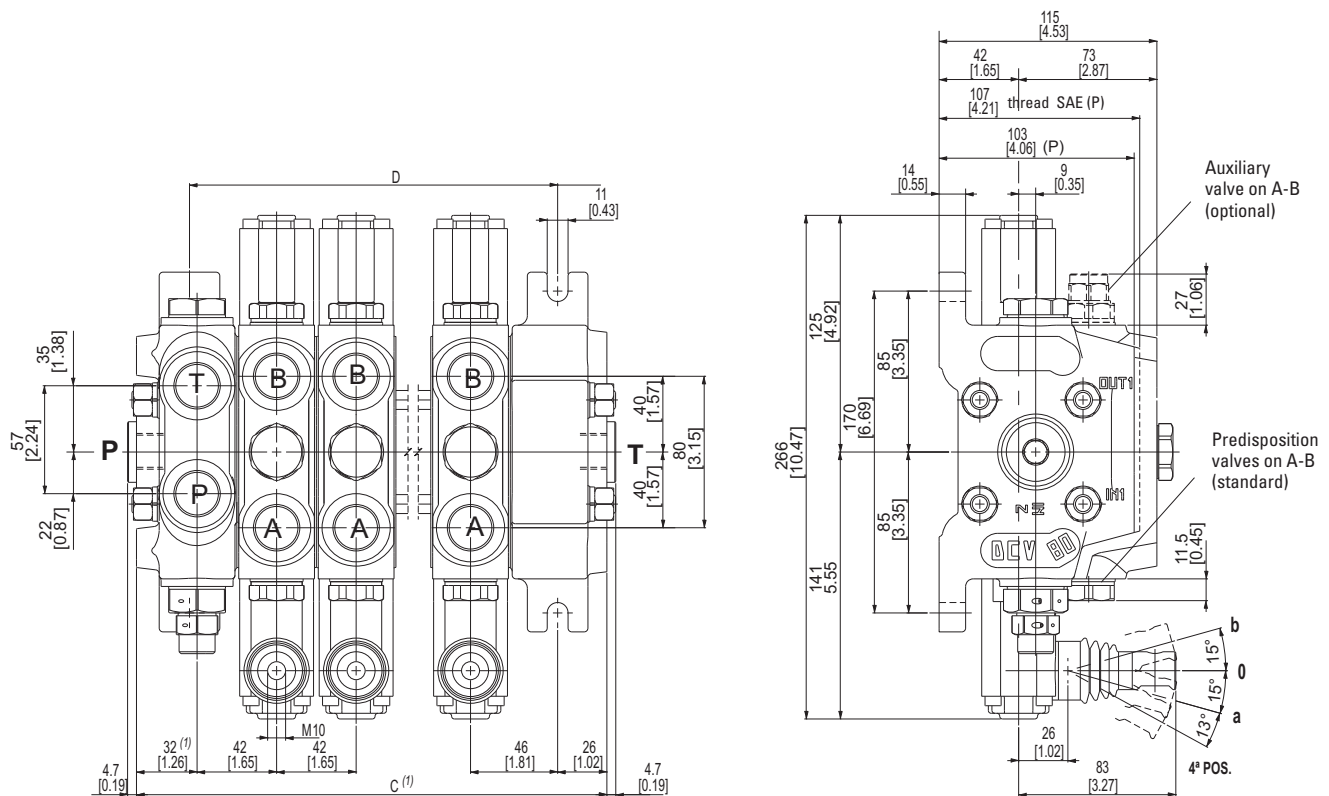


Metering curves are different for each type of spool. Therefore particular curves are supplied on request  
The curves are obtained using standard double acting spool (cod. ST1) with oil at 50°C and viscosity 36 mm<sup>2</sup> / s

**MODULAR**

# Modular valve DCV80

## OVERALL DIMENSIONS



mm [inch]

Tie-rod tightening torque: **55 Nm [40.6 lbf.ft]**

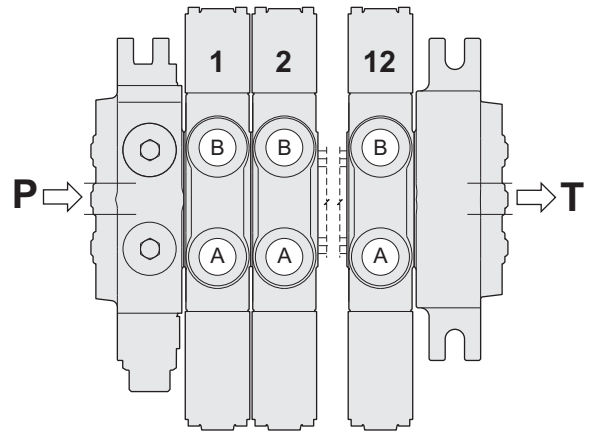
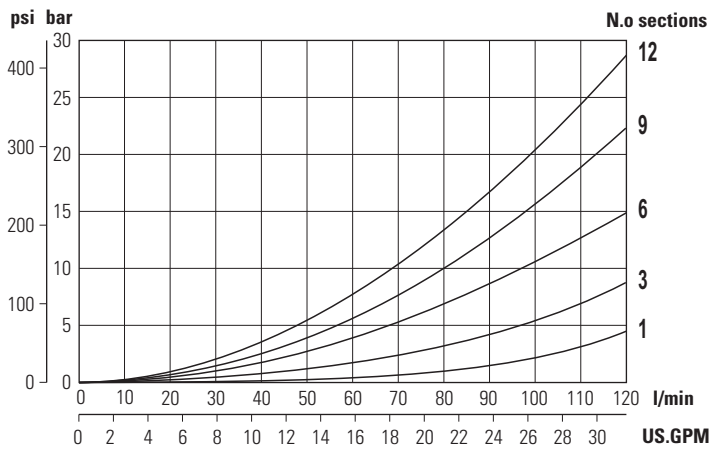
Type	C (1) mm [inch]	D mm [inch]	Weight kg [lb]	Max flow l/min [GPM]	Max pressure BAR [psi]
DCV 80/1	144 [5.67]	92 [3.62]	9.80 [21.56]	120 [31.7]	350 [5075]
DCV 80/2	186 [7.32]	134 [5.28]	13.70 [30.14]		
DCV 80/3	228 [8.98]	176 [6.93]	17.60 [38.72]		
DCV 80/4	270 [10.63]	218 [8.58]	21.50 [47.30]		
DCV 80/5	312 [12.28]	260 [10.24]	25.40 [55.88]		
DCV 80/6	354 [13.94]	302 [11.89]	29.30 [64.46]		
DCV 80/7	396 [15.59]	344 [13.54]	32.20 [70.84]		
DCV 80/8	438 [17.24]	386 [15.20]	37.10 [81.62]		
DCV 80/9	480 [18.90]	428 [16.85]	41.00 [90.20]		
DCV 80/10	522 [20.55]	470 [18.50]	44.90 [98.78]		
DCV 80/11	564 [22.20]	512 [20.16]	48.80 [107.36]		
DCV 80/12	606 [23.86]	554 [21.81]	52.70 [115.94]		

(1) Increase the dimensions of 7 mm [0.28 inch] for the body with SAE threads

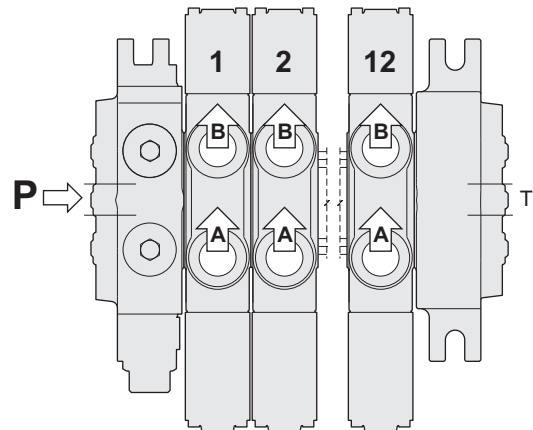
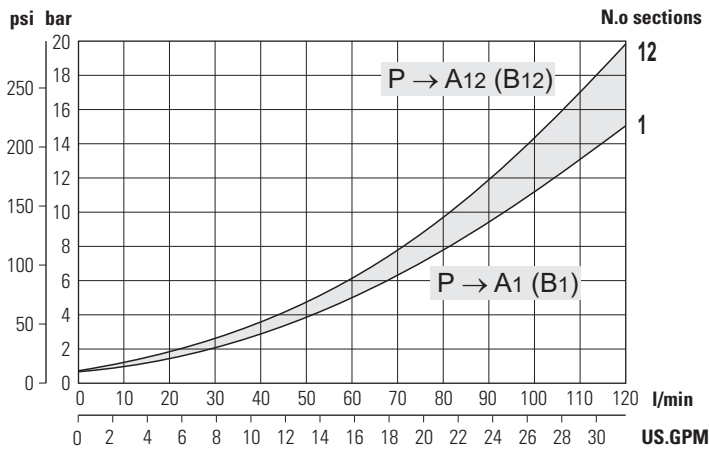


## CHARACTERISTIC PRESSURE DROP FLOW CURVES

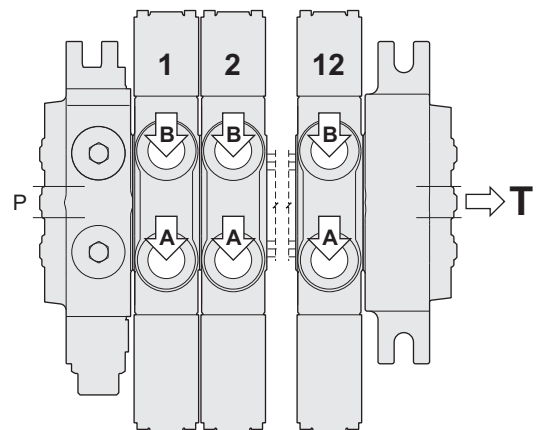
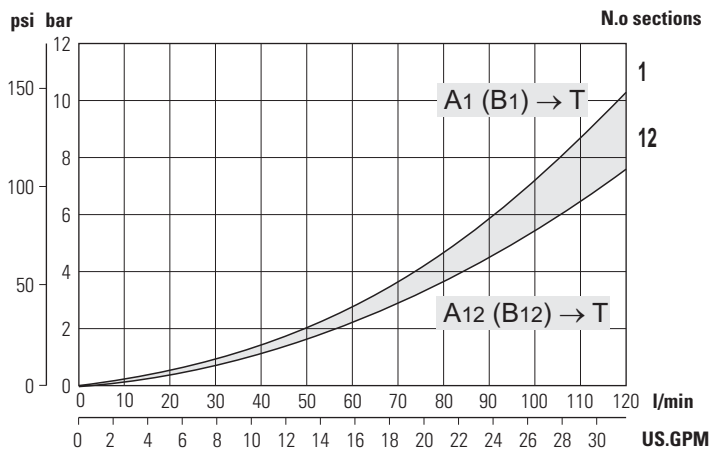
**Inlet pressure drop between P → T  
spool in central position**



**Inlet pressure drop between P → A (B)  
spool in working position**



**Inlet pressure drop between A (B) → T  
spool in working position**

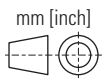
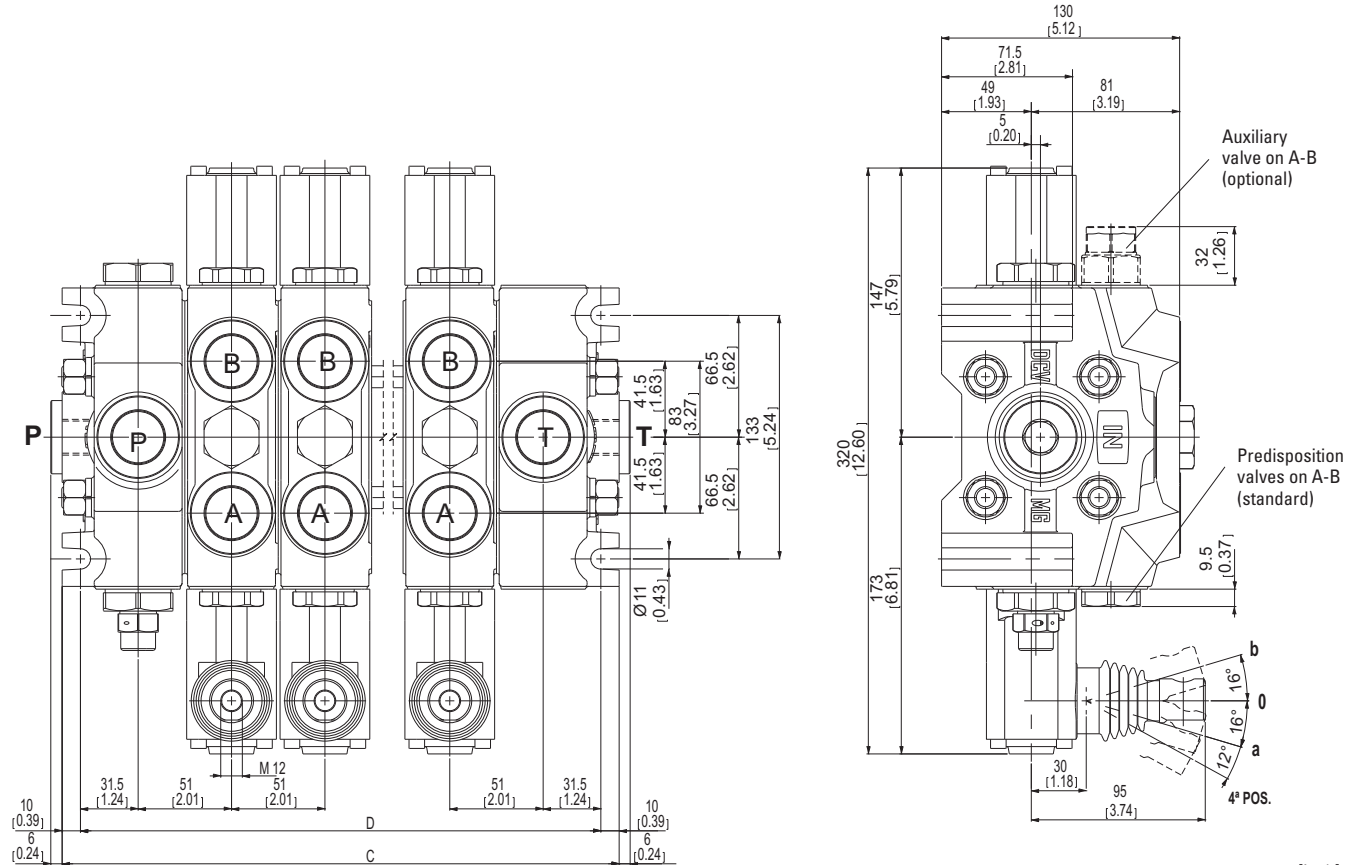


Metering curves are different for each type of spool. Therefore particular curves are supplied on request  
The curves are obtained using standard double acting spool (cod. ST1) with oil at 50°C and viscosity 36 mm<sup>2</sup> / s

**MODULAR**

# Modular valve DCV MG

## OVERALL DIMENSIONS



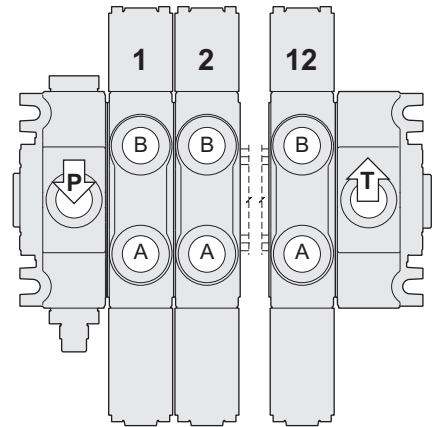
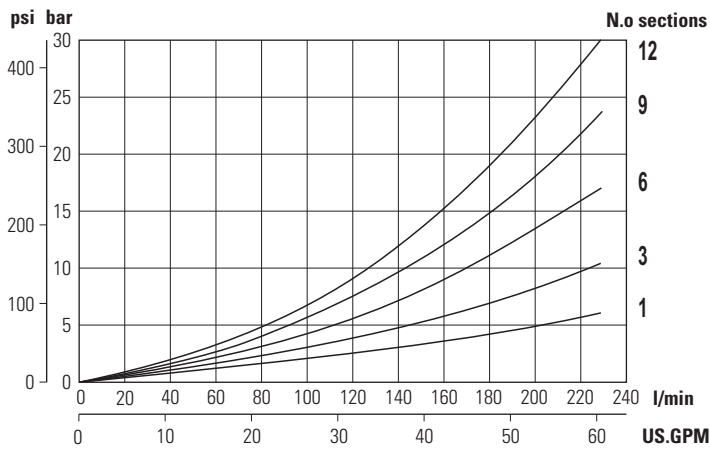
Tie-rod tightening torque: **75 Nm [55.3 lbf.ft]**

Type	C mm [inch]	D mm [inch]	Weight kg [lb]	Max flow l/min [GPM]	Max pressure BAR [psi]
DCV MG/1	185 [7.28]	165 [6.50]	16.00 [35.20]	230 [60.7]	350 [5075]
DCV MG/2	236 [9.29]	216 [8.50]	22.60 [49.72]		
DCV MG/3	287 [11.30]	267 [10.51]	29.20 [64.24]		
DCV MG/4	338 [13.31]	318 [12.52]	35.80 [78.76]		
DCV MG/5	389 [15.31]	368 [14.49]	42.40 [93.28]		
DCV MG/6	440 [17.32]	420 [16.54]	49.00 [107.80]		
DCV MG/7	491 [19.33]	461 [18.15]	55.60 [122.32]		
DCV MG/8	542 [21.34]	522 [20.55]	62.20 [136.84]		
DCV MG/9	593 [23.35]	573 [22.56]	68.80 [151.36]		
DCV MG/10	644 [25.35]	624 [24.57]	75.40 [165.88]		
DCV MG/11	695 [27.36]	675 [26.57]	82.00 [180.40]		
DCV MG/12	746 [29.37]	726 [28.58]	88.60 [194.92]		

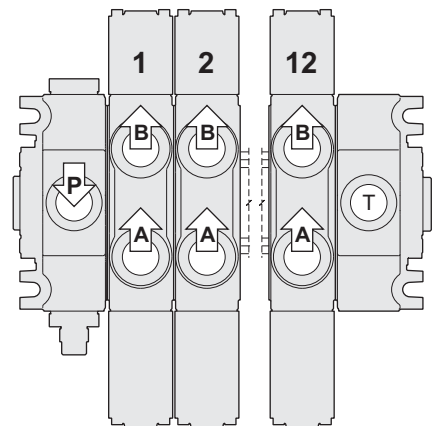
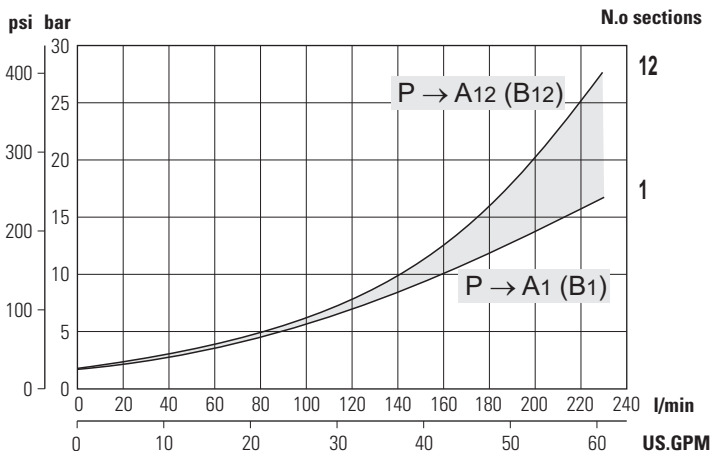
MODULAR

## CHARACTERISTIC PRESSURE DROP FLOW CURVES

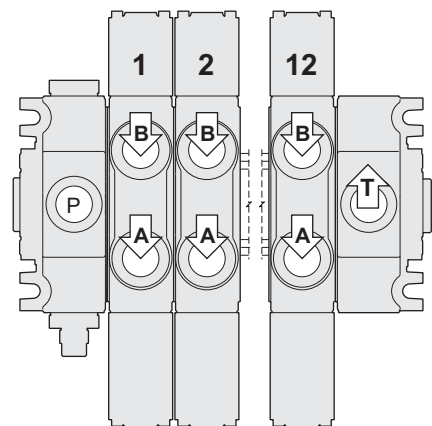
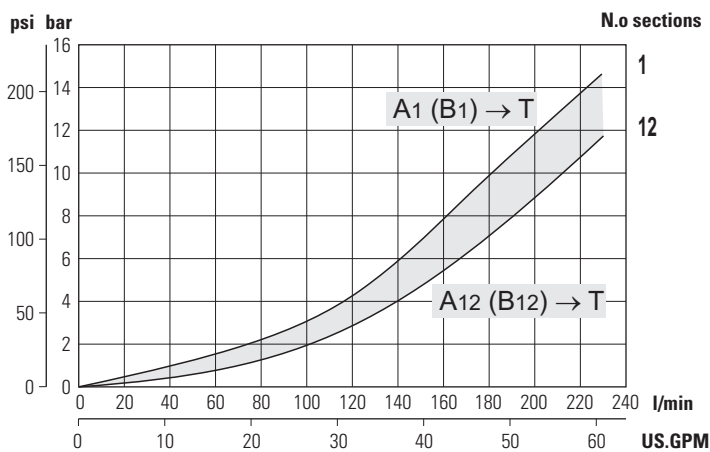
**Inlet pressure drop between P → T  
spool in central position**



**Inlet pressure drop between P → A (B)  
spool in working position**



**Inlet pressure drop between A (B) → T  
spool in working position**



Metering curves are different for each type of spool. Therefore particular curves are supplied on request  
The curves are obtained using standard double acting spool (cod. ST1) with oil at 50°C and viscosity 36 mm<sup>2</sup> / s

**MODULAR**

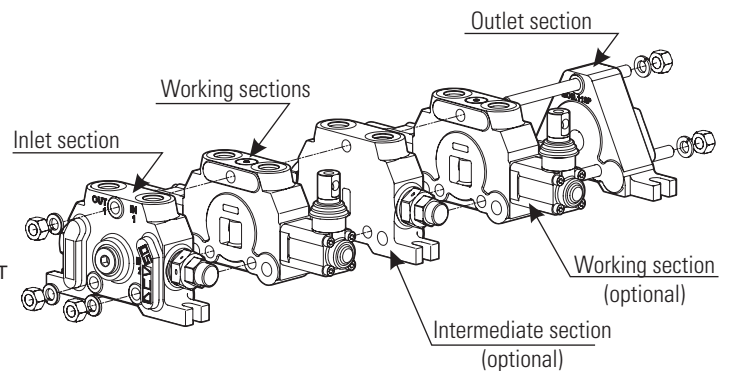
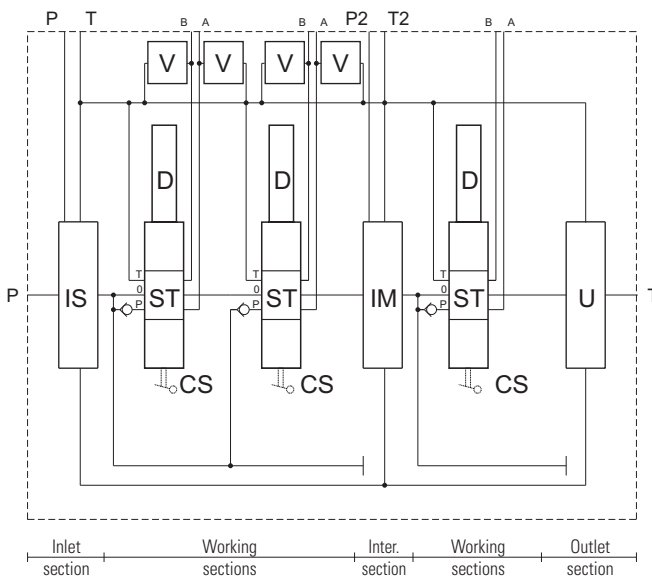
# Ordering code

MODULAR

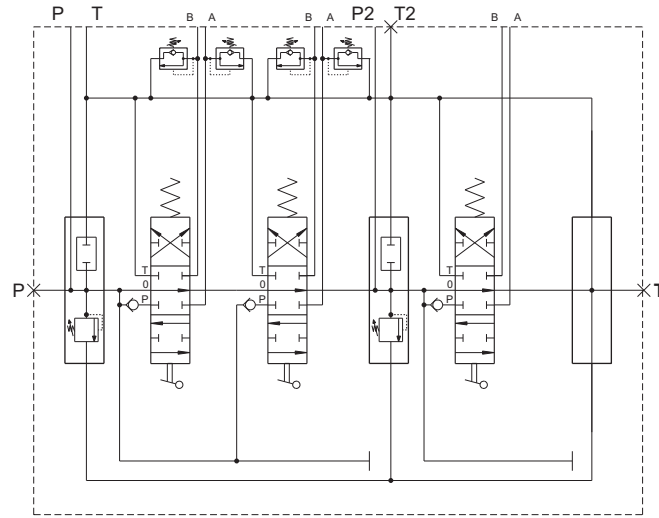
Model	Inlet section	Working sections (repeat for any section)														Intern. section	Outlet section					
DCV ** / *	I* *** (***) *	F*	ST**	CS**	D**	VA**(**) VB**(**) AP* F* W*	Xn.	IM*	F*	(1)	U*	F*										
<b>Description</b>	<b>Page</b>																					
Size (30 50 80 MG)	26-28																					
N.o working sections	30-32																					
Inlet type	36																					
Valves arrangement	37																					
Main relief valve setting (1)	37																					
Port location	38																					
Threads	38																					
Spool	39																					
Spool control side A	40																					
Positioning / Control side B	45																					
Auxiliary valve on port A (1)	50																					
Auxiliary valve on port B (1)	50																					
Circuit	51																					
Threads	53																					
Hand lever (1)	53																					
Working section repeated for n. times	53																					
Intermediate (1)	54																					
Threads	58																					
Others working section (1)	—																					
Outlet	59																					
Threads	62																					

(1) ----- Optional fields. Not specify if not required.

## HYDRAULIC SCHEME



## ORDERING CODE EXAMPLE



DCV30/3	IS	001	(200)	S	F3	ST1	CS1	D4	VA3(150)	VB3(150)	AP1	F3	X2	IME	001	(200)	F3	ST1	CS1	D1	AP1	F3	US	F3
---------	----	-----	-------	---	----	-----	-----	----	----------	----------	-----	----	----	-----	-----	-------	----	-----	-----	----	-----	----	----	----

- DCV 30/3** - Modular valve DCV30 3 sections
- IS** - Left hand inlet
- 001** - Valves arrangement : Pilot-operated main relief valve (side A) + Valve seat with plug (side B)
- (200)** - Valve setting 200 BAR
- S** - Top inlet
- F3** - Threads 3/8" BSP
- ST1** - Spool 3 positions, double acting
- CS1** - Spool control side A, standard
- D4** - Spool positioning side B, 3 positions, spring centred spool, detent in "b"
- VA3** - Service port valves - Combined valve in "A" port
- (150)** - Valve setting 150 BAR
- VB3** - Service port valves - Combined valve in "B" port
- (150)** - Valve setting 150 bar
- AP1** - Parallel circuit
- F3** - Threads 3/8" BSP
- X2** - Working section repeated for n. 2 times
- IME** - Intermediate section - parallel circuit
- 001** - Valves arrangement : Pilot-operated main relief valve (side A) + Valve seat with plug (side B)
- (200)** - Valve setting 200 BAR
- F3** - Threads 3/8" BSP
- ST1** - Spool 3 positions, double acting
- CS1** - Spool control side A with standard lever
- D1** - Spool positioning side B, 3 positions, spring centred spool
- AP1** - Parallel circuit
- F3** - Threads 3/8" BSP
- US** - Top outlet
- F3** - Threads 3/8" BSP

**MODULAR**

Inlet type

DCV \*\* / \* **I\*** \*\*\* (\*\*\*) \* F\* ST\*\* CS\*\* D\*\* VA\*\*(\*\*) VB\*\*(\*\*) AP\* F\* W\* Xn IM\* F\* .. U\* F\*

**I\*** Inlet type

*	Description	Drawing
IS	Left hand inlet	
ID	Right hand inlet	

MODULAR

Valves arrangement  
Main relief valve setting (bar)

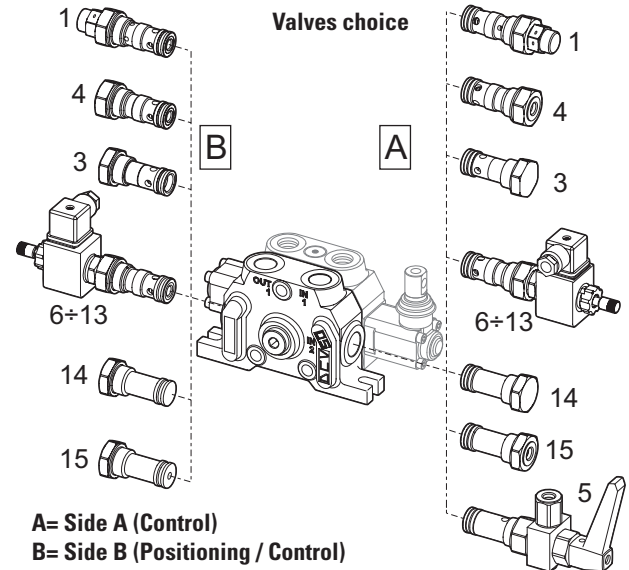
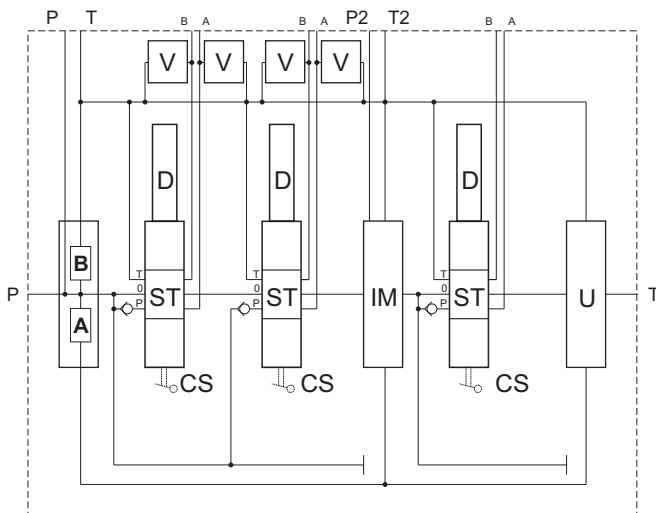
DCV \*\* / \* | \* | \*\*\* | (\*\*\*) | \* | F\* | ST\*\* | CS\*\* | D\*\* | VA\*\*(\*\*) | VB\*\*(\*\*) | AP\* | F\* | W\* | Xn | IM\* | F\* | .. | U\* | F\*

**\*\*\* (\*\*\*)** Valves arrangements and main relief valve setting

***	(***)	Arrangements		***	(***)	Arrangements	
		A*	B*			A*	B*
060	(1)	A1	B3	036	(1)	A10	B1
057	(1)	A1	B4	037	(1)	A11	B1
002	(1)	A1	B6 (2)	038	(1)	A12	B1
003	(1)	A1	B7 (2)	039	(1)	A13	B1
004	(1)	A1	B8 (2)	059	(1)	A14	B1
005	(1)	A1	B9 (2)	013	—	A14	B6 (2)
006	(1)	A1	B10 (2)	014	—	A14	B7 (2)
007	(1)	A1	B11 (2)	015	—	A14	B8 (2)
008	(1)	A1	B12 (2)	016	—	A14	B9 (2)
009	(1)	A1	B13 (2)	017	—	A14	B10 (2)
001	(1)	A1	B14	018	—	A14	B11 (2)
010	(1)	A1	B15	019	—	A14	B12 (2)
021	—	A4	B3	020	—	A14	B13 (2)
022	—	A4	B6 (2)	011	—	A14	B14
023	—	A4	B7 (2)	012	—	A14	B15
024	—	A4	B8 (2)	040	(1)	A15	B1
025	—	A4	B9 (2)	042	—	A15	B3
026	—	A4	B10 (2)	041	—	A15	B4
027	—	A4	B11 (2)	043	—	A15	B6 (2)
028	—	A4	B12 (2)	044	—	A15	B7 (2)
029	—	A4	B13 (2)	045	—	A15	B8 (2)
030	—	A4	B14	046	—	A15	B9 (2)
031	—	A4	B15	047	—	A15	B10 (2)
051	—	A5	B1	048	—	A15	B11 (2)
052	—	A5	B14	049	—	A15	B12 (2)
053	—	A5	B15	050	—	A15	B13 (2)
032	(1)	A6	B1	058	—	A15	B14
033	(1)	A7	B1				
034	(1)	A8	B1				
035	(1)	A9	B1				

(1) Specify pressure relief valve setting (from 20 to 400 bar). In the order it is suggested specify the flow rate.

(2) Can not be used with electro-hydraulic control D15 ÷ D18. Mount the electric valve on side A.



A= Side A (Control)  
B= Side B (Positioning / Control)

1 (3)	Pilot-operated main relief valve	
3	Anticavitation valve	
4	External pilot-operated valve	
5	Cross or hydraulic brakes lock valve	
6	Solenoid dump valve 12V work NORMALLY OPEN	
8	Solenoid dump valve 24V work NORMALLY OPEN	
10	Solenoid dump valve 26V work NORMALLY OPEN	
12	Solenoid dump valve 30V work NORMALLY OPEN	
7	Solenoid dump valve 12V work NORMALLY CLOSED	
9	Solenoid dump valve 24V work NORMALLY CLOSED	
11	Solenoid dump valve 26V work NORMALLY CLOSED	
13	Solenoid dump valve 30V work NORMALLY CLOSED	
14	Valve seat with plug	
15	Pressure gauge connection	

(3) Direct operated main valve only for DCV30

(4) Solenoid features	12 Vdc	24 Vdc	26 Vdc	30 Vdc
Nominal power	17 W	20 W	20 W	17 W
Connector	DIN 43650 ISO 4400			
Protection degree	IP65			
Ambient temperature	-30 +60 °C			

MODULAR

Port location

DCV \*\* / \* | \* : \*\*\* (\*\*\* ) \* F\* ST\*\* CS\*\* D\*\* VA\*\*(\*\*) VB\*\*(\*\*) AP\* F\* W\* Xn IM\* F\* .. U\* F\*

**\* Port type**

*	Description	Drawing
S	Top inlet	<p>Scheme with left hand inlet</p>
L	Side inlet	<p>Scheme with left hand inlet</p>

----- (1) Only DCV30 - DCV50 - DCV80      (2) Only DCVMG

Threads

DCV \*\* / \* | \* : \*\*\* (\*\*\* ) \* F\* ST\*\* CS\*\* D\*\* VA\*\*(\*\*) VB\*\*(\*\*) AP\* F\* W\* Xn IM\* F\* .. U\* F\*

**F\* Inlet section threads**

**	Description	DCV 30		DCV 50		DCV 80		DCV MG	
		P	T	P	T	P	T	P	T
F3	3/8" BSP	•	•						
F4	1/2" BSP			•	•	• <sup>(3)</sup>	• <sup>(3)</sup>		
F5	3/4" BSP					•	•		
F6	1" BSP							•	—
F31	9/16" - 18UNF (SAE6)	•	•						
F33	7/8" - 14UNF (SAE10)			•	•	• <sup>(3)</sup>	• <sup>(3)</sup>		
F34	1" 1/16 - 12UN (SAE12)					•	•		
F36	1" 5/16 - 12UN (SAE16)							•	—

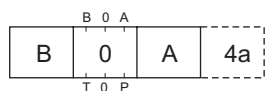
(3) Threads availables on request



Spool

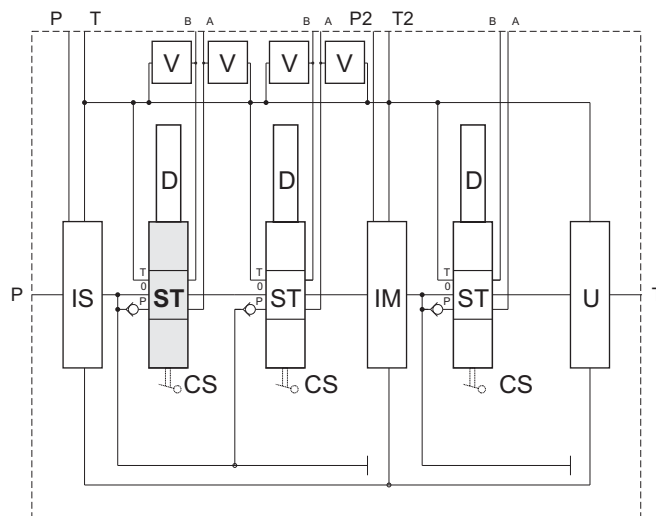
DCV \*\* / \* I\* \*\*\* (\*\*\*) \* F\* **ST\*\*** CS\*\* D\*\* VA\*\*(\*\*) VB\*\*(\*\*) AP\* F\* W\* Xn IM\* F\* .. U\* F\*

## ST\*\* Spool



**	Description	Symbol
<b>ST1</b> <b>ST1G</b> <small>(1)(2)</small>	3 positions, double acting	
<b>ST2</b>	3 positions, double acting, - no passage in 0 - A and B open	
<b>ST3</b>	3 positions, double acting, - no passage in 0 - A and B blocked	
<b>ST4</b> <b>ST4G</b> <small>(1)</small>	3 positions, double acting, - A and B open	
<b>ST5</b> <b>ST5G</b> <small>(1)</small>	3 positions, double acting, - A open - B blocked	
<b>ST6</b> <b>ST6G</b> <small>(1)</small>	3 positions, double acting, - A blocked - B open	
<b>ST7</b>	3 positions, single acting in A	
<b>ST8</b>	3 positions, single acting in B	
<b>ST9</b>	3 positions, single acting in A - A open	
<b>ST10</b>	3 positions, single acting in B - B open	
<b>ST11</b>	3 positions, double acting regenerative in A (not standard)	
<b>ST36</b>	3 positions, double acting regenerative in B (not standard)	

(1) **STG** = Extra metering

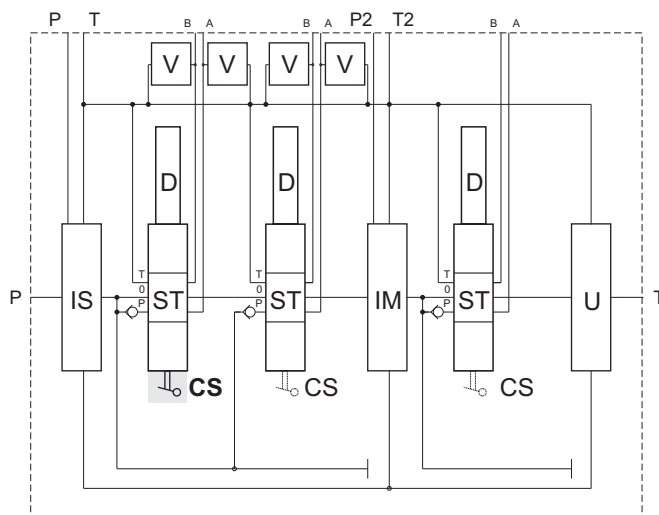


**	Description	Symbol
<b>ST12</b>	4 positions, double acting with 4th float position	
<b>ST23</b>	2 positions with function dead man (unactivated) in "a" position ; working position in "0"	
<b>ST24</b>	2 positions with function dead man (unactivated) in "b" position ; working position in "0"	
<b>ST27</b>	2 positions with function dead man (unactivated) in "0" position ; working position in "b"	
<b>ST28</b>	2 positions with function dead man (unactivated) in "0" position ; working position in "a"	
<b>ST13</b>	3 positions, series circuit double-acting	
<b>ST14</b>	3 positions, series circuit double-acting - A open - B blocked	
<b>ST15</b>	3 positions, series circuit double-acting - A and B open	
<b>ST16</b>	3 positions, series circuit double-acting - A blocked - B open	

**MODULAR**

Spool control side A

DCV \*\* / \* I\* \*\*\* (\*\*\*) \* F\* ST\*\* **CS\*\*** D\*\* VA\*\*(\*\*) VB\*\*(\*\*) AP\* F\* W\* Xn IM\* F\* .. U\* F\*



**CS\*\*** Spool control side A

**	Description	Drawing																																															
<b>CS1</b> <b>CSA1</b> <i>(1)</i>	Standard handle		<table border="1"> <thead> <tr> <th rowspan="2"></th> <th colspan="2">A</th> <th rowspan="2">B</th> <th colspan="2">CS1</th> <th colspan="2">CSA1</th> </tr> <tr> <th>mm</th> <th>inch</th> <th>mm</th> <th>inch</th> <th>mm</th> <th>inch</th> </tr> </thead> <tbody> <tr> <td><b>DCV 30</b></td> <td>64</td> <td>2.52</td> <td>M8</td> <td>55</td> <td>2.17</td> <td>—</td> <td>—</td> </tr> <tr> <td><b>DCV 50</b></td> <td>68</td> <td>2.68</td> <td>M10</td> <td>62.5</td> <td>2.46</td> <td>67.5</td> <td>2.66</td> </tr> <tr> <td><b>DCV 80</b></td> <td>83</td> <td>3.27</td> <td>M10</td> <td>74</td> <td>2.91</td> <td>79.5</td> <td>3.13</td> </tr> <tr> <td><b>DCV MG</b></td> <td>95</td> <td>3.74</td> <td>M12</td> <td>90</td> <td>3.54</td> <td>—</td> <td>—</td> </tr> </tbody> </table>		A		B	CS1		CSA1		mm	inch	mm	inch	mm	inch	<b>DCV 30</b>	64	2.52	M8	55	2.17	—	—	<b>DCV 50</b>	68	2.68	M10	62.5	2.46	67.5	2.66	<b>DCV 80</b>	83	3.27	M10	74	2.91	79.5	3.13	<b>DCV MG</b>	95	3.74	M12	90	3.54	—	—
		A			B	CS1		CSA1																																									
		mm	inch	mm		inch	mm	inch																																									
	<b>DCV 30</b>	64	2.52	M8	55	2.17	—	—																																									
<b>DCV 50</b>	68	2.68	M10	62.5	2.46	67.5	2.66																																										
<b>DCV 80</b>	83	3.27	M10	74	2.91	79.5	3.13																																										
<b>DCV MG</b>	95	3.74	M12	90	3.54	—	—																																										
<b>CS2</b> <b>CSA2</b> <i>(1)</i>	Handle at 180°		<table border="1"> <thead> <tr> <th rowspan="2"></th> <th colspan="2">A</th> <th rowspan="2">B</th> <th colspan="2">CS2</th> <th colspan="2">CSA2</th> </tr> <tr> <th>mm</th> <th>inch</th> <th>mm</th> <th>inch</th> <th>mm</th> <th>inch</th> </tr> </thead> <tbody> <tr> <td><b>DCV 30</b></td> <td>64</td> <td>2.52</td> <td>M8</td> <td>55</td> <td>2.17</td> <td>—</td> <td>—</td> </tr> <tr> <td><b>DCV 50</b></td> <td>68</td> <td>2.68</td> <td>M10</td> <td>62.5</td> <td>2.46</td> <td>67.5</td> <td>2.66</td> </tr> <tr> <td><b>DCV 80</b></td> <td>83</td> <td>3.27</td> <td>M10</td> <td>74</td> <td>2.91</td> <td>79.5</td> <td>3.13</td> </tr> <tr> <td><b>DCV MG</b></td> <td>95</td> <td>3.74</td> <td>M12</td> <td>90</td> <td>3.54</td> <td>—</td> <td>—</td> </tr> </tbody> </table>		A		B	CS2		CSA2		mm	inch	mm	inch	mm	inch	<b>DCV 30</b>	64	2.52	M8	55	2.17	—	—	<b>DCV 50</b>	68	2.68	M10	62.5	2.46	67.5	2.66	<b>DCV 80</b>	83	3.27	M10	74	2.91	79.5	3.13	<b>DCV MG</b>	95	3.74	M12	90	3.54	—	—
		A			B	CS2		CSA2																																									
		mm	inch	mm		inch	mm	inch																																									
	<b>DCV 30</b>	64	2.52	M8	55	2.17	—	—																																									
<b>DCV 50</b>	68	2.68	M10	62.5	2.46	67.5	2.66																																										
<b>DCV 80</b>	83	3.27	M10	74	2.91	79.5	3.13																																										
<b>DCV MG</b>	95	3.74	M12	90	3.54	—	—																																										
<b>CS3</b>	Without handle		<table border="1"> <thead> <tr> <th rowspan="2"></th> <th colspan="2">A</th> <th colspan="2">B</th> <th colspan="2">C</th> </tr> <tr> <th>mm</th> <th>inch</th> <th>mm</th> <th>inch</th> <th>mm</th> <th>inch</th> </tr> </thead> <tbody> <tr> <td><b>DCV 30</b></td> <td>41</td> <td>1.61</td> <td>11</td> <td>0.43</td> <td>6</td> <td>0.24</td> </tr> <tr> <td><b>DCV 50</b></td> <td>50</td> <td>1.97</td> <td>16</td> <td>0.63</td> <td>9</td> <td>0.35</td> </tr> <tr> <td><b>DCV 80</b></td> <td>59.5</td> <td>2.34</td> <td>17.5</td> <td>0.69</td> <td>9</td> <td>0.35</td> </tr> <tr> <td><b>DCV MG</b></td> <td>72</td> <td>2.83</td> <td>0.69</td> <td>0.75</td> <td>9</td> <td>0.35</td> </tr> </tbody> </table>		A		B		C		mm	inch	mm	inch	mm	inch	<b>DCV 30</b>	41	1.61	11	0.43	6	0.24	<b>DCV 50</b>	50	1.97	16	0.63	9	0.35	<b>DCV 80</b>	59.5	2.34	17.5	0.69	9	0.35	<b>DCV MG</b>	72	2.83	0.69	0.75	9	0.35					
		A			B		C																																										
		mm	inch	mm	inch	mm	inch																																										
	<b>DCV 30</b>	41	1.61	11	0.43	6	0.24																																										
<b>DCV 50</b>	50	1.97	16	0.63	9	0.35																																											
<b>DCV 80</b>	59.5	2.34	17.5	0.69	9	0.35																																											
<b>DCV MG</b>	72	2.83	0.69	0.75	9	0.35																																											
<b>CS4</b>	Hydraulic control - Max pilot pressure 35 bar 508 psi		<table border="1"> <thead> <tr> <th rowspan="2"></th> <th colspan="2">A</th> <th rowspan="2">B</th> </tr> <tr> <th>mm</th> <th>inch</th> <th>mm</th> </tr> </thead> <tbody> <tr> <td><b>DCV 30</b></td> <td>59</td> <td>2.32</td> <td>1/4" BSP</td> </tr> <tr> <td><b>DCV 50</b></td> <td>68</td> <td>2.68</td> <td>1/4" BSP</td> </tr> <tr> <td><b>DCV 80</b></td> <td>87</td> <td>3.43</td> <td>1/4" BSP</td> </tr> <tr> <td><b>DCV MG</b></td> <td>80</td> <td>3.15</td> <td>1/4" BSP</td> </tr> </tbody> </table>		A		B	mm	inch	mm	<b>DCV 30</b>	59	2.32	1/4" BSP	<b>DCV 50</b>	68	2.68	1/4" BSP	<b>DCV 80</b>	87	3.43	1/4" BSP	<b>DCV MG</b>	80	3.15	1/4" BSP																							
		A			B																																												
		mm	inch	mm																																													
	<b>DCV 30</b>	59	2.32	1/4" BSP																																													
<b>DCV 50</b>	68	2.68	1/4" BSP																																														
<b>DCV 80</b>	87	3.43	1/4" BSP																																														
<b>DCV MG</b>	80	3.15	1/4" BSP																																														
<b>CS53</b>	Hydraulic lever control		<table border="1"> <thead> <tr> <th rowspan="2"></th> <th colspan="2">A</th> <th colspan="2">B</th> <th rowspan="2">C</th> <th rowspan="2">D</th> </tr> <tr> <th>mm</th> <th>inch</th> <th>mm</th> <th>inch</th> </tr> </thead> <tbody> <tr> <td><b>DCV 30</b></td> <td>59</td> <td>2.32</td> <td>109</td> <td>4.29</td> <td>1/4" BSP</td> <td>64</td> <td>2.52</td> </tr> <tr> <td><b>DCV 80</b></td> <td>101</td> <td>3.98</td> <td>119</td> <td>4.69</td> <td>1/4" BSP</td> <td>83</td> <td>3.27</td> </tr> </tbody> </table>		A		B		C	D	mm	inch	mm	inch	<b>DCV 30</b>	59	2.32	109	4.29	1/4" BSP	64	2.52	<b>DCV 80</b>	101	3.98	119	4.69	1/4" BSP	83	3.27																			
		A			B		C	D																																									
mm		inch	mm	inch																																													
<b>DCV 30</b>	59	2.32	109	4.29	1/4" BSP	64	2.52																																										
<b>DCV 80</b>	101	3.98	119	4.69	1/4" BSP	83	3.27																																										

(1) **CSA** = Aluminium version (only DCV50 - DCV80)

## CS\*\* Spool control side A

**	Description	Drawing																														
<b>CS5</b> <b>CSA5</b> <i>(1)</i>	Safety handle locked in neutral position  	  <table border="1"> <thead> <tr> <th></th> <th colspan="2">A</th> <th colspan="2">B</th> </tr> <tr> <th></th> <th>mm</th> <th>inch</th> <th>mm</th> <th>inch</th> </tr> </thead> <tbody> <tr> <td><b>DCV 30</b></td> <td>200</td> <td>7.87</td> <td>73</td> <td>2.87</td> </tr> <tr> <td><b>DCV 50</b></td> <td>220</td> <td>8.66</td> <td>81</td> <td>3.19</td> </tr> <tr> <td><b>DCV 80</b></td> <td>245</td> <td>9.65</td> <td>102</td> <td>4.02</td> </tr> <tr> <td><b>DCV MG</b></td> <td>260</td> <td>10.24</td> <td>119.5</td> <td>4.70</td> </tr> </tbody> </table>		A		B			mm	inch	mm	inch	<b>DCV 30</b>	200	7.87	73	2.87	<b>DCV 50</b>	220	8.66	81	3.19	<b>DCV 80</b>	245	9.65	102	4.02	<b>DCV MG</b>	260	10.24	119.5	4.70
	A		B																													
	mm	inch	mm	inch																												
<b>DCV 30</b>	200	7.87	73	2.87																												
<b>DCV 50</b>	220	8.66	81	3.19																												
<b>DCV 80</b>	245	9.65	102	4.02																												
<b>DCV MG</b>	260	10.24	119.5	4.70																												
<b>CS6</b> <b>CSA6</b> <i>(1)</i>	Safety handle locked in position "a"  	  <table border="1"> <thead> <tr> <th></th> <th colspan="2">A</th> <th colspan="2">B</th> </tr> <tr> <th></th> <th>mm</th> <th>inch</th> <th>mm</th> <th>inch</th> </tr> </thead> <tbody> <tr> <td><b>DCV 30</b></td> <td>200</td> <td>7.87</td> <td>73</td> <td>2.87</td> </tr> <tr> <td><b>DCV 50</b></td> <td>220</td> <td>8.66</td> <td>81</td> <td>3.19</td> </tr> <tr> <td><b>DCV 80</b></td> <td>245</td> <td>9.65</td> <td>102</td> <td>4.02</td> </tr> <tr> <td><b>DCV MG</b></td> <td>260</td> <td>10.24</td> <td>119.5</td> <td>4.70</td> </tr> </tbody> </table>		A		B			mm	inch	mm	inch	<b>DCV 30</b>	200	7.87	73	2.87	<b>DCV 50</b>	220	8.66	81	3.19	<b>DCV 80</b>	245	9.65	102	4.02	<b>DCV MG</b>	260	10.24	119.5	4.70
	A		B																													
	mm	inch	mm	inch																												
<b>DCV 30</b>	200	7.87	73	2.87																												
<b>DCV 50</b>	220	8.66	81	3.19																												
<b>DCV 80</b>	245	9.65	102	4.02																												
<b>DCV MG</b>	260	10.24	119.5	4.70																												
<b>CS7</b> <b>CSA7</b> <i>(1)</i>	Security handle locked in position "b"  	  <table border="1"> <thead> <tr> <th></th> <th colspan="2">A</th> <th colspan="2">B</th> </tr> <tr> <th></th> <th>mm</th> <th>inch</th> <th>mm</th> <th>inch</th> </tr> </thead> <tbody> <tr> <td><b>DCV 30</b></td> <td>200</td> <td>7.87</td> <td>73</td> <td>2.87</td> </tr> <tr> <td><b>DCV 50</b></td> <td>220</td> <td>8.66</td> <td>81</td> <td>3.19</td> </tr> <tr> <td><b>DCV 80</b></td> <td>245</td> <td>9.65</td> <td>102</td> <td>4.02</td> </tr> <tr> <td><b>DCV MG</b></td> <td>260</td> <td>10.24</td> <td>119.5</td> <td>4.70</td> </tr> </tbody> </table>		A		B			mm	inch	mm	inch	<b>DCV 30</b>	200	7.87	73	2.87	<b>DCV 50</b>	220	8.66	81	3.19	<b>DCV 80</b>	245	9.65	102	4.02	<b>DCV MG</b>	260	10.24	119.5	4.70
	A		B																													
	mm	inch	mm	inch																												
<b>DCV 30</b>	200	7.87	73	2.87																												
<b>DCV 50</b>	220	8.66	81	3.19																												
<b>DCV 80</b>	245	9.65	102	4.02																												
<b>DCV MG</b>	260	10.24	119.5	4.70																												
<b>CS8</b> <b>CSA8</b> <i>(1)</i>	Security handle locked in position "a" and "b"  	  <table border="1"> <thead> <tr> <th></th> <th colspan="2">A</th> <th colspan="2">B</th> </tr> <tr> <th></th> <th>mm</th> <th>inch</th> <th>mm</th> <th>inch</th> </tr> </thead> <tbody> <tr> <td><b>DCV 30</b></td> <td>200</td> <td>7.87</td> <td>73</td> <td>2.87</td> </tr> <tr> <td><b>DCV 50</b></td> <td>220</td> <td>8.66</td> <td>81</td> <td>3.19</td> </tr> <tr> <td><b>DCV 80</b></td> <td>245</td> <td>9.65</td> <td>102</td> <td>4.02</td> </tr> <tr> <td><b>DCV MG</b></td> <td>260</td> <td>10.24</td> <td>119.5</td> <td>4.70</td> </tr> </tbody> </table>		A		B			mm	inch	mm	inch	<b>DCV 30</b>	200	7.87	73	2.87	<b>DCV 50</b>	220	8.66	81	3.19	<b>DCV 80</b>	245	9.65	102	4.02	<b>DCV MG</b>	260	10.24	119.5	4.70
	A		B																													
	mm	inch	mm	inch																												
<b>DCV 30</b>	200	7.87	73	2.87																												
<b>DCV 50</b>	220	8.66	81	3.19																												
<b>DCV 80</b>	245	9.65	102	4.02																												
<b>DCV MG</b>	260	10.24	119.5	4.70																												
<b>CS9</b> <b>CSA9</b> <i>(1)</i>	Security handle locked in 4th position  	  <table border="1"> <thead> <tr> <th></th> <th colspan="2">A</th> <th colspan="2">B</th> </tr> <tr> <th></th> <th>mm</th> <th>inch</th> <th>mm</th> <th>inch</th> </tr> </thead> <tbody> <tr> <td><b>DCV 30</b></td> <td>200</td> <td>7.87</td> <td>73</td> <td>2.87</td> </tr> <tr> <td><b>DCV 50</b></td> <td>220</td> <td>8.66</td> <td>81</td> <td>3.19</td> </tr> <tr> <td><b>DCV 80</b></td> <td>245</td> <td>9.65</td> <td>102</td> <td>4.02</td> </tr> <tr> <td><b>DCV MG</b></td> <td>260</td> <td>10.24</td> <td>119.5</td> <td>4.70</td> </tr> </tbody> </table>		A		B			mm	inch	mm	inch	<b>DCV 30</b>	200	7.87	73	2.87	<b>DCV 50</b>	220	8.66	81	3.19	<b>DCV 80</b>	245	9.65	102	4.02	<b>DCV MG</b>	260	10.24	119.5	4.70
	A		B																													
	mm	inch	mm	inch																												
<b>DCV 30</b>	200	7.87	73	2.87																												
<b>DCV 50</b>	220	8.66	81	3.19																												
<b>DCV 80</b>	245	9.65	102	4.02																												
<b>DCV MG</b>	260	10.24	119.5	4.70																												
<b>CS40</b> <b>CSA40</b> <i>(1)</i>	Lever with clutch  	  <table border="1"> <thead> <tr> <th></th> <th colspan="2">A</th> <th colspan="2">B</th> </tr> <tr> <th></th> <th>mm</th> <th>inch</th> <th>mm</th> <th>inch</th> </tr> </thead> <tbody> <tr> <td><b>DCV 50</b></td> <td>269</td> <td>10.59</td> <td>77</td> <td>3.03</td> </tr> <tr> <td><b>DCV 80</b></td> <td>284</td> <td>11.18</td> <td>102</td> <td>4.01</td> </tr> <tr> <td><b>DCV MG</b></td> <td>299</td> <td>11.77</td> <td>119.5</td> <td>4.70</td> </tr> </tbody> </table>		A		B			mm	inch	mm	inch	<b>DCV 50</b>	269	10.59	77	3.03	<b>DCV 80</b>	284	11.18	102	4.01	<b>DCV MG</b>	299	11.77	119.5	4.70					
	A		B																													
	mm	inch	mm	inch																												
<b>DCV 50</b>	269	10.59	77	3.03																												
<b>DCV 80</b>	284	11.18	102	4.01																												
<b>DCV MG</b>	299	11.77	119.5	4.70																												

(1) **CSA** = Aluminium version (only DCV50 - DCV80)

**MODULAR**

## CS\*\* Spool control side A

**	Description	Drawing																													
<b>CS12 (CX)</b> <i>(1)</i>	Cloche control at 90° with fulcrum on the downstream for left inlet section and upstream for right inlet section (not available on DCV MG)	<table border="1"> <thead> <tr> <th rowspan="2"></th> <th colspan="2">L</th> <th colspan="2">D</th> </tr> <tr> <th>mm</th> <th>inch</th> <th>mm</th> <th>inch</th> </tr> </thead> <tbody> <tr> <td><b>DCV 30</b></td> <td>285</td> <td>11.22</td> <td>3.5</td> <td>0.13</td> </tr> <tr> <td><b>DCV 50</b></td> <td>290</td> <td>11.42</td> <td>3</td> <td>0.11</td> </tr> <tr> <td><b>DCV 80</b></td> <td>308.5</td> <td>12.15</td> <td>4</td> <td>0.15</td> </tr> <tr> <td><b>DCV MG</b></td> <td>324</td> <td>12.76</td> <td>0</td> <td>0</td> </tr> </tbody> </table>		L		D		mm	inch	mm	inch	<b>DCV 30</b>	285	11.22	3.5	0.13	<b>DCV 50</b>	290	11.42	3	0.11	<b>DCV 80</b>	308.5	12.15	4	0.15	<b>DCV MG</b>	324	12.76	0	0
	L			D																											
	mm	inch	mm	inch																											
<b>DCV 30</b>	285	11.22	3.5	0.13																											
<b>DCV 50</b>	290	11.42	3	0.11																											
<b>DCV 80</b>	308.5	12.15	4	0.15																											
<b>DCV MG</b>	324	12.76	0	0																											
<b>CS13 (CX)</b> <i>(1)</i>	Cloche control at 90° with fulcrum on the upstream for left inlet section and downstream for right inlet section (not available on DCV MG)	<table border="1"> <thead> <tr> <th rowspan="2"></th> <th colspan="2">L</th> <th colspan="2">D</th> </tr> <tr> <th>mm</th> <th>inch</th> <th>mm</th> <th>inch</th> </tr> </thead> <tbody> <tr> <td><b>DCV 30</b></td> <td>285</td> <td>11.22</td> <td>3.5</td> <td>0.13</td> </tr> <tr> <td><b>DCV 50</b></td> <td>290</td> <td>11.42</td> <td>3</td> <td>0.11</td> </tr> <tr> <td><b>DCV 80</b></td> <td>308.5</td> <td>12.15</td> <td>4</td> <td>0.15</td> </tr> <tr> <td><b>DCV MG</b></td> <td>324</td> <td>12.76</td> <td>0</td> <td>0</td> </tr> </tbody> </table>		L		D		mm	inch	mm	inch	<b>DCV 30</b>	285	11.22	3.5	0.13	<b>DCV 50</b>	290	11.42	3	0.11	<b>DCV 80</b>	308.5	12.15	4	0.15	<b>DCV MG</b>	324	12.76	0	0
	L			D																											
	mm	inch	mm	inch																											
<b>DCV 30</b>	285	11.22	3.5	0.13																											
<b>DCV 50</b>	290	11.42	3	0.11																											
<b>DCV 80</b>	308.5	12.15	4	0.15																											
<b>DCV MG</b>	324	12.76	0	0																											
<b>CS14</b> <i>(2)</i>	Flexible cable control <i>(2)</i>	<table border="1"> <thead> <tr> <th rowspan="2"></th> <th colspan="2">A</th> <th colspan="2">B</th> </tr> <tr> <th>mm</th> <th>inch</th> <th>mm</th> <th>inch</th> </tr> </thead> <tbody> <tr> <td><b>DCV 30</b></td> <td>285</td> <td>11.22</td> <td><i>(2)</i></td> <td><i>(2)</i></td> </tr> <tr> <td><b>DCV 50</b></td> <td>290</td> <td>11.42</td> <td><i>(2)</i></td> <td><i>(2)</i></td> </tr> <tr> <td><b>DCV 80</b></td> <td>308.5</td> <td>12.15</td> <td><i>(2)</i></td> <td><i>(2)</i></td> </tr> <tr> <td><b>DCV MG</b></td> <td>324</td> <td>12.76</td> <td><i>(2)</i></td> <td><i>(2)</i></td> </tr> </tbody> </table>		A		B		mm	inch	mm	inch	<b>DCV 30</b>	285	11.22	<i>(2)</i>	<i>(2)</i>	<b>DCV 50</b>	290	11.42	<i>(2)</i>	<i>(2)</i>	<b>DCV 80</b>	308.5	12.15	<i>(2)</i>	<i>(2)</i>	<b>DCV MG</b>	324	12.76	<i>(2)</i>	<i>(2)</i>
	A			B																											
	mm	inch	mm	inch																											
<b>DCV 30</b>	285	11.22	<i>(2)</i>	<i>(2)</i>																											
<b>DCV 50</b>	290	11.42	<i>(2)</i>	<i>(2)</i>																											
<b>DCV 80</b>	308.5	12.15	<i>(2)</i>	<i>(2)</i>																											
<b>DCV MG</b>	324	12.76	<i>(2)</i>	<i>(2)</i>																											
<b>CS15 CSA15</b> <i>(3)</i>	Spool stroke adjustment in "b"	<table border="1"> <thead> <tr> <th rowspan="2"></th> <th colspan="2">A</th> </tr> <tr> <th>mm</th> <th>inch</th> </tr> </thead> <tbody> <tr> <td><b>DCV 30</b></td> <td>78</td> <td>3.07</td> </tr> <tr> <td><b>DCV 50</b></td> <td>82</td> <td>3.23</td> </tr> <tr> <td><b>DCV 80</b></td> <td>99.5</td> <td>3.92</td> </tr> <tr> <td><b>DCV MG</b></td> <td>112</td> <td>4.41</td> </tr> </tbody> </table>		A		mm	inch	<b>DCV 30</b>	78	3.07	<b>DCV 50</b>	82	3.23	<b>DCV 80</b>	99.5	3.92	<b>DCV MG</b>	112	4.41												
	A																														
	mm	inch																													
<b>DCV 30</b>	78	3.07																													
<b>DCV 50</b>	82	3.23																													
<b>DCV 80</b>	99.5	3.92																													
<b>DCV MG</b>	112	4.41																													
<b>CS16 CSA16</b> <i>(3)</i>	Spool stroke adjustment, handle at 180° in "b"	<table border="1"> <thead> <tr> <th rowspan="2"></th> <th colspan="2">A</th> </tr> <tr> <th>mm</th> <th>inch</th> </tr> </thead> <tbody> <tr> <td><b>DCV 30</b></td> <td>78</td> <td>3.07</td> </tr> <tr> <td><b>DCV 50</b></td> <td>82</td> <td>3.23</td> </tr> <tr> <td><b>DCV 80</b></td> <td>99.5</td> <td>99.5</td> </tr> <tr> <td><b>DCV MG</b></td> <td>112</td> <td>4.41</td> </tr> </tbody> </table>		A		mm	inch	<b>DCV 30</b>	78	3.07	<b>DCV 50</b>	82	3.23	<b>DCV 80</b>	99.5	99.5	<b>DCV MG</b>	112	4.41												
	A																														
	mm	inch																													
<b>DCV 30</b>	78	3.07																													
<b>DCV 50</b>	82	3.23																													
<b>DCV 80</b>	99.5	99.5																													
<b>DCV MG</b>	112	4.41																													

(1) **(CX)** code required to use on 2th section

(2) Cable supplied on request. Length cable and control, contact our commercial dept

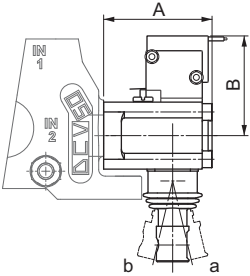
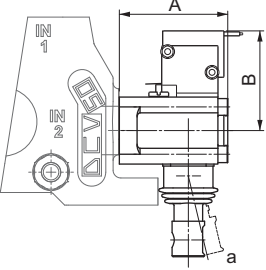
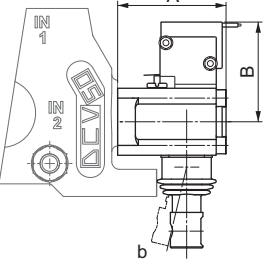
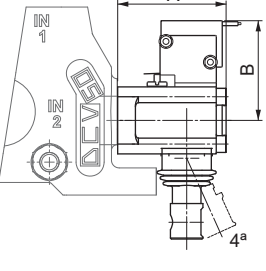
(3) **CSA** = Aluminium version (only DCV50 - DCV80)

## CS\*\* Spool control side A

**	Description	Drawing																																									
<b>CS17</b> <b>CSA17</b> (1)	Standard handle with microswitch in "a" and "b" Protection degree: IP67 Nominal rating: 0.1 ÷ 10 A / 250VAC Minimum rating: 1 mA / 4 VDC Operating temperature: -20 ÷ +85°C	<table border="1"> <thead> <tr> <th rowspan="2"></th> <th colspan="2">CS17</th> <th colspan="2">CSA17</th> <th colspan="2">B</th> </tr> <tr> <th>mm</th> <th>inch</th> <th>mm</th> <th>inch</th> <th>mm</th> <th>inch</th> </tr> </thead> <tbody> <tr> <td><b>DCV 30</b></td> <td>55</td> <td>2.17</td> <td>—</td> <td>—</td> <td>50.5</td> <td>1.99</td> </tr> <tr> <td><b>DCV 50</b></td> <td>62.5</td> <td>2.46</td> <td>67.5</td> <td>2.66</td> <td>51.5</td> <td>2.03</td> </tr> <tr> <td><b>DCV 80</b></td> <td>74</td> <td>2.91</td> <td>79.5</td> <td>3.13</td> <td>53</td> <td>2.09</td> </tr> <tr> <td><b>DCV MG</b></td> <td>90</td> <td>3.54</td> <td>—</td> <td>—</td> <td>58</td> <td>2.28</td> </tr> </tbody> </table> <p>Cable length: 50 cm [19.69 inch]</p>		CS17		CSA17		B		mm	inch	mm	inch	mm	inch	<b>DCV 30</b>	55	2.17	—	—	50.5	1.99	<b>DCV 50</b>	62.5	2.46	67.5	2.66	51.5	2.03	<b>DCV 80</b>	74	2.91	79.5	3.13	53	2.09	<b>DCV MG</b>	90	3.54	—	—	58	2.28
	CS17			CSA17		B																																					
	mm	inch	mm	inch	mm	inch																																					
<b>DCV 30</b>	55	2.17	—	—	50.5	1.99																																					
<b>DCV 50</b>	62.5	2.46	67.5	2.66	51.5	2.03																																					
<b>DCV 80</b>	74	2.91	79.5	3.13	53	2.09																																					
<b>DCV MG</b>	90	3.54	—	—	58	2.28																																					
<b>CS18</b> <b>CSA18</b> (1)	Standard handle with microswitch in "a" Protection degree: IP67 Nominal rating: 0.1 ÷ 10 A / 250VAC Minimum rating: 1 mA / 4 VDC Operating temperature: -20 ÷ +85°C	<table border="1"> <thead> <tr> <th rowspan="2"></th> <th colspan="2">CS18</th> <th colspan="2">CSA18</th> <th colspan="2">B</th> </tr> <tr> <th>mm</th> <th>inch</th> <th>mm</th> <th>inch</th> <th>mm</th> <th>inch</th> </tr> </thead> <tbody> <tr> <td><b>DCV 30</b></td> <td>55</td> <td>2.17</td> <td>—</td> <td>—</td> <td>50.5</td> <td>1.99</td> </tr> <tr> <td><b>DCV 50</b></td> <td>62.5</td> <td>2.46</td> <td>67.5</td> <td>2.66</td> <td>51.5</td> <td>2.03</td> </tr> <tr> <td><b>DCV 80</b></td> <td>74</td> <td>2.91</td> <td>79.5</td> <td>3.13</td> <td>53</td> <td>2.09</td> </tr> <tr> <td><b>DCV MG</b></td> <td>90</td> <td>3.54</td> <td>—</td> <td>—</td> <td>58</td> <td>2.28</td> </tr> </tbody> </table> <p>Cable length: 50 cm [19.69 inch]</p>		CS18		CSA18		B		mm	inch	mm	inch	mm	inch	<b>DCV 30</b>	55	2.17	—	—	50.5	1.99	<b>DCV 50</b>	62.5	2.46	67.5	2.66	51.5	2.03	<b>DCV 80</b>	74	2.91	79.5	3.13	53	2.09	<b>DCV MG</b>	90	3.54	—	—	58	2.28
	CS18			CSA18		B																																					
	mm	inch	mm	inch	mm	inch																																					
<b>DCV 30</b>	55	2.17	—	—	50.5	1.99																																					
<b>DCV 50</b>	62.5	2.46	67.5	2.66	51.5	2.03																																					
<b>DCV 80</b>	74	2.91	79.5	3.13	53	2.09																																					
<b>DCV MG</b>	90	3.54	—	—	58	2.28																																					
<b>CS19</b> <b>CSA19</b> (1)	Standard handle with microswitch in "b" Protection degree: IP67 Nominal rating: 0.1 ÷ 10 A / 250VAC Minimum rating: 1 mA / 4 VDC Operating temperature: -20 ÷ +85°C	<table border="1"> <thead> <tr> <th rowspan="2"></th> <th colspan="2">CS19</th> <th colspan="2">CSA19</th> <th colspan="2">B</th> </tr> <tr> <th>mm</th> <th>inch</th> <th>mm</th> <th>inch</th> <th>mm</th> <th>inch</th> </tr> </thead> <tbody> <tr> <td><b>DCV 30</b></td> <td>55</td> <td>2.17</td> <td>—</td> <td>—</td> <td>50.5</td> <td>1.99</td> </tr> <tr> <td><b>DCV 50</b></td> <td>62.5</td> <td>2.46</td> <td>67.5</td> <td>2.66</td> <td>51.5</td> <td>2.03</td> </tr> <tr> <td><b>DCV 80</b></td> <td>74</td> <td>2.91</td> <td>79.5</td> <td>3.13</td> <td>53</td> <td>2.09</td> </tr> <tr> <td><b>DCV MG</b></td> <td>90</td> <td>3.54</td> <td>—</td> <td>—</td> <td>58</td> <td>2.28</td> </tr> </tbody> </table> <p>Cable length: 50 cm [19.69 inch]</p>		CS19		CSA19		B		mm	inch	mm	inch	mm	inch	<b>DCV 30</b>	55	2.17	—	—	50.5	1.99	<b>DCV 50</b>	62.5	2.46	67.5	2.66	51.5	2.03	<b>DCV 80</b>	74	2.91	79.5	3.13	53	2.09	<b>DCV MG</b>	90	3.54	—	—	58	2.28
	CS19			CSA19		B																																					
	mm	inch	mm	inch	mm	inch																																					
<b>DCV 30</b>	55	2.17	—	—	50.5	1.99																																					
<b>DCV 50</b>	62.5	2.46	67.5	2.66	51.5	2.03																																					
<b>DCV 80</b>	74	2.91	79.5	3.13	53	2.09																																					
<b>DCV MG</b>	90	3.54	—	—	58	2.28																																					
<b>CS20</b> <b>CSA20</b> (1)	Standard handle with microswitch in 4th position Protection degree: IP67 Nominal rating: 0.1 ÷ 10 A / 250VAC Minimum rating: 1 mA / 4 VDC Operating temperature: -20 ÷ +85°C	<table border="1"> <thead> <tr> <th rowspan="2"></th> <th colspan="2">CS20</th> <th colspan="2">CSA20</th> <th colspan="2">B</th> </tr> <tr> <th>mm</th> <th>inch</th> <th>mm</th> <th>inch</th> <th>mm</th> <th>inch</th> </tr> </thead> <tbody> <tr> <td><b>DCV 30</b></td> <td>55</td> <td>2.17</td> <td>—</td> <td>—</td> <td>50.5</td> <td>1.99</td> </tr> <tr> <td><b>DCV 50</b></td> <td>62.5</td> <td>2.46</td> <td>67.5</td> <td>2.66</td> <td>51.5</td> <td>2.03</td> </tr> <tr> <td><b>DCV 80</b></td> <td>74</td> <td>2.91</td> <td>79.5</td> <td>3.13</td> <td>53</td> <td>2.09</td> </tr> <tr> <td><b>DCV MG</b></td> <td>90</td> <td>3.54</td> <td>—</td> <td>—</td> <td>58</td> <td>2.28</td> </tr> </tbody> </table> <p>Cable length: 50 cm [19.69 inch]</p>		CS20		CSA20		B		mm	inch	mm	inch	mm	inch	<b>DCV 30</b>	55	2.17	—	—	50.5	1.99	<b>DCV 50</b>	62.5	2.46	67.5	2.66	51.5	2.03	<b>DCV 80</b>	74	2.91	79.5	3.13	53	2.09	<b>DCV MG</b>	90	3.54	—	—	58	2.28
	CS20			CSA20		B																																					
	mm	inch	mm	inch	mm	inch																																					
<b>DCV 30</b>	55	2.17	—	—	50.5	1.99																																					
<b>DCV 50</b>	62.5	2.46	67.5	2.66	51.5	2.03																																					
<b>DCV 80</b>	74	2.91	79.5	3.13	53	2.09																																					
<b>DCV MG</b>	90	3.54	—	—	58	2.28																																					

(1) **CSA** = Aluminium version (only DCV50 - DCV80)

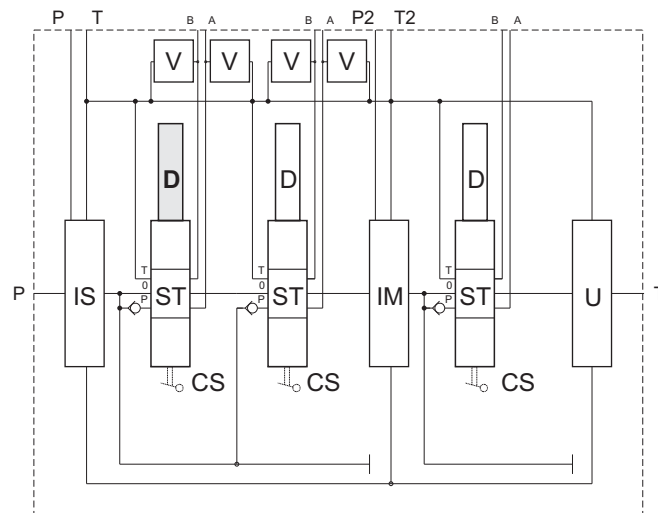
## CS\*\* Spool control side A

**	Description	Drawing																																									
<b>CS21</b> <b>CSA21</b> (1)	Handle 180° with microswitch in "a" and "b" Protection degree: IP67 Nominal rating: 0.1 ÷ 10 A / 250VAC Minimum rating: 1 mA / 4 VDC Operating temperature: -20 ÷ +85°C	 <table border="1" data-bbox="1034 385 1465 595"> <thead> <tr> <th rowspan="2"></th> <th colspan="2">CS21</th> <th colspan="2">CSA21</th> <th colspan="2">B</th> </tr> <tr> <th>mm</th> <th>inch</th> <th>mm</th> <th>inch</th> <th>mm</th> <th>inch</th> </tr> </thead> <tbody> <tr> <td><b>DCV 30</b></td> <td>55</td> <td>2.17</td> <td>—</td> <td>—</td> <td>50.5</td> <td>1.99</td> </tr> <tr> <td><b>DCV 50</b></td> <td>62.5</td> <td>2.46</td> <td>67.5</td> <td>2.66</td> <td>51.5</td> <td>2.03</td> </tr> <tr> <td><b>DCV 80</b></td> <td>74</td> <td>2.91</td> <td>79.5</td> <td>3.13</td> <td>53</td> <td>2.09</td> </tr> <tr> <td><b>DCV MG</b></td> <td>90</td> <td>3.54</td> <td>—</td> <td>—</td> <td>58</td> <td>2.28</td> </tr> </tbody> </table> <p>Cable length: 50 cm [19.69 inch]</p>		CS21		CSA21		B		mm	inch	mm	inch	mm	inch	<b>DCV 30</b>	55	2.17	—	—	50.5	1.99	<b>DCV 50</b>	62.5	2.46	67.5	2.66	51.5	2.03	<b>DCV 80</b>	74	2.91	79.5	3.13	53	2.09	<b>DCV MG</b>	90	3.54	—	—	58	2.28
	CS21			CSA21		B																																					
	mm	inch	mm	inch	mm	inch																																					
<b>DCV 30</b>	55	2.17	—	—	50.5	1.99																																					
<b>DCV 50</b>	62.5	2.46	67.5	2.66	51.5	2.03																																					
<b>DCV 80</b>	74	2.91	79.5	3.13	53	2.09																																					
<b>DCV MG</b>	90	3.54	—	—	58	2.28																																					
<b>CS22</b> <b>CSA22</b> (1)	Handle 180° with microswitch in "a" Protection degree: IP67 Nominal rating: 0.1 ÷ 10 A / 250VAC Minimum rating: 1 mA / 4 VDC Operating temperature: -20 ÷ +85°C	 <table border="1" data-bbox="1034 833 1465 1043"> <thead> <tr> <th rowspan="2"></th> <th colspan="2">CS22</th> <th colspan="2">CSA22</th> <th colspan="2">B</th> </tr> <tr> <th>mm</th> <th>inch</th> <th>mm</th> <th>inch</th> <th>mm</th> <th>inch</th> </tr> </thead> <tbody> <tr> <td><b>DCV 30</b></td> <td>55</td> <td>2.17</td> <td>—</td> <td>—</td> <td>50.5</td> <td>1.99</td> </tr> <tr> <td><b>DCV 50</b></td> <td>62.5</td> <td>2.46</td> <td>67.5</td> <td>2.66</td> <td>51.5</td> <td>2.03</td> </tr> <tr> <td><b>DCV 80</b></td> <td>74</td> <td>2.91</td> <td>79.5</td> <td>3.13</td> <td>53</td> <td>2.09</td> </tr> <tr> <td><b>DCV MG</b></td> <td>90</td> <td>3.54</td> <td>—</td> <td>—</td> <td>58</td> <td>2.28</td> </tr> </tbody> </table> <p>Cable length: 50 cm [19.69 inch]</p>		CS22		CSA22		B		mm	inch	mm	inch	mm	inch	<b>DCV 30</b>	55	2.17	—	—	50.5	1.99	<b>DCV 50</b>	62.5	2.46	67.5	2.66	51.5	2.03	<b>DCV 80</b>	74	2.91	79.5	3.13	53	2.09	<b>DCV MG</b>	90	3.54	—	—	58	2.28
	CS22			CSA22		B																																					
	mm	inch	mm	inch	mm	inch																																					
<b>DCV 30</b>	55	2.17	—	—	50.5	1.99																																					
<b>DCV 50</b>	62.5	2.46	67.5	2.66	51.5	2.03																																					
<b>DCV 80</b>	74	2.91	79.5	3.13	53	2.09																																					
<b>DCV MG</b>	90	3.54	—	—	58	2.28																																					
<b>CS23</b> <b>CSA23</b> (1)	Handle 180° with microswitch in "b" Protection degree: IP67 Nominal rating: 0.1 ÷ 10 A / 250VAC Minimum rating: 1 mA / 4 VDC Operating temperature: -20 ÷ +85°C	 <table border="1" data-bbox="1034 1281 1465 1491"> <thead> <tr> <th rowspan="2"></th> <th colspan="2">CS23</th> <th colspan="2">CSA23</th> <th colspan="2">B</th> </tr> <tr> <th>mm</th> <th>inch</th> <th>mm</th> <th>inch</th> <th>mm</th> <th>inch</th> </tr> </thead> <tbody> <tr> <td><b>DCV 30</b></td> <td>55</td> <td>2.17</td> <td>—</td> <td>—</td> <td>50.5</td> <td>1.99</td> </tr> <tr> <td><b>DCV 50</b></td> <td>62.5</td> <td>2.46</td> <td>67.5</td> <td>2.66</td> <td>51.5</td> <td>2.03</td> </tr> <tr> <td><b>DCV 80</b></td> <td>74</td> <td>2.91</td> <td>79.5</td> <td>3.13</td> <td>53</td> <td>2.09</td> </tr> <tr> <td><b>DCV MG</b></td> <td>90</td> <td>3.54</td> <td>—</td> <td>—</td> <td>58</td> <td>2.28</td> </tr> </tbody> </table> <p>Cable length: 50 cm [19.69 inch]</p>		CS23		CSA23		B		mm	inch	mm	inch	mm	inch	<b>DCV 30</b>	55	2.17	—	—	50.5	1.99	<b>DCV 50</b>	62.5	2.46	67.5	2.66	51.5	2.03	<b>DCV 80</b>	74	2.91	79.5	3.13	53	2.09	<b>DCV MG</b>	90	3.54	—	—	58	2.28
	CS23			CSA23		B																																					
	mm	inch	mm	inch	mm	inch																																					
<b>DCV 30</b>	55	2.17	—	—	50.5	1.99																																					
<b>DCV 50</b>	62.5	2.46	67.5	2.66	51.5	2.03																																					
<b>DCV 80</b>	74	2.91	79.5	3.13	53	2.09																																					
<b>DCV MG</b>	90	3.54	—	—	58	2.28																																					
<b>CS24</b> <b>CSA24</b> (1)	Handle 180° with microswitch in 4th position Protection degree: IP67 Nominal rating: 0.1 ÷ 10 A / 250VAC Minimum rating: 1 mA / 4 VDC Operating temperature: -20 ÷ +85°C	 <table border="1" data-bbox="1034 1729 1465 1939"> <thead> <tr> <th rowspan="2"></th> <th colspan="2">CS24</th> <th colspan="2">CSA24</th> <th colspan="2">B</th> </tr> <tr> <th>mm</th> <th>inch</th> <th>mm</th> <th>inch</th> <th>mm</th> <th>inch</th> </tr> </thead> <tbody> <tr> <td><b>DCV 30</b></td> <td>55</td> <td>2.17</td> <td>—</td> <td>—</td> <td>50.5</td> <td>1.99</td> </tr> <tr> <td><b>DCV 50</b></td> <td>62.5</td> <td>2.46</td> <td>67.5</td> <td>2.66</td> <td>51.5</td> <td>2.03</td> </tr> <tr> <td><b>DCV 80</b></td> <td>74</td> <td>2.91</td> <td>79.5</td> <td>3.13</td> <td>53</td> <td>2.09</td> </tr> <tr> <td><b>DCV MG</b></td> <td>90</td> <td>3.54</td> <td>—</td> <td>—</td> <td>58</td> <td>2.28</td> </tr> </tbody> </table> <p>Cable length: 50 cm [19.69 inch]</p>		CS24		CSA24		B		mm	inch	mm	inch	mm	inch	<b>DCV 30</b>	55	2.17	—	—	50.5	1.99	<b>DCV 50</b>	62.5	2.46	67.5	2.66	51.5	2.03	<b>DCV 80</b>	74	2.91	79.5	3.13	53	2.09	<b>DCV MG</b>	90	3.54	—	—	58	2.28
	CS24			CSA24		B																																					
	mm	inch	mm	inch	mm	inch																																					
<b>DCV 30</b>	55	2.17	—	—	50.5	1.99																																					
<b>DCV 50</b>	62.5	2.46	67.5	2.66	51.5	2.03																																					
<b>DCV 80</b>	74	2.91	79.5	3.13	53	2.09																																					
<b>DCV MG</b>	90	3.54	—	—	58	2.28																																					

(1) **CSA**. = Aluminium version (only DCV50 - DCV80)

Positioning / Control side B

DCV \*\* / \* I\* \*\*\* (\*\*\*) \* F\* ST\*\* CS\*\* **D\*\*** VA\*(\*\*) VB\*(\*\*) AP\* F\* W\* Xn IM\* F\* .. U\* F\*



**D\*\*** Positioning / Control side B

**	Description	Drawing																																										
<b>D1</b> <b>DA1</b> (1)	3 positions, spring centred spool 		<table border="1"> <thead> <tr> <th rowspan="2"></th> <th colspan="2">D1</th> <th colspan="2">A</th> <th colspan="2">DA1</th> </tr> <tr> <th>mm</th> <th>inch</th> <th>mm</th> <th>inch</th> <th>mm</th> <th>inch</th> </tr> </thead> <tbody> <tr> <td><b>DCV 30</b></td> <td>38</td> <td>1.5</td> <td>—</td> <td>—</td> <td>—</td> <td>—</td> </tr> <tr> <td><b>DCV 50</b></td> <td>41.5</td> <td>1.63</td> <td>42</td> <td>1.65</td> <td>—</td> <td>—</td> </tr> <tr> <td><b>DCV 80</b></td> <td>58</td> <td>2.28</td> <td>58</td> <td>2.28</td> <td>—</td> <td>—</td> </tr> <tr> <td><b>DCV MG</b></td> <td>65</td> <td>2.56</td> <td>—</td> <td>—</td> <td>—</td> <td>—</td> </tr> </tbody> </table>		D1		A		DA1		mm	inch	mm	inch	mm	inch	<b>DCV 30</b>	38	1.5	—	—	—	—	<b>DCV 50</b>	41.5	1.63	42	1.65	—	—	<b>DCV 80</b>	58	2.28	58	2.28	—	—	<b>DCV MG</b>	65	2.56	—	—	—	—
	D1		A		DA1																																							
	mm	inch	mm	inch	mm	inch																																						
<b>DCV 30</b>	38	1.5	—	—	—	—																																						
<b>DCV 50</b>	41.5	1.63	42	1.65	—	—																																						
<b>DCV 80</b>	58	2.28	58	2.28	—	—																																						
<b>DCV MG</b>	65	2.56	—	—	—	—																																						
<b>D2</b> <b>DA2</b> (1)	3 positions, spring centred spool, detent in "a" and "b" 		<table border="1"> <thead> <tr> <th rowspan="2"></th> <th colspan="2">D2</th> <th colspan="2">A</th> <th colspan="2">DA2</th> </tr> <tr> <th>mm</th> <th>inch</th> <th>mm</th> <th>inch</th> <th>mm</th> <th>inch</th> </tr> </thead> <tbody> <tr> <td><b>DCV 30</b></td> <td>63.5</td> <td>2.5</td> <td>—</td> <td>—</td> <td>—</td> <td>—</td> </tr> <tr> <td><b>DCV 50</b></td> <td>72.5</td> <td>2.85</td> <td>72.5</td> <td>2.85</td> <td>—</td> <td>—</td> </tr> <tr> <td><b>DCV 80</b></td> <td>91</td> <td>3.58</td> <td>91</td> <td>3.58</td> <td>—</td> <td>—</td> </tr> <tr> <td><b>DCV MG</b></td> <td>110</td> <td>4.33</td> <td>—</td> <td>—</td> <td>—</td> <td>—</td> </tr> </tbody> </table>		D2		A		DA2		mm	inch	mm	inch	mm	inch	<b>DCV 30</b>	63.5	2.5	—	—	—	—	<b>DCV 50</b>	72.5	2.85	72.5	2.85	—	—	<b>DCV 80</b>	91	3.58	91	3.58	—	—	<b>DCV MG</b>	110	4.33	—	—	—	—
	D2		A		DA2																																							
	mm	inch	mm	inch	mm	inch																																						
<b>DCV 30</b>	63.5	2.5	—	—	—	—																																						
<b>DCV 50</b>	72.5	2.85	72.5	2.85	—	—																																						
<b>DCV 80</b>	91	3.58	91	3.58	—	—																																						
<b>DCV MG</b>	110	4.33	—	—	—	—																																						
<b>D3</b> <b>DA3</b> (1)	3 positions, spring centred spool, detent in "a" 		<table border="1"> <thead> <tr> <th rowspan="2"></th> <th colspan="2">D3</th> <th colspan="2">A</th> <th colspan="2">DA3</th> </tr> <tr> <th>mm</th> <th>inch</th> <th>mm</th> <th>inch</th> <th>mm</th> <th>inch</th> </tr> </thead> <tbody> <tr> <td><b>DCV 30</b></td> <td>63.5</td> <td>2.5</td> <td>—</td> <td>—</td> <td>—</td> <td>—</td> </tr> <tr> <td><b>DCV 50</b></td> <td>72.5</td> <td>2.85</td> <td>72.5</td> <td>2.85</td> <td>—</td> <td>—</td> </tr> <tr> <td><b>DCV 80</b></td> <td>91</td> <td>3.58</td> <td>91</td> <td>3.58</td> <td>—</td> <td>—</td> </tr> <tr> <td><b>DCV MG</b></td> <td>110</td> <td>4.33</td> <td>—</td> <td>—</td> <td>—</td> <td>—</td> </tr> </tbody> </table>		D3		A		DA3		mm	inch	mm	inch	mm	inch	<b>DCV 30</b>	63.5	2.5	—	—	—	—	<b>DCV 50</b>	72.5	2.85	72.5	2.85	—	—	<b>DCV 80</b>	91	3.58	91	3.58	—	—	<b>DCV MG</b>	110	4.33	—	—	—	—
	D3		A		DA3																																							
	mm	inch	mm	inch	mm	inch																																						
<b>DCV 30</b>	63.5	2.5	—	—	—	—																																						
<b>DCV 50</b>	72.5	2.85	72.5	2.85	—	—																																						
<b>DCV 80</b>	91	3.58	91	3.58	—	—																																						
<b>DCV MG</b>	110	4.33	—	—	—	—																																						
<b>D4</b> <b>DA4</b> (1)	3 positions, spring centred spool, detent in "b" 		<table border="1"> <thead> <tr> <th rowspan="2"></th> <th colspan="2">D4</th> <th colspan="2">A</th> <th colspan="2">DA4</th> </tr> <tr> <th>mm</th> <th>inch</th> <th>mm</th> <th>inch</th> <th>mm</th> <th>inch</th> </tr> </thead> <tbody> <tr> <td><b>DCV 30</b></td> <td>63.5</td> <td>2.5</td> <td>—</td> <td>—</td> <td>—</td> <td>—</td> </tr> <tr> <td><b>DCV 50</b></td> <td>72.5</td> <td>2.85</td> <td>72.5</td> <td>2.85</td> <td>—</td> <td>—</td> </tr> <tr> <td><b>DCV 80</b></td> <td>91</td> <td>3.58</td> <td>91</td> <td>3.58</td> <td>—</td> <td>—</td> </tr> <tr> <td><b>DCV MG</b></td> <td>110</td> <td>4.33</td> <td>—</td> <td>—</td> <td>—</td> <td>—</td> </tr> </tbody> </table>		D4		A		DA4		mm	inch	mm	inch	mm	inch	<b>DCV 30</b>	63.5	2.5	—	—	—	—	<b>DCV 50</b>	72.5	2.85	72.5	2.85	—	—	<b>DCV 80</b>	91	3.58	91	3.58	—	—	<b>DCV MG</b>	110	4.33	—	—	—	—
	D4		A		DA4																																							
	mm	inch	mm	inch	mm	inch																																						
<b>DCV 30</b>	63.5	2.5	—	—	—	—																																						
<b>DCV 50</b>	72.5	2.85	72.5	2.85	—	—																																						
<b>DCV 80</b>	91	3.58	91	3.58	—	—																																						
<b>DCV MG</b>	110	4.33	—	—	—	—																																						
<b>D5</b> <b>DA5</b> (1)	4 positions, spring centred spool, detent in 4th position 		<table border="1"> <thead> <tr> <th rowspan="2"></th> <th colspan="2">D5</th> <th colspan="2">A</th> <th colspan="2">DA2</th> </tr> <tr> <th>mm</th> <th>inch</th> <th>mm</th> <th>inch</th> <th>mm</th> <th>inch</th> </tr> </thead> <tbody> <tr> <td><b>DCV 30</b></td> <td>63.5</td> <td>2.5</td> <td>—</td> <td>—</td> <td>—</td> <td>—</td> </tr> <tr> <td><b>DCV 50</b></td> <td>72.5</td> <td>2.85</td> <td>72.5</td> <td>2.85</td> <td>—</td> <td>—</td> </tr> <tr> <td><b>DCV 80</b></td> <td>91</td> <td>3.58</td> <td>91</td> <td>3.58</td> <td>—</td> <td>—</td> </tr> <tr> <td><b>DCV MG</b></td> <td>110</td> <td>4.33</td> <td>—</td> <td>—</td> <td>—</td> <td>—</td> </tr> </tbody> </table>		D5		A		DA2		mm	inch	mm	inch	mm	inch	<b>DCV 30</b>	63.5	2.5	—	—	—	—	<b>DCV 50</b>	72.5	2.85	72.5	2.85	—	—	<b>DCV 80</b>	91	3.58	91	3.58	—	—	<b>DCV MG</b>	110	4.33	—	—	—	—
	D5		A		DA2																																							
	mm	inch	mm	inch	mm	inch																																						
<b>DCV 30</b>	63.5	2.5	—	—	—	—																																						
<b>DCV 50</b>	72.5	2.85	72.5	2.85	—	—																																						
<b>DCV 80</b>	91	3.58	91	3.58	—	—																																						
<b>DCV MG</b>	110	4.33	—	—	—	—																																						

(1) **DA** = Aluminium version (only DCV50 - DCV80)

MODULAR

## D\*\* Positioning / Control side B

**	Description	Drawing																														
<b>D6</b> <b>DA6</b> (1)	4 positions, spring centred spool, sensitive 4th position, without detent 		<table border="1"> <thead> <tr> <th rowspan="2"></th> <th colspan="2">A</th> <th colspan="2">DA6</th> </tr> <tr> <th>mm</th> <th>inch</th> <th>mm</th> <th>inch</th> </tr> </thead> <tbody> <tr> <td><b>DCV 30</b></td> <td>63.5</td> <td>2.5</td> <td>—</td> <td>—</td> </tr> <tr> <td><b>DCV 50</b></td> <td>72.5</td> <td>2.85</td> <td>72.5</td> <td>2.85</td> </tr> <tr> <td><b>DCV 80</b></td> <td>91</td> <td>3.58</td> <td>91</td> <td>3.58</td> </tr> <tr> <td><b>DCV MG</b></td> <td>110</td> <td>4.33</td> <td>—</td> <td>—</td> </tr> </tbody> </table>		A		DA6		mm	inch	mm	inch	<b>DCV 30</b>	63.5	2.5	—	—	<b>DCV 50</b>	72.5	2.85	72.5	2.85	<b>DCV 80</b>	91	3.58	91	3.58	<b>DCV MG</b>	110	4.33	—	—
					A		DA6																									
mm	inch	mm		inch																												
<b>DCV 30</b>	63.5	2.5	—	—																												
<b>DCV 50</b>	72.5	2.85	72.5	2.85																												
<b>DCV 80</b>	91	3.58	91	3.58																												
<b>DCV MG</b>	110	4.33	—	—																												
<b>D7</b> <b>DA7</b> (1)	3 positions, spring centred spool, detent in "a" - "0" - "b" 		<table border="1"> <thead> <tr> <th rowspan="2"></th> <th colspan="2">A</th> <th colspan="2">DA7</th> </tr> <tr> <th>mm</th> <th>inch</th> <th>mm</th> <th>inch</th> </tr> </thead> <tbody> <tr> <td><b>DCV 30</b></td> <td>63.5</td> <td>2.5</td> <td>—</td> <td>—</td> </tr> <tr> <td><b>DCV 50</b></td> <td>72.5</td> <td>2.85</td> <td>72.5</td> <td>2.85</td> </tr> <tr> <td><b>DCV 80</b></td> <td>91</td> <td>3.58</td> <td>91</td> <td>3.58</td> </tr> <tr> <td><b>DCV MG</b></td> <td>110</td> <td>4.33</td> <td>—</td> <td>—</td> </tr> </tbody> </table>		A		DA7		mm	inch	mm	inch	<b>DCV 30</b>	63.5	2.5	—	—	<b>DCV 50</b>	72.5	2.85	72.5	2.85	<b>DCV 80</b>	91	3.58	91	3.58	<b>DCV MG</b>	110	4.33	—	—
					A		DA7																									
mm	inch	mm		inch																												
<b>DCV 30</b>	63.5	2.5	—	—																												
<b>DCV 50</b>	72.5	2.85	72.5	2.85																												
<b>DCV 80</b>	91	3.58	91	3.58																												
<b>DCV MG</b>	110	4.33	—	—																												
<b>D8</b> <b>DA8</b> (1)	2 positions ("0" - "b"), spring centred spool 		<table border="1"> <thead> <tr> <th rowspan="2"></th> <th colspan="2">A</th> <th colspan="2">DA8</th> </tr> <tr> <th>mm</th> <th>inch</th> <th>mm</th> <th>inch</th> </tr> </thead> <tbody> <tr> <td><b>DCV 30</b></td> <td>38</td> <td>1.5</td> <td>—</td> <td>—</td> </tr> <tr> <td><b>DCV 50</b></td> <td>41.5</td> <td>1.63</td> <td>42</td> <td>1.65</td> </tr> <tr> <td><b>DCV 80</b></td> <td>58</td> <td>2.28</td> <td>58</td> <td>2.28</td> </tr> <tr> <td><b>DCV MG</b></td> <td>65</td> <td>2.56</td> <td>—</td> <td>—</td> </tr> </tbody> </table>		A		DA8		mm	inch	mm	inch	<b>DCV 30</b>	38	1.5	—	—	<b>DCV 50</b>	41.5	1.63	42	1.65	<b>DCV 80</b>	58	2.28	58	2.28	<b>DCV MG</b>	65	2.56	—	—
					A		DA8																									
mm	inch	mm		inch																												
<b>DCV 30</b>	38	1.5	—	—																												
<b>DCV 50</b>	41.5	1.63	42	1.65																												
<b>DCV 80</b>	58	2.28	58	2.28																												
<b>DCV MG</b>	65	2.56	—	—																												
<b>D9</b> <b>DA9</b> (1)	2 positions ("0" - "a"), spring centred spool 		<table border="1"> <thead> <tr> <th rowspan="2"></th> <th colspan="2">A</th> <th colspan="2">DA9</th> </tr> <tr> <th>mm</th> <th>inch</th> <th>mm</th> <th>inch</th> </tr> </thead> <tbody> <tr> <td><b>DCV 30</b></td> <td>38</td> <td>1.5</td> <td>—</td> <td>—</td> </tr> <tr> <td><b>DCV 50</b></td> <td>41.5</td> <td>1.63</td> <td>42</td> <td>1.65</td> </tr> <tr> <td><b>DCV 80</b></td> <td>58</td> <td>2.28</td> <td>58</td> <td>2.28</td> </tr> <tr> <td><b>DCV MG</b></td> <td>65</td> <td>2.56</td> <td>—</td> <td>—</td> </tr> </tbody> </table>		A		DA9		mm	inch	mm	inch	<b>DCV 30</b>	38	1.5	—	—	<b>DCV 50</b>	41.5	1.63	42	1.65	<b>DCV 80</b>	58	2.28	58	2.28	<b>DCV MG</b>	65	2.56	—	—
					A		DA9																									
mm	inch	mm		inch																												
<b>DCV 30</b>	38	1.5	—	—																												
<b>DCV 50</b>	41.5	1.63	42	1.65																												
<b>DCV 80</b>	58	2.28	58	2.28																												
<b>DCV MG</b>	65	2.56	—	—																												
<b>D10</b> <b>DA10</b> (1)	2 positions ("0" - "b"), spring centred spool, detent in "b" 		<table border="1"> <thead> <tr> <th rowspan="2"></th> <th colspan="2">A</th> <th colspan="2">DA10</th> </tr> <tr> <th>mm</th> <th>inch</th> <th>mm</th> <th>inch</th> </tr> </thead> <tbody> <tr> <td><b>DCV 30</b></td> <td>63.5</td> <td>2.5</td> <td>—</td> <td>—</td> </tr> <tr> <td><b>DCV 50</b></td> <td>72.5</td> <td>2.85</td> <td>72.5</td> <td>2.85</td> </tr> <tr> <td><b>DCV 80</b></td> <td>91</td> <td>3.58</td> <td>91</td> <td>3.58</td> </tr> <tr> <td><b>DCV MG</b></td> <td>110</td> <td>4.33</td> <td>—</td> <td>—</td> </tr> </tbody> </table>		A		DA10		mm	inch	mm	inch	<b>DCV 30</b>	63.5	2.5	—	—	<b>DCV 50</b>	72.5	2.85	72.5	2.85	<b>DCV 80</b>	91	3.58	91	3.58	<b>DCV MG</b>	110	4.33	—	—
					A		DA10																									
mm	inch	mm		inch																												
<b>DCV 30</b>	63.5	2.5	—	—																												
<b>DCV 50</b>	72.5	2.85	72.5	2.85																												
<b>DCV 80</b>	91	3.58	91	3.58																												
<b>DCV MG</b>	110	4.33	—	—																												
<b>D11</b> <b>DA11</b> (1)	2 positions ("0" - "a"), spring centred spool, detent in "a" 		<table border="1"> <thead> <tr> <th rowspan="2"></th> <th colspan="2">A</th> <th colspan="2">DA11</th> </tr> <tr> <th>mm</th> <th>inch</th> <th>mm</th> <th>inch</th> </tr> </thead> <tbody> <tr> <td><b>DCV 30</b></td> <td>63.5</td> <td>2.5</td> <td>—</td> <td>—</td> </tr> <tr> <td><b>DCV 50</b></td> <td>72.5</td> <td>2.85</td> <td>72.5</td> <td>2.85</td> </tr> <tr> <td><b>DCV 80</b></td> <td>91</td> <td>3.58</td> <td>91</td> <td>3.58</td> </tr> <tr> <td><b>DCV MG</b></td> <td>110</td> <td>4.33</td> <td>—</td> <td>—</td> </tr> </tbody> </table>		A		DA11		mm	inch	mm	inch	<b>DCV 30</b>	63.5	2.5	—	—	<b>DCV 50</b>	72.5	2.85	72.5	2.85	<b>DCV 80</b>	91	3.58	91	3.58	<b>DCV MG</b>	110	4.33	—	—
					A		DA11																									
mm	inch	mm		inch																												
<b>DCV 30</b>	63.5	2.5	—	—																												
<b>DCV 50</b>	72.5	2.85	72.5	2.85																												
<b>DCV 80</b>	91	3.58	91	3.58																												
<b>DCV MG</b>	110	4.33	—	—																												
<b>D12</b> <b>DA12</b> (1)	3 positions free (without spring) 		<table border="1"> <thead> <tr> <th rowspan="2"></th> <th colspan="2">A</th> <th colspan="2">DA12</th> </tr> <tr> <th>mm</th> <th>inch</th> <th>mm</th> <th>inch</th> </tr> </thead> <tbody> <tr> <td><b>DCV 30</b></td> <td>38</td> <td>1.5</td> <td>—</td> <td>—</td> </tr> <tr> <td><b>DCV 50</b></td> <td>41.5</td> <td>1.63</td> <td>42</td> <td>1.65</td> </tr> <tr> <td><b>DCV 80</b></td> <td>58</td> <td>2.28</td> <td>58</td> <td>2.28</td> </tr> <tr> <td><b>DCV MG</b></td> <td>65</td> <td>2.56</td> <td>—</td> <td>—</td> </tr> </tbody> </table>		A		DA12		mm	inch	mm	inch	<b>DCV 30</b>	38	1.5	—	—	<b>DCV 50</b>	41.5	1.63	42	1.65	<b>DCV 80</b>	58	2.28	58	2.28	<b>DCV MG</b>	65	2.56	—	—
					A		DA12																									
mm	inch	mm		inch																												
<b>DCV 30</b>	38	1.5	—	—																												
<b>DCV 50</b>	41.5	1.63	42	1.65																												
<b>DCV 80</b>	58	2.28	58	2.28																												
<b>DCV MG</b>	65	2.56	—	—																												
<b>D13</b> <b>DA13</b> (1)	Prearranged for double control 		<table border="1"> <thead> <tr> <th rowspan="2"></th> <th colspan="2">A</th> <th rowspan="2">B</th> </tr> <tr> <th>mm</th> <th>inch</th> </tr> </thead> <tbody> <tr> <td><b>DCV 30</b></td> <td>58</td> <td>2.28</td> <td>M6</td> </tr> <tr> <td><b>DCV 50</b></td> <td>71</td> <td>2.80</td> <td>M8</td> </tr> <tr> <td><b>DCV 80</b></td> <td>99</td> <td>3.90</td> <td>M8</td> </tr> <tr> <td><b>DCV MG</b></td> <td>103.5</td> <td>4.07</td> <td>M10</td> </tr> </tbody> </table>		A		B	mm	inch	<b>DCV 30</b>	58	2.28	M6	<b>DCV 50</b>	71	2.80	M8	<b>DCV 80</b>	99	3.90	M8	<b>DCV MG</b>	103.5	4.07	M10							
					A			B																								
mm	inch																															
<b>DCV 30</b>	58	2.28	M6																													
<b>DCV 50</b>	71	2.80	M8																													
<b>DCV 80</b>	99	3.90	M8																													
<b>DCV MG</b>	103.5	4.07	M10																													

(1) **DA** = Aluminium version (only DCV50 - DCV80)



## D\*\* Positioning / Control side B

**	Description	Drawing																															
<b>D14</b>	ON-OFF pneumatic control - Pilot pressure 5-10 bar 72.5-145 psi  		<table border="1"> <thead> <tr> <th></th> <th colspan="2">A</th> <th colspan="2">B</th> </tr> <tr> <th></th> <th>mm</th> <th>inch</th> <th>mm</th> <th>inch</th> </tr> </thead> <tbody> <tr> <td><b>DCV 30</b></td> <td>111</td> <td>4.37</td> <td>1/8" BSP</td> <td></td> </tr> <tr> <td><b>DCV 50</b></td> <td>119.5</td> <td>4.70</td> <td>1/8" BSP</td> <td></td> </tr> <tr> <td><b>DCV 80</b></td> <td>143</td> <td>5.63</td> <td>1/8" BSP</td> <td></td> </tr> <tr> <td><b>DCV MG</b></td> <td>148</td> <td>5.83</td> <td>1/8" BSP</td> <td></td> </tr> </tbody> </table>		A		B			mm	inch	mm	inch	<b>DCV 30</b>	111	4.37	1/8" BSP		<b>DCV 50</b>	119.5	4.70	1/8" BSP		<b>DCV 80</b>	143	5.63	1/8" BSP		<b>DCV MG</b>	148	5.83	1/8" BSP	
				A		B																											
	mm	inch	mm	inch																													
<b>DCV 30</b>	111	4.37	1/8" BSP																														
<b>DCV 50</b>	119.5	4.70	1/8" BSP																														
<b>DCV 80</b>	143	5.63	1/8" BSP																														
<b>DCV MG</b>	148	5.83	1/8" BSP																														
<b>D15</b> (1)	Electrohydraulic ON-OFF control. Voltage 12Vdc with pressure reducing valve - Pilot pressure 20 bar 290 psi  		<table border="1"> <thead> <tr> <th></th> <th colspan="2">A</th> <th colspan="2">B</th> </tr> <tr> <th></th> <th>mm</th> <th>inch</th> <th>mm</th> <th>inch</th> </tr> </thead> <tbody> <tr> <td><b>DCV 30</b></td> <td>105.5</td> <td>4.15</td> <td>122</td> <td>4.80</td> </tr> <tr> <td><b>DCV 50</b></td> <td>110.5</td> <td>4.35</td> <td>124</td> <td>4.88</td> </tr> <tr> <td><b>DCV 80</b></td> <td>127</td> <td>5.00</td> <td>127.5</td> <td>5.02</td> </tr> <tr> <td><b>DCV MG</b></td> <td>131</td> <td>5.16</td> <td>134.5</td> <td>5.30</td> </tr> </tbody> </table>		A		B			mm	inch	mm	inch	<b>DCV 30</b>	105.5	4.15	122	4.80	<b>DCV 50</b>	110.5	4.35	124	4.88	<b>DCV 80</b>	127	5.00	127.5	5.02	<b>DCV MG</b>	131	5.16	134.5	5.30
				A		B																											
	mm	inch	mm	inch																													
<b>DCV 30</b>	105.5	4.15	122	4.80																													
<b>DCV 50</b>	110.5	4.35	124	4.88																													
<b>DCV 80</b>	127	5.00	127.5	5.02																													
<b>DCV MG</b>	131	5.16	134.5	5.30																													
<table border="1"> <tr> <td>Connector</td> <td>wires 30 cm</td> </tr> <tr> <td>Protection degree</td> <td>IP65</td> </tr> <tr> <td>Ambient temperature</td> <td>-30 +60 °C</td> </tr> <tr> <td>Nominal power</td> <td>10 W</td> </tr> </table>		Connector	wires 30 cm	Protection degree	IP65	Ambient temperature	-30 +60 °C	Nominal power	10 W																								
Connector	wires 30 cm																																
Protection degree	IP65																																
Ambient temperature	-30 +60 °C																																
Nominal power	10 W																																
<b>D16</b> (1)	Electrohydraulic ON-OFF control. Voltage 12Vdc without pressure reducing valve - Pilot pressure 20 bar 290 psi  		<table border="1"> <thead> <tr> <th></th> <th colspan="2">A</th> <th colspan="2">B</th> </tr> <tr> <th></th> <th>mm</th> <th>inch</th> <th>mm</th> <th>inch</th> </tr> </thead> <tbody> <tr> <td><b>DCV 30</b></td> <td>105.5</td> <td>4.15</td> <td>122</td> <td>4.80</td> </tr> <tr> <td><b>DCV 50</b></td> <td>110.5</td> <td>4.35</td> <td>124</td> <td>4.88</td> </tr> <tr> <td><b>DCV 80</b></td> <td>127</td> <td>5.00</td> <td>127.5</td> <td>5.02</td> </tr> <tr> <td><b>DCV MG</b></td> <td>131</td> <td>5.16</td> <td>134.5</td> <td>5.30</td> </tr> </tbody> </table>		A		B			mm	inch	mm	inch	<b>DCV 30</b>	105.5	4.15	122	4.80	<b>DCV 50</b>	110.5	4.35	124	4.88	<b>DCV 80</b>	127	5.00	127.5	5.02	<b>DCV MG</b>	131	5.16	134.5	5.30
				A		B																											
	mm	inch	mm	inch																													
<b>DCV 30</b>	105.5	4.15	122	4.80																													
<b>DCV 50</b>	110.5	4.35	124	4.88																													
<b>DCV 80</b>	127	5.00	127.5	5.02																													
<b>DCV MG</b>	131	5.16	134.5	5.30																													
<table border="1"> <tr> <td>Connector</td> <td>wires 30 cm</td> </tr> <tr> <td>Protection degree</td> <td>IP65</td> </tr> <tr> <td>Ambient temperature</td> <td>-30 +60 °C</td> </tr> <tr> <td>Nominal power</td> <td>10 W</td> </tr> </table>		Connector	wires 30 cm	Protection degree	IP65	Ambient temperature	-30 +60 °C	Nominal power	10 W																								
Connector	wires 30 cm																																
Protection degree	IP65																																
Ambient temperature	-30 +60 °C																																
Nominal power	10 W																																
<b>D17</b> (1)	Electrohydraulic ON-OFF control. Voltage 24Vdc with pressure reducing valve - Pilot pressure 20 bar 290 psi  		<table border="1"> <thead> <tr> <th></th> <th colspan="2">A</th> <th colspan="2">B</th> </tr> <tr> <th></th> <th>mm</th> <th>inch</th> <th>mm</th> <th>inch</th> </tr> </thead> <tbody> <tr> <td><b>DCV 30</b></td> <td>105.5</td> <td>4.15</td> <td>122</td> <td>4.80</td> </tr> <tr> <td><b>DCV 50</b></td> <td>110.5</td> <td>4.35</td> <td>124</td> <td>4.88</td> </tr> <tr> <td><b>DCV 80</b></td> <td>127</td> <td>5.00</td> <td>127.5</td> <td>5.02</td> </tr> <tr> <td><b>DCV MG</b></td> <td>131</td> <td>5.16</td> <td>134.5</td> <td>5.30</td> </tr> </tbody> </table>		A		B			mm	inch	mm	inch	<b>DCV 30</b>	105.5	4.15	122	4.80	<b>DCV 50</b>	110.5	4.35	124	4.88	<b>DCV 80</b>	127	5.00	127.5	5.02	<b>DCV MG</b>	131	5.16	134.5	5.30
				A		B																											
	mm	inch	mm	inch																													
<b>DCV 30</b>	105.5	4.15	122	4.80																													
<b>DCV 50</b>	110.5	4.35	124	4.88																													
<b>DCV 80</b>	127	5.00	127.5	5.02																													
<b>DCV MG</b>	131	5.16	134.5	5.30																													
<table border="1"> <tr> <td>Connector</td> <td>wires 30 cm</td> </tr> <tr> <td>Protection degree</td> <td>IP65</td> </tr> <tr> <td>Ambient temperature</td> <td>-30 +60 °C</td> </tr> <tr> <td>Nominal power</td> <td>10 W</td> </tr> </table>		Connector	wires 30 cm	Protection degree	IP65	Ambient temperature	-30 +60 °C	Nominal power	10 W																								
Connector	wires 30 cm																																
Protection degree	IP65																																
Ambient temperature	-30 +60 °C																																
Nominal power	10 W																																
<b>D18</b> (1)	Electrohydraulic ON-OFF control. Voltage 24Vdc without pressure reducing valve - Pilot pressure 20 bar 290 psi  		<table border="1"> <thead> <tr> <th></th> <th colspan="2">A</th> <th colspan="2">B</th> </tr> <tr> <th></th> <th>mm</th> <th>inch</th> <th>mm</th> <th>inch</th> </tr> </thead> <tbody> <tr> <td><b>DCV 30</b></td> <td>105.5</td> <td>4.15</td> <td>122</td> <td>4.80</td> </tr> <tr> <td><b>DCV 50</b></td> <td>110.5</td> <td>4.35</td> <td>124</td> <td>4.88</td> </tr> <tr> <td><b>DCV 80</b></td> <td>127</td> <td>5.00</td> <td>127.5</td> <td>5.02</td> </tr> <tr> <td><b>DCV MG</b></td> <td>131</td> <td>5.16</td> <td>134.5</td> <td>5.30</td> </tr> </tbody> </table>		A		B			mm	inch	mm	inch	<b>DCV 30</b>	105.5	4.15	122	4.80	<b>DCV 50</b>	110.5	4.35	124	4.88	<b>DCV 80</b>	127	5.00	127.5	5.02	<b>DCV MG</b>	131	5.16	134.5	5.30
				A		B																											
	mm	inch	mm	inch																													
<b>DCV 30</b>	105.5	4.15	122	4.80																													
<b>DCV 50</b>	110.5	4.35	124	4.88																													
<b>DCV 80</b>	127	5.00	127.5	5.02																													
<b>DCV MG</b>	131	5.16	134.5	5.30																													
<table border="1"> <tr> <td>Connector</td> <td>wires 30 cm</td> </tr> <tr> <td>Protection degree</td> <td>IP65</td> </tr> <tr> <td>Ambient temperature</td> <td>-30 +60 °C</td> </tr> <tr> <td>Nominal power</td> <td>10 W</td> </tr> </table>		Connector	wires 30 cm	Protection degree	IP65	Ambient temperature	-30 +60 °C	Nominal power	10 W																								
Connector	wires 30 cm																																
Protection degree	IP65																																
Ambient temperature	-30 +60 °C																																
Nominal power	10 W																																

(1) Valid only for the first section with electrohydraulic control.

For proper operation it is required a pressure of 8 bar (116 psi) measured at the input P or P1.

**MODULAR**

## D\*\* Positioning / Control side B

**	Description	Drawing																															
D19 (3)	Electrohydraulic ON-OFF control. Voltage 12Vdc - Pilot pressure 20 bar 290 psi  		<table border="1"> <thead> <tr> <th></th> <th colspan="2">A</th> <th colspan="2">B</th> </tr> <tr> <th></th> <th>mm</th> <th>inch</th> <th>mm</th> <th>inch</th> </tr> </thead> <tbody> <tr> <td><b>DCV 30</b></td> <td>105.5</td> <td>4.15</td> <td>122</td> <td>4.80</td> </tr> <tr> <td><b>DCV 50</b></td> <td>110.5</td> <td>4.35</td> <td>124</td> <td>4.88</td> </tr> <tr> <td><b>DCV 80</b></td> <td>127</td> <td>5.00</td> <td>127.5</td> <td>5.02</td> </tr> <tr> <td><b>DCV MG</b></td> <td>131</td> <td>5.16</td> <td>134.5</td> <td>5.30</td> </tr> </tbody> </table>		A		B			mm	inch	mm	inch	<b>DCV 30</b>	105.5	4.15	122	4.80	<b>DCV 50</b>	110.5	4.35	124	4.88	<b>DCV 80</b>	127	5.00	127.5	5.02	<b>DCV MG</b>	131	5.16	134.5	5.30
				A		B																											
				mm	inch	mm	inch																										
<b>DCV 30</b>	105.5	4.15	122	4.80																													
<b>DCV 50</b>	110.5	4.35	124	4.88																													
<b>DCV 80</b>	127	5.00	127.5	5.02																													
<b>DCV MG</b>	131	5.16	134.5	5.30																													
<table border="1"> <tr> <td>Connector</td> <td>wires 30 cm</td> </tr> <tr> <td>Protection degree</td> <td>IP65</td> </tr> <tr> <td>Ambient temperature</td> <td>-30 +60 °C</td> </tr> <tr> <td>Nominal power</td> <td>10 W</td> </tr> </table>	Connector	wires 30 cm	Protection degree	IP65	Ambient temperature	-30 +60 °C	Nominal power	10 W																									
Connector	wires 30 cm																																
Protection degree	IP65																																
Ambient temperature	-30 +60 °C																																
Nominal power	10 W																																
D20 (3)	Electrohydraulic ON-OFF control. Voltage 24Vdc - Pilot pressure 20 bar 290 psi  		<table border="1"> <thead> <tr> <th></th> <th colspan="2">A</th> <th colspan="2">B</th> </tr> <tr> <th></th> <th>mm</th> <th>inch</th> <th>mm</th> <th>inch</th> </tr> </thead> <tbody> <tr> <td><b>DCV 30</b></td> <td>105.5</td> <td>4.15</td> <td>122</td> <td>4.80</td> </tr> <tr> <td><b>DCV 50</b></td> <td>110.5</td> <td>4.35</td> <td>124</td> <td>4.88</td> </tr> <tr> <td><b>DCV 80</b></td> <td>127</td> <td>5.00</td> <td>127.5</td> <td>5.02</td> </tr> <tr> <td><b>DCV MG</b></td> <td>131</td> <td>5.16</td> <td>134.5</td> <td>5.30</td> </tr> </tbody> </table>		A		B			mm	inch	mm	inch	<b>DCV 30</b>	105.5	4.15	122	4.80	<b>DCV 50</b>	110.5	4.35	124	4.88	<b>DCV 80</b>	127	5.00	127.5	5.02	<b>DCV MG</b>	131	5.16	134.5	5.30
				A		B																											
				mm	inch	mm	inch																										
<b>DCV 30</b>	105.5	4.15	122	4.80																													
<b>DCV 50</b>	110.5	4.35	124	4.88																													
<b>DCV 80</b>	127	5.00	127.5	5.02																													
<b>DCV MG</b>	131	5.16	134.5	5.30																													
<table border="1"> <tr> <td>Connector</td> <td>wires 30 cm</td> </tr> <tr> <td>Protection degree</td> <td>IP65</td> </tr> <tr> <td>Ambient temperature</td> <td>-30 +60 °C</td> </tr> <tr> <td>Nominal power</td> <td>10 W</td> </tr> </table>	Connector	wires 30 cm	Protection degree	IP65	Ambient temperature	-30 +60 °C	Nominal power	10 W																									
Connector	wires 30 cm																																
Protection degree	IP65																																
Ambient temperature	-30 +60 °C																																
Nominal power	10 W																																
D21	ON-OFF electro pneumatic control. Voltage 12Vdc - Pilot pressure 5-10 bar 72.5-145 psi  		<table border="1"> <thead> <tr> <th></th> <th colspan="2">A</th> <th colspan="2">B</th> </tr> <tr> <th></th> <th>mm</th> <th>inch</th> <th>mm</th> <th>inch</th> </tr> </thead> <tbody> <tr> <td><b>DCV 30</b></td> <td>111</td> <td>4.37</td> <td>119</td> <td>4.69</td> </tr> <tr> <td><b>DCV 50</b></td> <td>119.5</td> <td>4.70</td> <td>121</td> <td>4.76</td> </tr> <tr> <td><b>DCV 80</b></td> <td>143</td> <td>5.63</td> <td>132</td> <td>5.20</td> </tr> <tr> <td><b>DCV MG</b></td> <td>148</td> <td>5.83</td> <td>139</td> <td>5.47</td> </tr> </tbody> </table>		A		B			mm	inch	mm	inch	<b>DCV 30</b>	111	4.37	119	4.69	<b>DCV 50</b>	119.5	4.70	121	4.76	<b>DCV 80</b>	143	5.63	132	5.20	<b>DCV MG</b>	148	5.83	139	5.47
				A		B																											
				mm	inch	mm	inch																										
<b>DCV 30</b>	111	4.37	119	4.69																													
<b>DCV 50</b>	119.5	4.70	121	4.76																													
<b>DCV 80</b>	143	5.63	132	5.20																													
<b>DCV MG</b>	148	5.83	139	5.47																													
<table border="1"> <tr> <td>Connector</td> <td>DIN 43650-B ISO6952</td> </tr> <tr> <td>Protection degree</td> <td>IP65</td> </tr> <tr> <td>Ambient temperature</td> <td>-20 +40 °C</td> </tr> <tr> <td>Nominal power</td> <td>8 W</td> </tr> </table>	Connector	DIN 43650-B ISO6952	Protection degree	IP65	Ambient temperature	-20 +40 °C	Nominal power	8 W																									
Connector	DIN 43650-B ISO6952																																
Protection degree	IP65																																
Ambient temperature	-20 +40 °C																																
Nominal power	8 W																																
D22	ON-OFF electro pneumatic control. Voltage 24Vdc - Pilot pressure 5-10 bar 72.5-145 psi  		<table border="1"> <thead> <tr> <th></th> <th colspan="2">A</th> <th colspan="2">B</th> </tr> <tr> <th></th> <th>mm</th> <th>inch</th> <th>mm</th> <th>inch</th> </tr> </thead> <tbody> <tr> <td><b>DCV 30</b></td> <td>111</td> <td>4.37</td> <td>119</td> <td>4.69</td> </tr> <tr> <td><b>DCV 50</b></td> <td>119.5</td> <td>4.70</td> <td>121</td> <td>4.76</td> </tr> <tr> <td><b>DCV 80</b></td> <td>143</td> <td>5.63</td> <td>132</td> <td>5.20</td> </tr> <tr> <td><b>DCV MG</b></td> <td>148</td> <td>5.83</td> <td>139</td> <td>5.47</td> </tr> </tbody> </table>		A		B			mm	inch	mm	inch	<b>DCV 30</b>	111	4.37	119	4.69	<b>DCV 50</b>	119.5	4.70	121	4.76	<b>DCV 80</b>	143	5.63	132	5.20	<b>DCV MG</b>	148	5.83	139	5.47
				A		B																											
				mm	inch	mm	inch																										
<b>DCV 30</b>	111	4.37	119	4.69																													
<b>DCV 50</b>	119.5	4.70	121	4.76																													
<b>DCV 80</b>	143	5.63	132	5.20																													
<b>DCV MG</b>	148	5.83	139	5.47																													
<table border="1"> <tr> <td>Connector</td> <td>DIN 43650-B ISO6952</td> </tr> <tr> <td>Protection degree</td> <td>IP65</td> </tr> <tr> <td>Ambient temperature</td> <td>-20 +40 °C</td> </tr> <tr> <td>Nominal power</td> <td>8 W</td> </tr> </table>	Connector	DIN 43650-B ISO6952	Protection degree	IP65	Ambient temperature	-20 +40 °C	Nominal power	8 W																									
Connector	DIN 43650-B ISO6952																																
Protection degree	IP65																																
Ambient temperature	-20 +40 °C																																
Nominal power	8 W																																
D23	ON-OFF electro pneumatic control. Voltage 26Vdc - Pilot pressure 5-10 bar 72.5-145 psi  		<table border="1"> <thead> <tr> <th></th> <th colspan="2">A</th> <th colspan="2">B</th> </tr> <tr> <th></th> <th>mm</th> <th>inch</th> <th>mm</th> <th>inch</th> </tr> </thead> <tbody> <tr> <td><b>DCV 30</b></td> <td>111</td> <td>4.37</td> <td>119</td> <td>4.69</td> </tr> <tr> <td><b>DCV 50</b></td> <td>119.5</td> <td>4.70</td> <td>121</td> <td>4.76</td> </tr> <tr> <td><b>DCV 80</b></td> <td>143</td> <td>5.63</td> <td>132</td> <td>5.20</td> </tr> <tr> <td><b>DCV MG</b></td> <td>148</td> <td>5.83</td> <td>139</td> <td>5.47</td> </tr> </tbody> </table>		A		B			mm	inch	mm	inch	<b>DCV 30</b>	111	4.37	119	4.69	<b>DCV 50</b>	119.5	4.70	121	4.76	<b>DCV 80</b>	143	5.63	132	5.20	<b>DCV MG</b>	148	5.83	139	5.47
				A		B																											
				mm	inch	mm	inch																										
<b>DCV 30</b>	111	4.37	119	4.69																													
<b>DCV 50</b>	119.5	4.70	121	4.76																													
<b>DCV 80</b>	143	5.63	132	5.20																													
<b>DCV MG</b>	148	5.83	139	5.47																													
<table border="1"> <tr> <td>Connector</td> <td>DIN 43650-B ISO6952</td> </tr> <tr> <td>Protection degree</td> <td>IP65</td> </tr> <tr> <td>Ambient temperature</td> <td>-20 +40 °C</td> </tr> <tr> <td>Nominal power</td> <td>8 W</td> </tr> </table>	Connector	DIN 43650-B ISO6952	Protection degree	IP65	Ambient temperature	-20 +40 °C	Nominal power	8 W																									
Connector	DIN 43650-B ISO6952																																
Protection degree	IP65																																
Ambient temperature	-20 +40 °C																																
Nominal power	8 W																																
D24	ON-OFF electro pneumatic control. Voltage 28Vdc - Pilot pressure 5-10 bar 72.5-145 psi  		<table border="1"> <thead> <tr> <th></th> <th colspan="2">A</th> <th colspan="2">B</th> </tr> <tr> <th></th> <th>mm</th> <th>inch</th> <th>mm</th> <th>inch</th> </tr> </thead> <tbody> <tr> <td><b>DCV 30</b></td> <td>111</td> <td>4.37</td> <td>119</td> <td>4.69</td> </tr> <tr> <td><b>DCV 50</b></td> <td>119.5</td> <td>4.70</td> <td>121</td> <td>4.76</td> </tr> <tr> <td><b>DCV 80</b></td> <td>143</td> <td>5.63</td> <td>132</td> <td>5.20</td> </tr> <tr> <td><b>DCV MG</b></td> <td>148</td> <td>5.83</td> <td>139</td> <td>5.47</td> </tr> </tbody> </table>		A		B			mm	inch	mm	inch	<b>DCV 30</b>	111	4.37	119	4.69	<b>DCV 50</b>	119.5	4.70	121	4.76	<b>DCV 80</b>	143	5.63	132	5.20	<b>DCV MG</b>	148	5.83	139	5.47
				A		B																											
				mm	inch	mm	inch																										
<b>DCV 30</b>	111	4.37	119	4.69																													
<b>DCV 50</b>	119.5	4.70	121	4.76																													
<b>DCV 80</b>	143	5.63	132	5.20																													
<b>DCV MG</b>	148	5.83	139	5.47																													
<table border="1"> <tr> <td>Connector</td> <td>DIN 43650-B ISO6952</td> </tr> <tr> <td>Protection degree</td> <td>IP65</td> </tr> <tr> <td>Ambient temperature</td> <td>-20 +40 °C</td> </tr> <tr> <td>Nominal power</td> <td>6 W</td> </tr> </table>	Connector	DIN 43650-B ISO6952	Protection degree	IP65	Ambient temperature	-20 +40 °C	Nominal power	6 W																									
Connector	DIN 43650-B ISO6952																																
Protection degree	IP65																																
Ambient temperature	-20 +40 °C																																
Nominal power	6 W																																

(3) Valid only for the section following the first one

## D\*\* Positioning / Control side B

**	Description	Drawing																														
<b>D25</b> <b>DA25</b> <i>(1)</i>	Micro-switch in "a" and "b" Protection degree: IP67 Nominal rating: 0.1 ÷ 10 A / 250VAC Minimum rating: 1 mA / 4 VDC Operating temperature: -20 ÷ +85°C	<p>Cable length: 50 cm [19.69 inch]</p> <table border="1"> <thead> <tr> <th></th> <th colspan="2">A</th> </tr> <tr> <th></th> <th>mm</th> <th>inch</th> </tr> </thead> <tbody> <tr> <td><b>DCV 50</b></td> <td>70</td> <td>2.76</td> </tr> <tr> <td><b>DCV 80</b></td> <td>91</td> <td>3.58</td> </tr> <tr> <td><b>DCV MG</b></td> <td>110</td> <td>4.33</td> </tr> </tbody> </table>		A			mm	inch	<b>DCV 50</b>	70	2.76	<b>DCV 80</b>	91	3.58	<b>DCV MG</b>	110	4.33															
	A																															
	mm	inch																														
<b>DCV 50</b>	70	2.76																														
<b>DCV 80</b>	91	3.58																														
<b>DCV MG</b>	110	4.33																														
<b>D26</b> <b>DA26</b> <i>(1)</i>	Micro-switch in "a" Protection degree: IP67 Nominal rating: 0.1 ÷ 10 A / 250VAC Minimum rating: 1 mA / 4 VDC Operating temperature: -20 ÷ +85°C	<p>Cable length: 50 cm [19.69 inch]</p> <table border="1"> <thead> <tr> <th></th> <th colspan="2">A</th> </tr> <tr> <th></th> <th>mm</th> <th>inch</th> </tr> </thead> <tbody> <tr> <td><b>DCV 50</b></td> <td>70</td> <td>2.76</td> </tr> <tr> <td><b>DCV 80</b></td> <td>91</td> <td>3.58</td> </tr> <tr> <td><b>DCV MG</b></td> <td>110</td> <td>4.33</td> </tr> </tbody> </table>		A			mm	inch	<b>DCV 50</b>	70	2.76	<b>DCV 80</b>	91	3.58	<b>DCV MG</b>	110	4.33															
	A																															
	mm	inch																														
<b>DCV 50</b>	70	2.76																														
<b>DCV 80</b>	91	3.58																														
<b>DCV MG</b>	110	4.33																														
<b>D27</b> <b>DA27</b> <i>(1)</i>	Micro-switch in "b" Protection degree: IP67 Nominal rating: 0.1 ÷ 10 A / 250VAC Minimum rating: 1 mA / 4 VDC Operating temperature: -20 ÷ +85°C	<p>Cable length: 50 cm [19.69 inch]</p> <table border="1"> <thead> <tr> <th></th> <th colspan="2">A</th> </tr> <tr> <th></th> <th>mm</th> <th>inch</th> </tr> </thead> <tbody> <tr> <td><b>DCV 50</b></td> <td>70</td> <td>2.76</td> </tr> <tr> <td><b>DCV 80</b></td> <td>91</td> <td>3.58</td> </tr> <tr> <td><b>DCV MG</b></td> <td>110</td> <td>4.33</td> </tr> </tbody> </table>		A			mm	inch	<b>DCV 50</b>	70	2.76	<b>DCV 80</b>	91	3.58	<b>DCV MG</b>	110	4.33															
	A																															
	mm	inch																														
<b>DCV 50</b>	70	2.76																														
<b>DCV 80</b>	91	3.58																														
<b>DCV MG</b>	110	4.33																														
<b>D29</b>	Detent with adjustable automatic hydraulic release in "a" and "b" 	<table border="1"> <thead> <tr> <th></th> <th colspan="2">A</th> </tr> <tr> <th></th> <th>mm</th> <th>inch</th> </tr> </thead> <tbody> <tr> <td><b>DCV 50</b></td> <td>115</td> <td>4.52</td> </tr> <tr> <td><b>DCV 80</b></td> <td>135</td> <td>5.31</td> </tr> <tr> <td><b>DCV MG</b></td> <td>147</td> <td>5.78</td> </tr> </tbody> </table>		A			mm	inch	<b>DCV 50</b>	115	4.52	<b>DCV 80</b>	135	5.31	<b>DCV MG</b>	147	5.78															
	A																															
	mm	inch																														
<b>DCV 50</b>	115	4.52																														
<b>DCV 80</b>	135	5.31																														
<b>DCV MG</b>	147	5.78																														
<b>D30</b> <b>DA30</b> <i>(1)</i>	Spool stroke adjustment in "a" 	<table border="1"> <thead> <tr> <th></th> <th colspan="2">A</th> </tr> <tr> <th></th> <th>mm</th> <th>inch</th> </tr> </thead> <tbody> <tr> <td><b>DCV 30</b></td> <td>57</td> <td>2.24</td> </tr> <tr> <td><b>DCV 50</b></td> <td>62</td> <td>2.44</td> </tr> <tr> <td><b>DCV 80</b></td> <td>77</td> <td>3.03</td> </tr> <tr> <td><b>DCV MG</b></td> <td>86</td> <td>3.39</td> </tr> </tbody> </table>		A			mm	inch	<b>DCV 30</b>	57	2.24	<b>DCV 50</b>	62	2.44	<b>DCV 80</b>	77	3.03	<b>DCV MG</b>	86	3.39												
	A																															
	mm	inch																														
<b>DCV 30</b>	57	2.24																														
<b>DCV 50</b>	62	2.44																														
<b>DCV 80</b>	77	3.03																														
<b>DCV MG</b>	86	3.39																														
<b>D40</b> <i>(2)</i>	Flexible cable control <i>(2)</i> 	<table border="1"> <thead> <tr> <th></th> <th colspan="2">A</th> <th colspan="2">B</th> </tr> <tr> <th></th> <th>mm</th> <th>inch</th> <th>mm</th> <th>inch</th> </tr> </thead> <tbody> <tr> <td><b>DCV 30</b></td> <td>81</td> <td>3.19</td> <td><i>(2)</i></td> <td><i>(2)</i></td> </tr> <tr> <td><b>DCV 50</b></td> <td>93</td> <td>3.66</td> <td><i>(2)</i></td> <td><i>(2)</i></td> </tr> <tr> <td><b>DCV 80</b></td> <td>108</td> <td>4.25</td> <td><i>(2)</i></td> <td><i>(2)</i></td> </tr> <tr> <td><b>DCV MG</b></td> <td>134</td> <td>5.28</td> <td><i>(2)</i></td> <td><i>(2)</i></td> </tr> </tbody> </table>		A		B			mm	inch	mm	inch	<b>DCV 30</b>	81	3.19	<i>(2)</i>	<i>(2)</i>	<b>DCV 50</b>	93	3.66	<i>(2)</i>	<i>(2)</i>	<b>DCV 80</b>	108	4.25	<i>(2)</i>	<i>(2)</i>	<b>DCV MG</b>	134	5.28	<i>(2)</i>	<i>(2)</i>
	A		B																													
	mm	inch	mm	inch																												
<b>DCV 30</b>	81	3.19	<i>(2)</i>	<i>(2)</i>																												
<b>DCV 50</b>	93	3.66	<i>(2)</i>	<i>(2)</i>																												
<b>DCV 80</b>	108	4.25	<i>(2)</i>	<i>(2)</i>																												
<b>DCV MG</b>	134	5.28	<i>(2)</i>	<i>(2)</i>																												

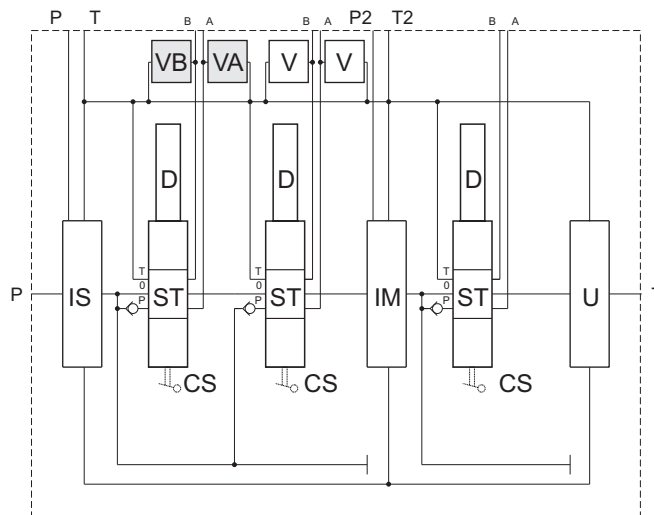
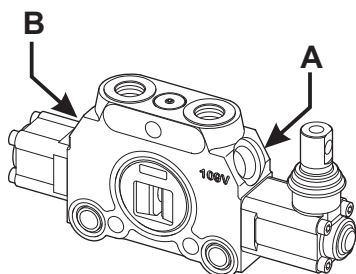
(1) **DA.** = Aluminium version (only DCV50 - DCV80)

(2) Cable supplied on request. Length cable and control, contact our commercial dept

**MODULAR**

Service port valves predisposition  
(standard for DCV80 and DCVMG, optional for DCV30 and DCV50)

DCV \*\* / \* | \* \*\*\* (\*\*\*) \* F\* ST\*\* CS\*\* D\*\* **VA\*\*(\*\*) VB\*\*(\*\*) AP\* F\* W\* Xn IM\* F\* .. U\* F\***



MODULAR

**VA\* VB\*** Service port valves <sup>(2)</sup>

<b>VA1</b> <sup>(1)</sup>	Overload valve in position "A"	
<b>VA2</b>	Anti-cavitation "A" port	
<b>VA3</b> <sup>(1)</sup>	Combined valve in "A" port	
<b>VA4</b>	Prearranged for auxiliary valve in "A" with plug	

<b>VB1</b> <sup>(1)</sup>	Overload valve in position "B"	
<b>VB2</b>	Anti-cavitation "B" port	
<b>VB3</b> <sup>(1)</sup>	Combined valve in "B" port	
<b>VB4</b>	Prearranged for auxiliary valve in "B" with plug	

(1) Specify the setting valve (from 20 to 350 bar). In the order it is suggested specify the flow rate.  
(2) Standard predisposition for DCV80 and DCV MG

Circuit

DCV \*\* / \* | \* \*\*\* (\*\*\*) \* F\* ST\*\* CS\*\* D\*\* VA\*\*(\*\*) VB\*\*(\*\*) **AP\*** F\* W\* Xn IM\* F\* .. U\* F\*

**AP\*** *Circuit*

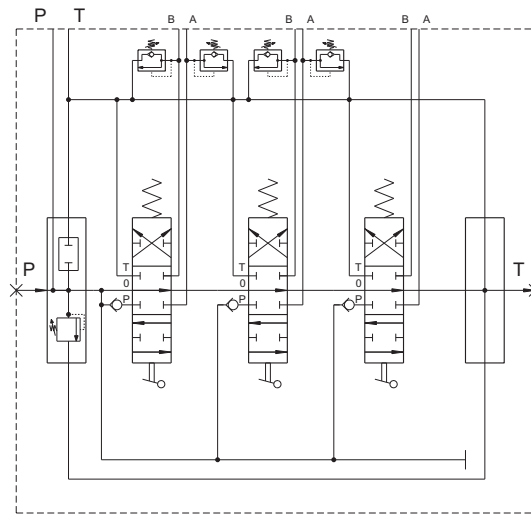
*	Description	Hydraulic circuit
<b>AP1</b>	<p>Parallel circuit (standard). All sections are fed in parallel. The section working with lower pressure has priority over the others; are possible simultaneous movements of two or more functions by reducing the oil flow on the others.</p>	
<b>AP2</b>	<p>Serie circuit (use with spool ST13 - ST14 - ST15 - ST16, see page 39). The oil returning from the actuator of the section SERIES can be used to feed the next working sections allowing the simultaneous handling of multiple sections. Working pressures of the individual sections are added together.</p>	
<b>AP3 + AP32 + AP4</b> <i>(1)</i>	<p>Tandem circuit. It's composed of two or more working sections. The use of a first section (tandem upstream code AP3) has priority over all subsequent (if any other section upstream code AP32 or tandem downstream code AP4), preventing operation even with the spool activated.</p>	

(1) Optional section intermediate into tandem AP3 (upstream) and tandem AP4 (downstream)

**MODULAR**

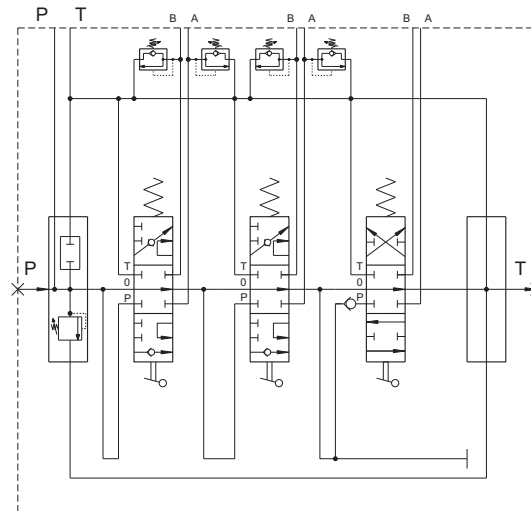
Example **PARALLEL** circuit

AP1 (+ AP1 + AP1)



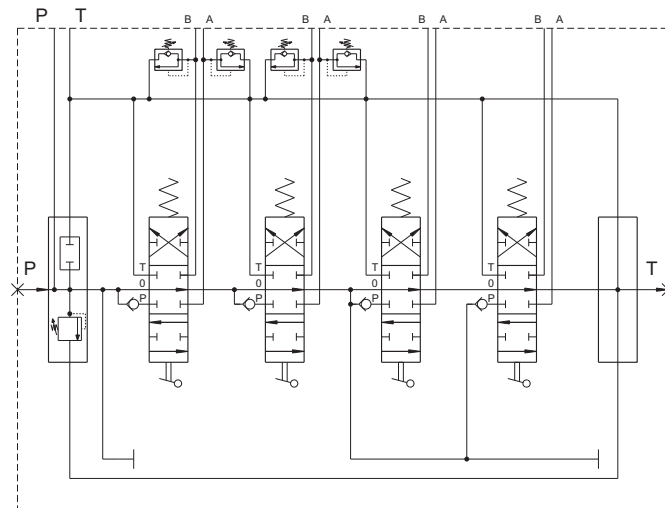
Example **SERIE** circuit

AP2 (+ AP2 + AP1)



Example **TANDEM** circuit

AP3 + AP32 + AP4 (+ AP1)



Threads

DCV \*\* / \* | \* \*\*\* (\*\*\*) \* F\* ST\*\* CS\*\* D\*\* VA\*\*(\*\*) VB\*(\*\*) AP\* **F\*** W\* Xn IM\* F\* .. U\* F\*

## F\* Working sections threads

**	Description	DCV 30 A - B	DCV 50 A - B	DCV 80 A - B	DCV MG A - B
F3	3/8" BSP	•			
F4	1/2" BSP		•	• (1)	
F5	3/4" BSP			•	
F6	1" BSP				•
F31	9/16"-18UNF (SAE 6)	•			
F33	7/8"-14UNF (SAE 10)		•	• (1)	
F34	1" 1/16-12UN (SAE 12)			•	
F36	1" 5/16-12UN (SAE 16)				•

(1) Threads availables on request

MODULAR

Handle lever (Optional field)  
Working section repeated for n. times (optional filed)

DCV \*\* / \* | \* \*\*\* (\*\*\*) \* F\* ST\*\* CS\*\* D\*\* VA\*\*(\*\*) VB\*(\*\*) AP\* F\* **W\*** Xn IM\* F\* .. U\* F\*

## W\* Handle lever

**	Description	Drawing
W1	Standard DCV 30 (For cloche control use W2)	
W2	Standard DCV 50 - DCV 80	
W3	Standard DCV MG	

Circuit

DCV \*\* / \* | \* \*\*\* (\*\*\*) \* F\* ST\*\* CS\*\* D\*\* VA\*\*(\*\*) VB\*\*(\*\*) AP\* F\* W\* Xn **IM\*** F\* .. U\* F\*

**IM\*** *Circuito*

*	Description	Hydraulic circuit																																																						
<b>IME</b>	<p>Intermediate inlet section (valves combination see page 37). It permits an extra flow to downstream sections. It is also usable as intermediate element with a pressure relief valve to limit the pressure of all the downstream sections.</p>																																																							
	<b>DCV30 - DCV50 - DCV80</b>	<b>DCVMG</b>																																																						
	<table border="1"> <thead> <tr> <th></th> <th>A</th> <th>B</th> <th>C</th> <th>D</th> <th>E min</th> <th>E max</th> <th>F</th> <th>P-T</th> </tr> <tr> <th></th> <th>mm [inch]</th> <th>mm [inch]</th> <th>mm [inch]</th> <th>mm [inch]</th> <th>mm [inch]</th> <th>mm [inch]</th> <th>mm [inch]</th> <th></th> </tr> </thead> <tbody> <tr> <td><b>DCV 30</b></td> <td>23 [0.91]</td> <td>23 [0.91]</td> <td>14 [0.55]</td> <td>16 [0.63]</td> <td>63 [2.48]</td> <td>89.5 [3.52]</td> <td>81.5 [3.21]</td> <td>3/8" BSP 9/16" - 18UNF (SAE6)</td> </tr> <tr> <td><b>DCV 50</b></td> <td>26.5 [1.04]</td> <td>26.5 [1.04]</td> <td>17 [0.67]</td> <td>19 [0.75]</td> <td>70 [2.76]</td> <td>95.5 [3.76]</td> <td>97 [3.82]</td> <td>1/2" BSP 7/8" - 14UNF (SAE10)</td> </tr> <tr> <td><b>DCV 80</b></td> <td>22 [0.87]</td> <td>35 [1.38]</td> <td>19 [0.75]</td> <td>21 [0.83]</td> <td>81 [3.19]</td> <td>106.5 [4.19]</td> <td>103 [4.06]</td> <td>3/4" BSP 7/8" - 14UNF (SAE10)</td> </tr> <tr> <td><b>DCVMG</b></td> <td>—</td> <td>—</td> <td>23 [0.91]</td> <td>25.5 [1.00]</td> <td>95 [3.74]</td> <td>116.5 [4.59]</td> <td>116 [4.57]</td> <td>1" BSP 1" 5/16 - 12UN (SAE16)</td> </tr> </tbody> </table>		A	B	C	D	E min	E max	F	P-T		mm [inch]	mm [inch]	mm [inch]	mm [inch]	mm [inch]	mm [inch]	mm [inch]		<b>DCV 30</b>	23 [0.91]	23 [0.91]	14 [0.55]	16 [0.63]	63 [2.48]	89.5 [3.52]	81.5 [3.21]	3/8" BSP 9/16" - 18UNF (SAE6)	<b>DCV 50</b>	26.5 [1.04]	26.5 [1.04]	17 [0.67]	19 [0.75]	70 [2.76]	95.5 [3.76]	97 [3.82]	1/2" BSP 7/8" - 14UNF (SAE10)	<b>DCV 80</b>	22 [0.87]	35 [1.38]	19 [0.75]	21 [0.83]	81 [3.19]	106.5 [4.19]	103 [4.06]	3/4" BSP 7/8" - 14UNF (SAE10)	<b>DCVMG</b>	—	—	23 [0.91]	25.5 [1.00]	95 [3.74]	116.5 [4.59]	116 [4.57]	1" BSP 1" 5/16 - 12UN (SAE16)	
	A	B	C	D	E min	E max	F	P-T																																																
	mm [inch]	mm [inch]	mm [inch]	mm [inch]	mm [inch]	mm [inch]	mm [inch]																																																	
<b>DCV 30</b>	23 [0.91]	23 [0.91]	14 [0.55]	16 [0.63]	63 [2.48]	89.5 [3.52]	81.5 [3.21]	3/8" BSP 9/16" - 18UNF (SAE6)																																																
<b>DCV 50</b>	26.5 [1.04]	26.5 [1.04]	17 [0.67]	19 [0.75]	70 [2.76]	95.5 [3.76]	97 [3.82]	1/2" BSP 7/8" - 14UNF (SAE10)																																																
<b>DCV 80</b>	22 [0.87]	35 [1.38]	19 [0.75]	21 [0.83]	81 [3.19]	106.5 [4.19]	103 [4.06]	3/4" BSP 7/8" - 14UNF (SAE10)																																																
<b>DCVMG</b>	—	—	23 [0.91]	25.5 [1.00]	95 [3.74]	116.5 [4.59]	116 [4.57]	1" BSP 1" 5/16 - 12UN (SAE16)																																																

----- (1) Only DCV30 - DCV50 - DCV80      (2) Only DCVMG

**MODULAR**



**IM\*** *Circuit*

*	Description	Hydraulic circuit																																				
<p><b>IMD (**)</b></p>	<p>Adjustable flow divider, pressure compensated with exceeding flow to tank. In the order specify the setting range (**).</p>																																					
<b>Setting range</b>																																						
<div style="display: flex; justify-content: space-around;"> <div style="text-align: center;"> <p><b>DCV30</b></p> </div> <div style="text-align: center;"> <p><b>DCV50</b></p> </div> <div style="text-align: center;"> <p><b>DCV80</b></p> </div> </div>																																						
<b>DCV30 - DCV50 - DCV80</b>																																						
<table border="1" style="width:100%; border-collapse: collapse;"> <thead> <tr> <th></th> <th><b>X</b> mm [inch]</th> <th><b>Y</b> mm [inch]</th> <th><b>S</b> mm [inch]</th> <th><b>H</b> mm [inch]</th> <th><b>I</b> mm [inch]</th> <th><b>(**)</b></th> <th colspan="2">Setting range (Qr Max) l/min (l)</th> </tr> </thead> <tbody> <tr> <td><b>DCV 30</b></td> <td>51.5 [2.03]</td> <td>63.5 [2.50]</td> <td>32 [1.26]</td> <td>82 [3.23]</td> <td>36.5 [1.44]</td> <td>—</td> <td>6 ÷ 18</td> <td>0 ÷ 24</td> </tr> <tr> <td><b>DCV 50</b></td> <td>58 [2.28]</td> <td>60 [2.35]</td> <td>38 [1.5]</td> <td>108.5 [4.27]</td> <td>38.5 [1.52]</td> <td>—</td> <td>0 ÷ 24</td> <td>—</td> </tr> <tr> <td><b>DCV 80</b></td> <td>80 [3.15]</td> <td>91 [3.58]</td> <td>42 [1.65]</td> <td>105.5 [4.15]</td> <td>51.5 [2.03]</td> <td>0 ÷ 45</td> <td>8 ÷ 16</td> <td>30 ÷ 60</td> </tr> </tbody> </table>				<b>X</b> mm [inch]	<b>Y</b> mm [inch]	<b>S</b> mm [inch]	<b>H</b> mm [inch]	<b>I</b> mm [inch]	<b>(**)</b>	Setting range (Qr Max) l/min (l)		<b>DCV 30</b>	51.5 [2.03]	63.5 [2.50]	32 [1.26]	82 [3.23]	36.5 [1.44]	—	6 ÷ 18	0 ÷ 24	<b>DCV 50</b>	58 [2.28]	60 [2.35]	38 [1.5]	108.5 [4.27]	38.5 [1.52]	—	0 ÷ 24	—	<b>DCV 80</b>	80 [3.15]	91 [3.58]	42 [1.65]	105.5 [4.15]	51.5 [2.03]	0 ÷ 45	8 ÷ 16	30 ÷ 60
	<b>X</b> mm [inch]	<b>Y</b> mm [inch]	<b>S</b> mm [inch]	<b>H</b> mm [inch]	<b>I</b> mm [inch]	<b>(**)</b>	Setting range (Qr Max) l/min (l)																															
<b>DCV 30</b>	51.5 [2.03]	63.5 [2.50]	32 [1.26]	82 [3.23]	36.5 [1.44]	—	6 ÷ 18	0 ÷ 24																														
<b>DCV 50</b>	58 [2.28]	60 [2.35]	38 [1.5]	108.5 [4.27]	38.5 [1.52]	—	0 ÷ 24	—																														
<b>DCV 80</b>	80 [3.15]	91 [3.58]	42 [1.65]	105.5 [4.15]	51.5 [2.03]	0 ÷ 45	8 ÷ 16	30 ÷ 60																														

(1) Others setting ranges, please contact our sales department.

**MODULAR**

**IM\*** Circuit

*	Description																																																						
IMU	<p style="text-align: center;"><b>Hydraulic circuit</b></p> <p>Intermediate outlet section (without exit hole T)</p> <div style="display: flex; justify-content: space-around;"> <div data-bbox="319 940 718 1232"> <p style="text-align: center;"><b>DCV30</b></p> </div> <div data-bbox="798 940 1276 1299"> <p style="text-align: center;"><b>DCV50</b></p> </div> </div> <div style="text-align: center; margin-top: 20px;"> <p><b>DCV80</b></p> </div> <table border="1" style="width: 100%; margin-top: 20px;"> <thead> <tr> <th></th> <th>A</th> <th>C</th> <th>D</th> <th>E</th> <th>F</th> <th>F1</th> <th>G</th> <th>H</th> </tr> <tr> <th></th> <th>mm [inch]</th> <th>mm [inch]</th> <th>mm [inch]</th> <th>mm [inch]</th> <th>mm [inch]</th> <th>mm [inch]</th> <th>mm [inch]</th> <th>mm [inch]</th> </tr> </thead> <tbody> <tr> <td><b>DCV 30</b></td> <td>—</td> <td>—</td> <td>—</td> <td>—</td> <td>—</td> <td>32 [1.26]</td> <td>51.5 [2.03]</td> <td>80.5 [3.17]</td> </tr> <tr> <td><b>DCV 50</b></td> <td>72 [2.83]</td> <td>13.5 [0.53]</td> <td>9 [0.35]</td> <td>17 [0.67]</td> <td>—</td> <td>36.5 [1.44]</td> <td>83 [3.27]</td> <td>97 [3.82]</td> </tr> <tr> <td><b>DCV 80</b></td> <td>85 [3.35]</td> <td>16 [0.63]</td> <td>11 [0.43]</td> <td>19 [0.75]</td> <td>—</td> <td>41 [1.61]</td> <td>95 [3.74]</td> <td>87.5 [3.44]</td> </tr> <tr> <td><b>DCV MG</b></td> <td>—</td> <td>—</td> <td>—</td> <td>23 [0.91]</td> <td>25.5 [1.00]</td> <td>—</td> <td>83 [3.27]</td> <td>116 [4.57]</td> </tr> </tbody> </table>		A	C	D	E	F	F1	G	H		mm [inch]	mm [inch]	mm [inch]	mm [inch]	mm [inch]	mm [inch]	mm [inch]	mm [inch]	<b>DCV 30</b>	—	—	—	—	—	32 [1.26]	51.5 [2.03]	80.5 [3.17]	<b>DCV 50</b>	72 [2.83]	13.5 [0.53]	9 [0.35]	17 [0.67]	—	36.5 [1.44]	83 [3.27]	97 [3.82]	<b>DCV 80</b>	85 [3.35]	16 [0.63]	11 [0.43]	19 [0.75]	—	41 [1.61]	95 [3.74]	87.5 [3.44]	<b>DCV MG</b>	—	—	—	23 [0.91]	25.5 [1.00]	—	83 [3.27]	116 [4.57]
	A	C	D	E	F	F1	G	H																																															
	mm [inch]	mm [inch]	mm [inch]	mm [inch]	mm [inch]	mm [inch]	mm [inch]	mm [inch]																																															
<b>DCV 30</b>	—	—	—	—	—	32 [1.26]	51.5 [2.03]	80.5 [3.17]																																															
<b>DCV 50</b>	72 [2.83]	13.5 [0.53]	9 [0.35]	17 [0.67]	—	36.5 [1.44]	83 [3.27]	97 [3.82]																																															
<b>DCV 80</b>	85 [3.35]	16 [0.63]	11 [0.43]	19 [0.75]	—	41 [1.61]	95 [3.74]	87.5 [3.44]																																															
<b>DCV MG</b>	—	—	—	23 [0.91]	25.5 [1.00]	—	83 [3.27]	116 [4.57]																																															

**MODULAR**

**IM\*** Circuit

*	Description																														
IMU	<p><b>Hydraulic circuit</b></p> <p>Intermediate outlet section threaded (Specify the thread, field F)</p> <div style="display: flex; justify-content: space-around;"> <div style="text-align: center;"> <p><b>DCV30<sup>(1)</sup></b></p> </div> <div style="text-align: center;"> <p><b>DCV50<sup>(1)</sup></b></p> </div> </div> <div style="display: flex; justify-content: space-around; margin-top: 20px;"> <div style="text-align: center;"> <p><b>DCV80<sup>(1)</sup></b></p> </div> <div style="text-align: center;"> <p><b>DCVMG</b></p> </div> </div> <table border="1" style="width: 100%; margin-top: 20px;"> <thead> <tr> <th></th> <th><b>C</b> mm [inch]</th> <th><b>E</b> mm [inch]</th> <th><b>F</b> mm [inch]</th> <th><b>H</b> mm [inch]</th> <th><b>T</b></th> </tr> </thead> <tbody> <tr> <td><b>DCV 30</b></td> <td>23 [0.91]</td> <td>16 [0.63]</td> <td>—</td> <td>81.5 [3.21]</td> <td>1/2" BSP 3/4" - 16UNF (SAE 8)</td> </tr> <tr> <td><b>DCV 50</b></td> <td>37 [1.46]</td> <td>19 [0.75]</td> <td>—</td> <td>97 [3.82]</td> <td>3/4" BSP 1" 1/16 - 12UN (SAE 12)</td> </tr> <tr> <td><b>DCV 80</b></td> <td>—</td> <td>21 [0.83]</td> <td>—</td> <td>115 [4.53]</td> <td>1" BSP 1" 5/16 - 12UN (SAE 16)</td> </tr> <tr> <td><b>DCVMG</b></td> <td>—</td> <td>23 [0.91]</td> <td>25.5 [1.00]</td> <td>116 [4.57]</td> <td>1" BSP 1" 5/16 12UN (SAE16)</td> </tr> </tbody> </table>		<b>C</b> mm [inch]	<b>E</b> mm [inch]	<b>F</b> mm [inch]	<b>H</b> mm [inch]	<b>T</b>	<b>DCV 30</b>	23 [0.91]	16 [0.63]	—	81.5 [3.21]	1/2" BSP 3/4" - 16UNF (SAE 8)	<b>DCV 50</b>	37 [1.46]	19 [0.75]	—	97 [3.82]	3/4" BSP 1" 1/16 - 12UN (SAE 12)	<b>DCV 80</b>	—	21 [0.83]	—	115 [4.53]	1" BSP 1" 5/16 - 12UN (SAE 16)	<b>DCVMG</b>	—	23 [0.91]	25.5 [1.00]	116 [4.57]	1" BSP 1" 5/16 12UN (SAE16)
	<b>C</b> mm [inch]	<b>E</b> mm [inch]	<b>F</b> mm [inch]	<b>H</b> mm [inch]	<b>T</b>																										
<b>DCV 30</b>	23 [0.91]	16 [0.63]	—	81.5 [3.21]	1/2" BSP 3/4" - 16UNF (SAE 8)																										
<b>DCV 50</b>	37 [1.46]	19 [0.75]	—	97 [3.82]	3/4" BSP 1" 1/16 - 12UN (SAE 12)																										
<b>DCV 80</b>	—	21 [0.83]	—	115 [4.53]	1" BSP 1" 5/16 - 12UN (SAE 16)																										
<b>DCVMG</b>	—	23 [0.91]	25.5 [1.00]	116 [4.57]	1" BSP 1" 5/16 12UN (SAE16)																										

**MODULAR**

(1) Work in progress

Threads  
(omit for section: IMD and IMU without thread)

DCV \*\* / \* I\* \*\*\* (\*\*\*) \* F\* ST\*\* CS\*\* D\*\* VA\*\*(\*\*) VB\*(\*\*) AP\* F\* W\* Xn IM\* **F\*** .. U\* F\*

**F\*** *Threads IME intermediate section*

**	Description	DCV 30 P-T	DCV 50 P-T	DCV 80 P-T	DCV MG P-T
<b>F3</b>	3/8" BSP	•			
<b>F4</b>	1/2" BSP		•	• (1)	
<b>F5</b>	3/4" BSP			•	
<b>F6</b>	1" BSP				•
<b>F31</b>	9/16"-18UNF (SAE 6)	•			
<b>F33</b>	7/8"-14UNF (SAE 10)		•	•	
<b>F36</b>	1" 5/16-12UN (SAE 16)				•

(1) Threads availables on request

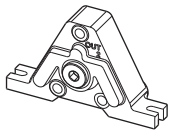
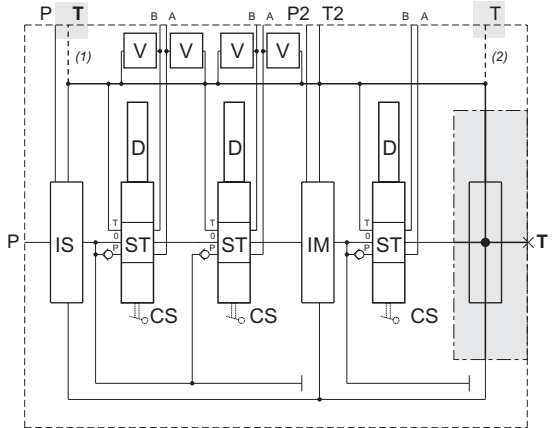
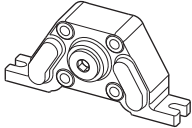
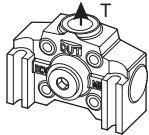
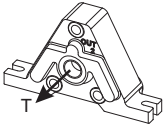
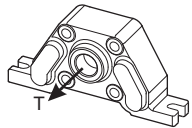
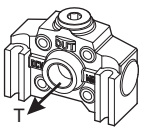
**F\*** *Threads IMU intermediate section*

**	Description	DCV 30 T	DCV 50 T	DCV 80 T	DCV MG T
<b>F4</b>	1/2" BSP	•			
<b>F5</b>	3/4" BSP		•		
<b>F6</b>	1" BSP			•	•
<b>F32</b>	3/4" - 16UNF (SAE 8)	•			
<b>F34</b>	1" 1/16 - 12UN (SAE 12)		•		
<b>F36</b>	1" 5/16 - 12UN (SAE 16)			•	•

Outlet section

DCV \*\* / \* I\* \*\*\* (\*\*\*) \* F\* ST\*\* CS\*\* D\*\* VA\*(\*\*) VB\*(\*\*) AP\* F\* W\* Xn IM\* F\* .. **U\*** F\*

**U\*** Circuit

*	Description	Type	Hydraulic circuit
<b>US</b>	Outlet section with upper T port on the inlet section	<b>DCV 30 / DCV 50</b> 	
		<b>DCV 80</b> 	
	Outlet section with upper T port	<b>DCV MG</b> 	
<b>UL</b>	Outlet section with lateral T port	<b>DCV 30 / DCV 50</b> 	
		<b>DCV 80</b> 	
	Outlet section with lateral T port	<b>DCV MG</b> 	

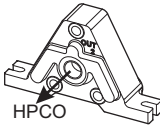
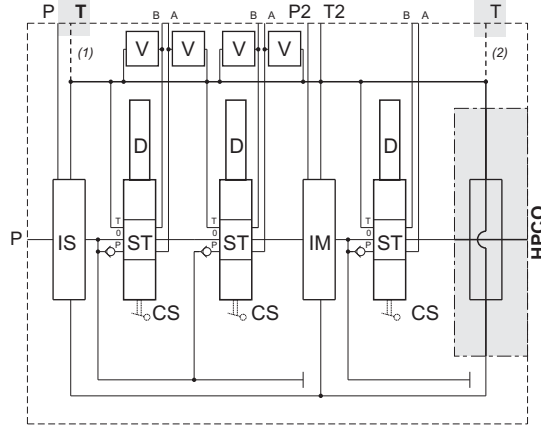
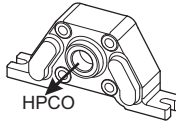
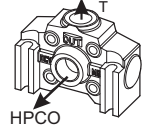
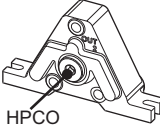
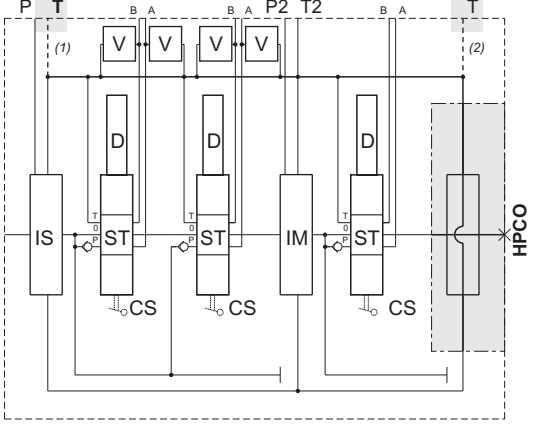
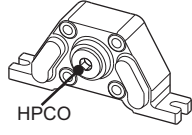
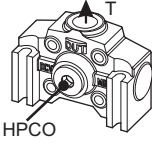
----- (1) Only DCV30 - DCV50 - DCV80      (2) Only DCV MG

**MODULAR**

# Outlet sections

MODULAR

**U\*** *Circuit*

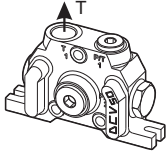
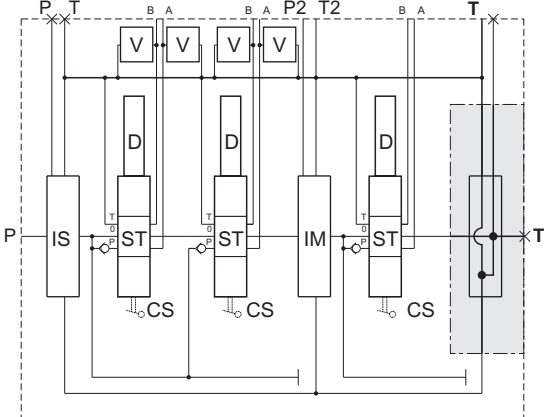
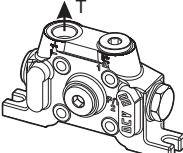
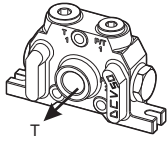
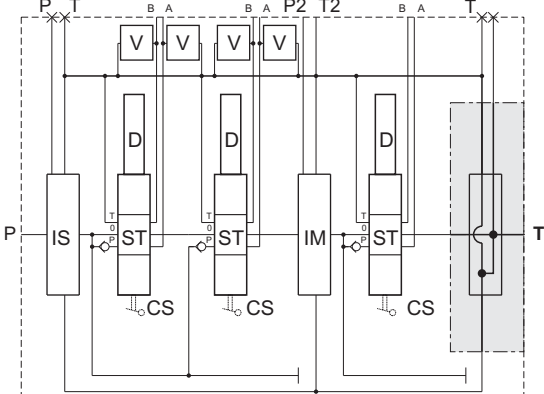
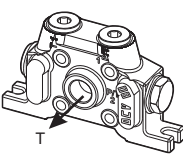
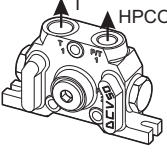
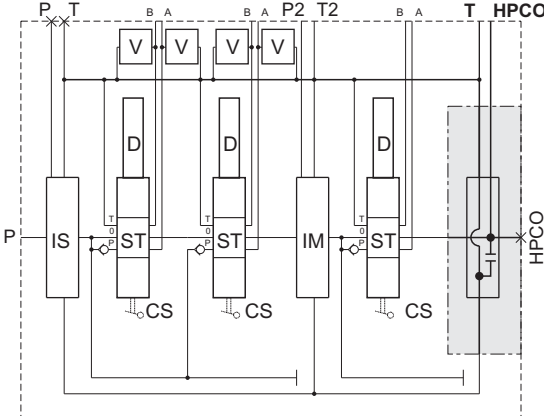
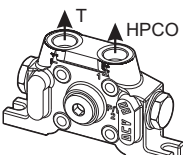
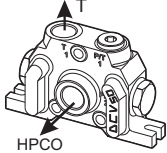
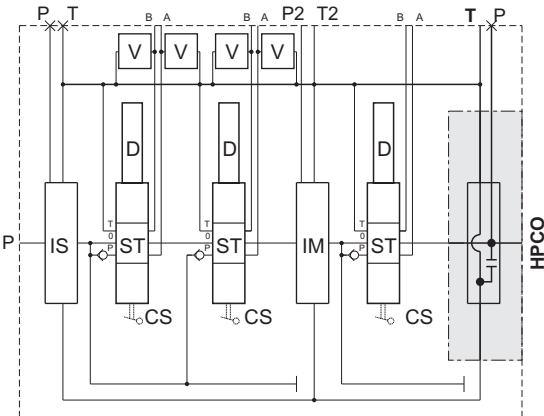
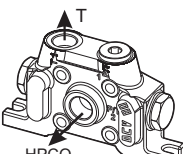
*	Description	Type	Hydraulic circuit
UL2	Outlet section with lateral HPCO port and T port on the inlet section	<b>DCV 30 / DCV 50</b> 	
		<b>DCV 80</b> 	
	Outlet section with lateral HPCO port and upper T port	<b>DCV MG</b> 	
UL2C	Outlet section for center closed (HPCO port closed). T port on the inlet section.	<b>DCV 30 / DCV 50</b> 	
		<b>DCV 80</b> 	
	Outlet section for center closed (HPCO port closed). Upper T port	<b>DCV MG</b> 	

----- (1) Only DCV30 - DCV50 - DCV80 (2) Only DCVMG

# Outlet sections

*in progress*<sup>(1)</sup>

**U\*** *Circuit*

*	Description	Type	Hydraulic circuit
<b>UB</b> <i>(1)</i>	Outlet section with upper T port	<b>DCV 30 / DCV 50</b> 	
		<b>DCV 80</b> 	
<b>UC</b> <i>(1)</i>	Outlet section with lateral T port	<b>DCV 30 / DCV 50</b> 	
		<b>DCV 80</b> 	
<b>UB2</b> <i>(1)</i>	Outlet section with T and HPCO upper ports	<b>DCV 30 / DCV 50</b> 	
		<b>DCV 80</b> 	
<b>UC2</b> <i>(1)</i>	Outlet section with upper T port and HPCO lateral port	<b>DCV 30 / DCV 50</b> 	
		<b>DCV 80</b> 	

(1) Work in progress

**MODULAR**

# Outlet sections

*in progress<sup>(1)</sup>*

Threads

DCV \*\* / \* I\* \*\*\* (\*\*\*) \* F\* ST\*\* CS\*\* D\*\* VA\*\*(\*\*) VB\*\*(\*\*) AP\* F\* W\* Xn IM\* F\* .. U\* **F\***

**F\*** *Outlet section threads*

Tipo	Outlet sections US - UL		Outlet section UL2			Outlet sections UB - UC <sup>(1)</sup>		Outlet section UB2 <sup>(1)</sup>			Outlet section UC2 <sup>(1)</sup>		
	**	T	**	T	HPCO	**	T	**	T	HPCO	**	T	HPCO
<b>DCV 30</b>	<b>F3</b>	3/8" BSP	<b>F3</b>	3/8" BSP	3/8" BSP	<b>F4</b>	1/2" BSP	<b>F40</b>	1/2" BSP	3/8" BSP	<b>F4</b>	1/2" BSP	1/2" BSP
	<b>F31</b>	9/16" - 18UNF (SAE 6)	<b>F31</b>	9/16" - 18UNF (SAE 6)	9/16" - 18UNF (SAE 6)	<b>F32</b>	3/4" - 16UNF (SAE 8)	<b>F50</b>	3/4" - 16UNF (SAE 8)	9/16" - 18UNF (SAE 6)	<b>F32</b>	3/4" - 16UNF (SAE 8)	3/4" - 16UNF (SAE 8)
<b>DCV 50</b>	<b>F4</b>	1/2" BSP	<b>F4</b>	1/2" BSP	1/2" BSP	<b>F5</b>	3/4" BSP	<b>F41</b>	3/4" BSP	1/2" BSP	<b>F5</b>	3/4" BSP	3/4" BSP
	<b>F33</b>	7/8" - 14UNF (SAE 10)	<b>F33</b>	7/8" - 14UNF (SAE 10)	7/8" - 14UNF (SAE 10)	<b>F34</b>	1" 1/16 - 12UN (SAE 12)	<b>F51</b>	1" 1/16 - 12UN (SAE 12)	7/8" - 14UNF (SAE 10)	<b>F34</b>	1" 1/16 - 12UN (SAE 12)	1" 1/16 - 12UN (SAE 12)
<b>DCV 80</b>	<b>F5</b>	3/4" BSP <sup>(2)</sup>	<b>F5</b>	3/4" BSP <sup>(2)</sup>	3/4" BSP	<b>F5</b>	3/4" BSP	<b>F5</b>	3/4" BSP	3/4" BSP	<b>F5</b>	3/4" BSP	3/4" BSP
	<b>F34</b>	1" 1/16 - 12UN (SAE 12) <sup>(2)</sup>	<b>F34</b>	1" 1/16 - 12UN (SAE 12) <sup>(2)</sup>	1" 1/16 - 12UN (SAE 12)	<b>F34</b>	1" 1/16 - 12UN (SAE 12)	<b>F34</b>	1" 1/16 - 12UN (SAE 12)	1" 1/16 - 12UN (SAE 12)	<b>F34</b>	1" 1/16 - 12UN (SAE 12)	1" 1/16 - 12UN (SAE 12)
<b>DCV MG</b>	<b>F6</b>	1" BSP	<b>F6</b>	1" BSP	1" BSP								
	<b>F36</b>	1" 5/16 - 12UN (SAE 16)	<b>F36</b>	1" 5/16 - 12UN (SAE 16)	1" 5/16 - 12UN (SAE 16)								

(1) Work in progress  
(2) Threads availables on request

**MODULAR**



# Note







**BREVINI<sup>®</sup>**

*Motion Systems*

Code DOC00066 - Rev.05

**Dana Brevini S.p.A.**

Via Luciano Brevini 1/a  
42124 Reggio Emilia

Tel. +39 0522 270711

Fax +39 0522 270660

[www.dana.com/brevini](http://www.dana.com/brevini)

[info@brevinifluidpower.com](mailto:info@brevinifluidpower.com)

