

GENERAL CATALOGUE



HAND PUMPS
HYDRAULIC COMPONENTS

- hand pumps ::
- foot pumps ::
- levers for hand pumps ::
- steel oil tanks ::
- flow dividers ::
- flow inverters ::
- valves ::



HV Hydraulic S.r.l.

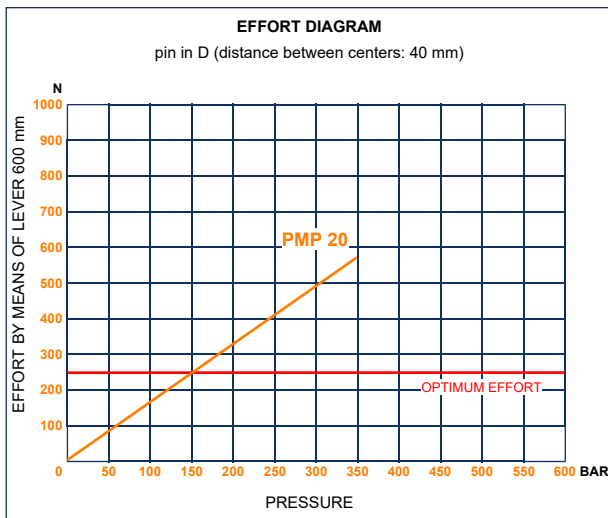
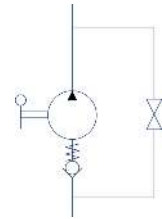
Via dell'Agricoltura, 162
Loc. Castello di Serravalle
40053 Valsamoggia (BO)
Italy

Tel. +39 051 670.50.11 - Fax +39 051 670.53.74
www.hvhydraulic.com - info@hvhydraulic.com



PMP 20 s

with release hand knob
double acting hand pump for single acting cylinder
for fixing to wall



Specifications:

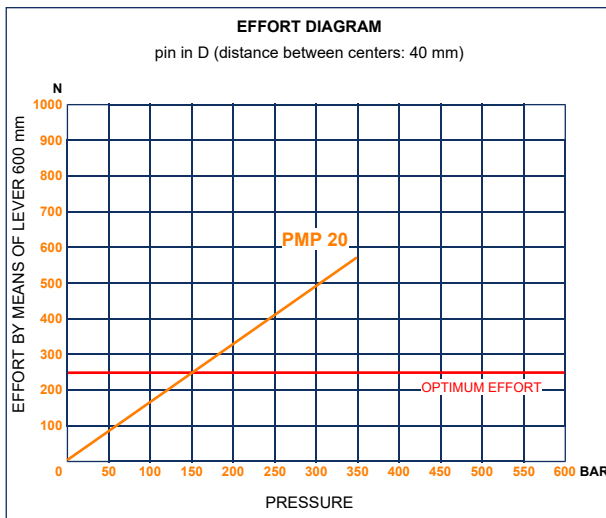
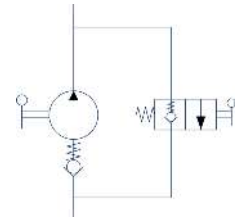
- Cast iron body
- Piston treated with Niploy
- White zinc plated support lever
- Lever connection Ø 27
- White zinc plated external parts
- Standard colour black

DISPLACEMENT cm ³	A mm	B mm	C mm	D °	E °	ACTUAL DISPLACEMENT cm ³	PRESSURE BAR		MASS KG	CODE WITHOUT BELLOWS	CODE WITH BELLOWS
							OPTIMAL	MAX			
20	--	--	--	32	30	20,090	150	350	2,650	6074.0054	6074.0059



PMP 20 m-s

with normally closed manipulator
double acting hand pump for single acting cylinder
for fixing to wall



Specifications:

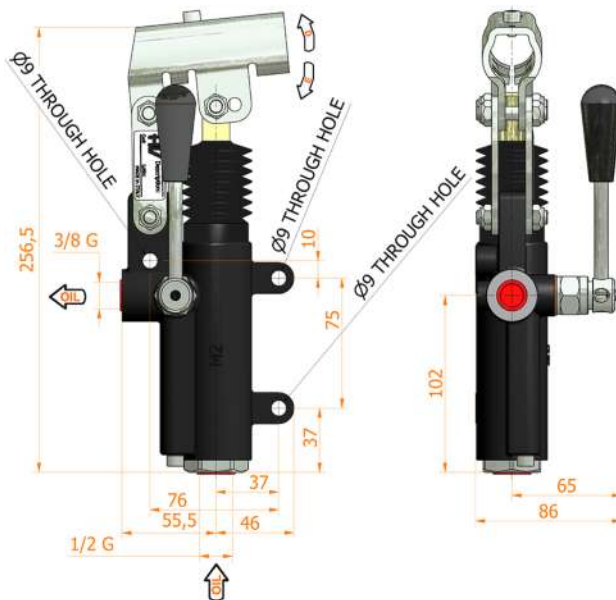
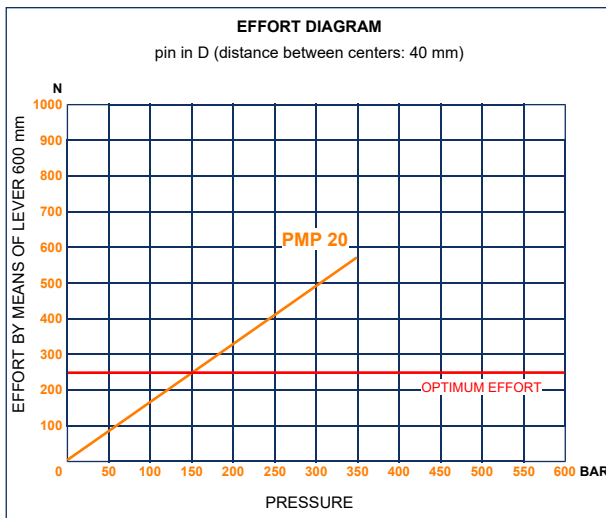
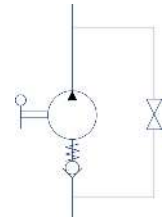
- Cast iron body
- Piston treated with Niploy
- White zinc plated support lever
- Lever connection Ø 27
- White zinc plated external parts
- Standard colour black

DISPLACEMENT cm ³	A mm	B mm	C mm	D °	E °	ACTUAL DISPLACEMENT cm ³	PRESSURE BAR		MASS KG	CODE WITHOUT BELLOWS	CODE WITH BELLOWS
							OPTIMAL	MAX			
20	--	--	--	32	30	20,090	150	350	2,650	6074.0056	6074.0061



PMP 20 L-s

with release lever
double acting hand pump for single acting cylinder
for fixing to wall



Specifications:

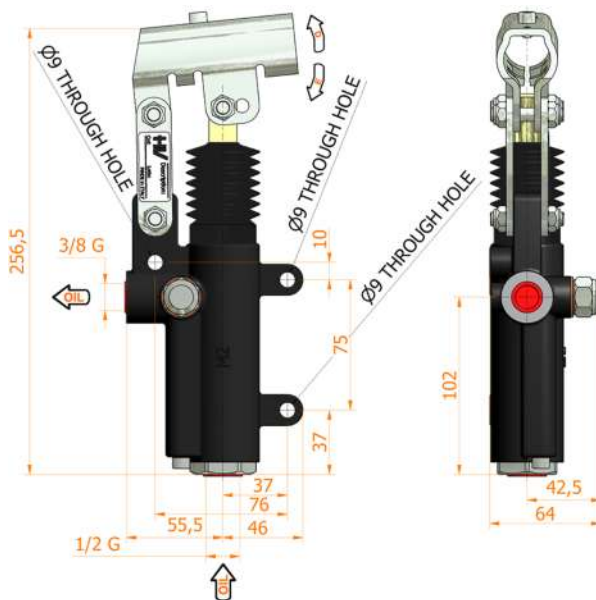
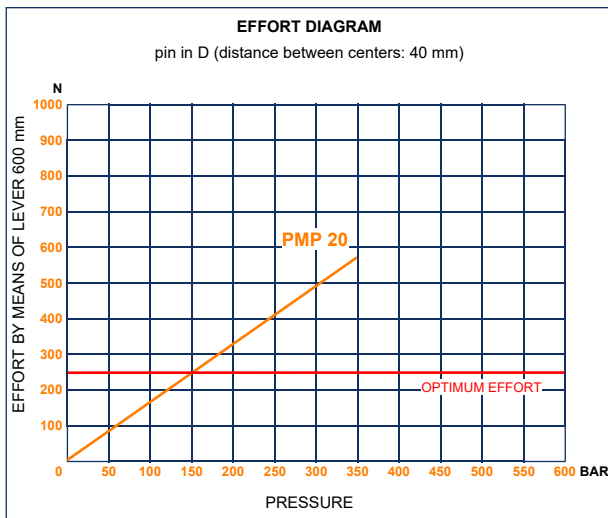
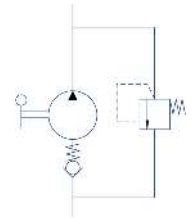
- Cast iron body
- Piston treated with Niploy
- White zinc plated support lever
- Lever connection $\varnothing 27$
- White zinc plated external parts
- Standard colour black

DISPLACEMENT cm ³	A mm	B mm	C mm	D °	E °	ACTUAL DISPLACEMENT cm ³	PRESSURE BAR		MASS KG	CODE WITHOUT BELLOWS	CODE WITH BELLOWS
							OPTIMAL	MAX			
20	--	--	--	32	30	20,090	150	350	2,650	6074.0057	6074.0062



PMP 20 byB-e-s

without release hand knob
with pressure relief valve
double acting hand pump for single acting cylinder
for fixing to wall



Specifications:

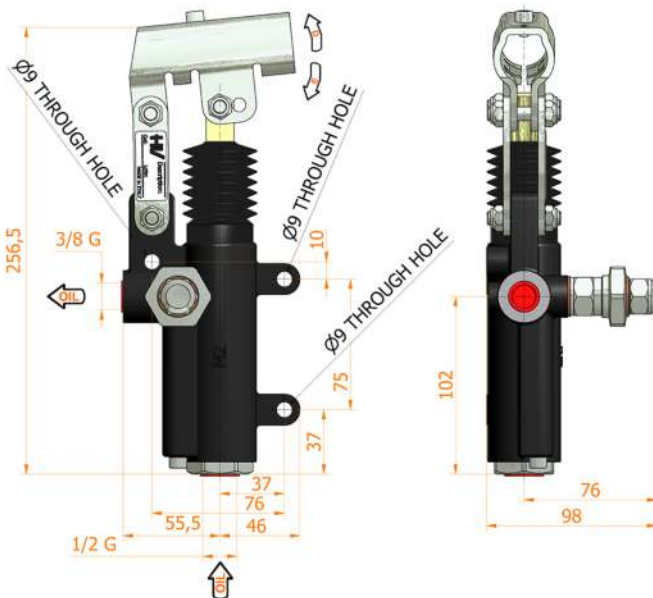
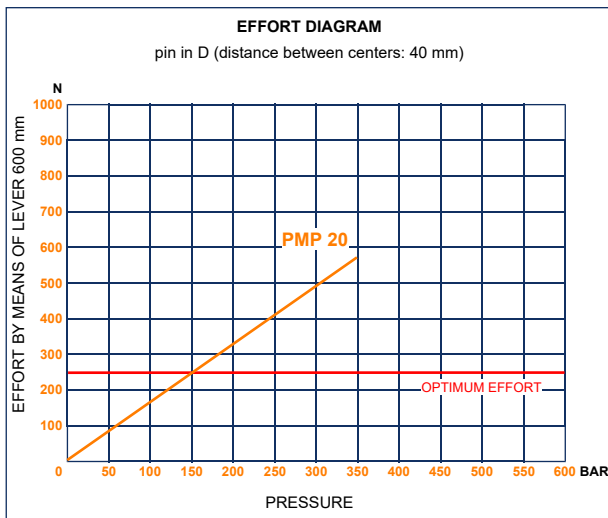
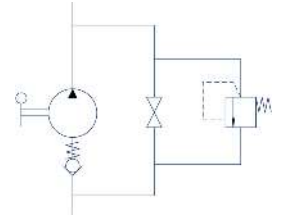
- Cast iron body
- Piston treated with Niploy
- White zinc plated support lever
- Lever connection Ø 27
- White zinc plated external parts
- Standard colour black
- Pressure relief valve standard setting: 100 bar

DISPLACEMENT cm ³	A mm	B mm	C mm	D °	E °	ACTUAL DISPLACEMENT cm ³	PRESSURE BAR		MASS KG	CODE WITHOUT BELLOWS	CODE WITH BELLOWS
							OPTIMAL	MAX			
20	--	--	--	32	30	20,090	150	350	2,650	6074.0058	6074.0063



PMP 20 byB-s

with release hand knob
with pressure relief valve
double acting hand pump for single acting cylinder
for fixing to wall



Specifications:

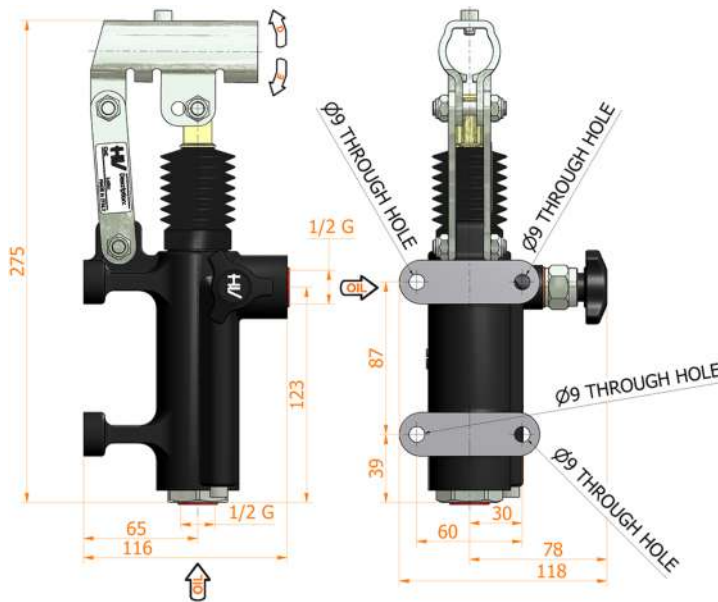
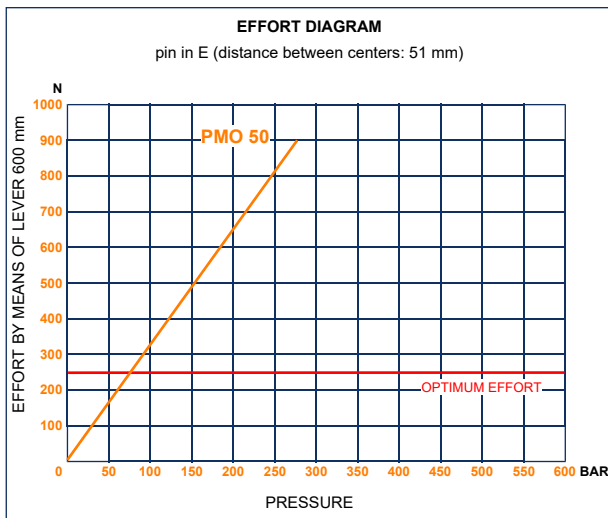
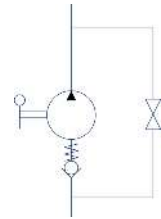
- Cast iron body
- Piston treated with Niploy
- White zinc plated support lever
- Lever connection Ø 27
- White zinc plated external parts
- Standard colour black
- Pressure relief valve standard setting: 100 bar

DISPLACEMENT cm ³	A mm	B mm	C mm	D °	E °	ACTUAL DISPLACEMENT cm ³	PRESSURE BAR		MASS KG	CODE WITHOUT BELLOWS	CODE WITH BELLOWS
							OPTIMAL	MAX			
20	--	--	--	32	30	20,090	150	350	2,650	6074.0064	6074.0065



PMO 50 s

with release hand knob
double acting hand pump for single acting cylinder
for fixing to wall



Specifications:

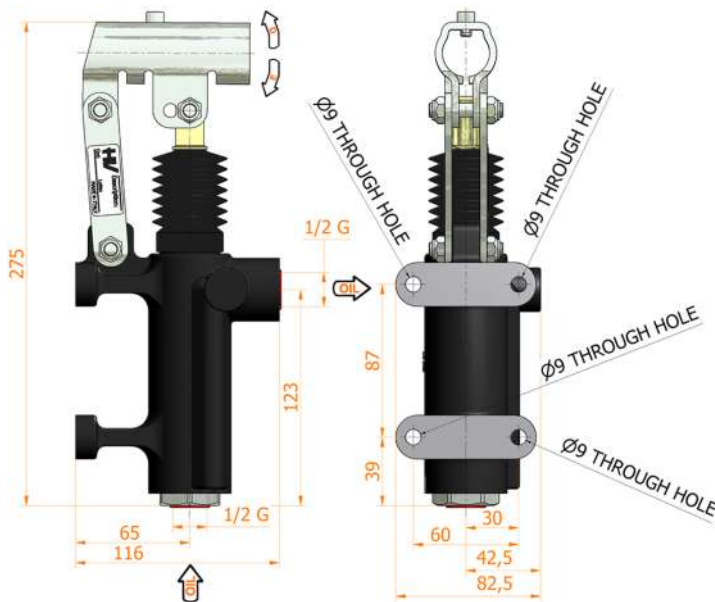
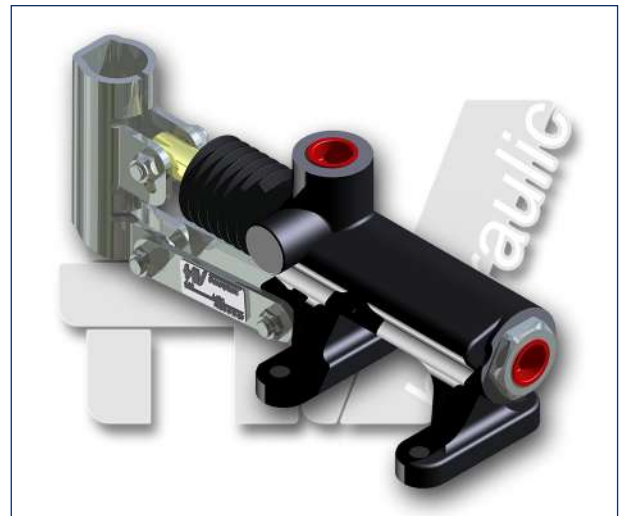
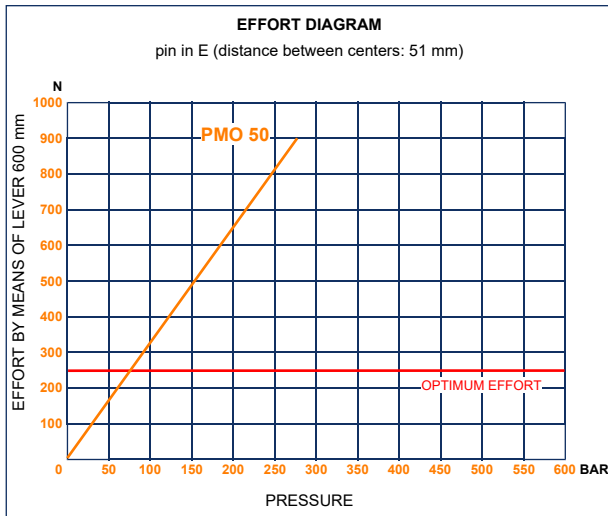
- Cast iron body
- Piston treated with Niploy
- White zinc plated support lever
- Lever connection Ø 27
- White zinc plated external parts
- Standard colour black

DISPLACEMENT cm ³	A mm	B mm	C mm	D °	E °	ACTUAL DISPLACEMENT cm ³	PRESSURE BAR		MASS KG	CODE WITHOUT BELLOWS	CODE WITH BELLOWS
							OPTIMAL	MAX			
50	--	--	--	38	37	43,825	80	280	3,400	6077.0005	6077.0032



PMO 50 e-s

without release hand knob
double acting hand pump for single acting cylinder
for fixing to wall



Specifications:

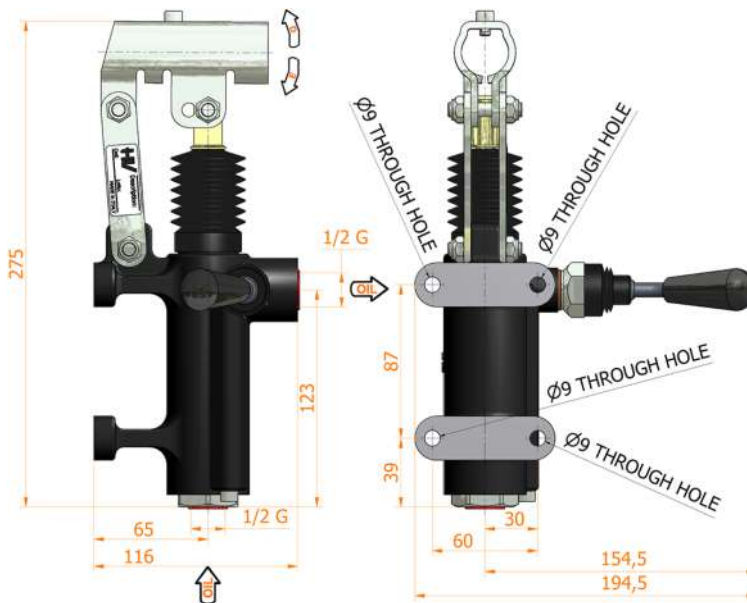
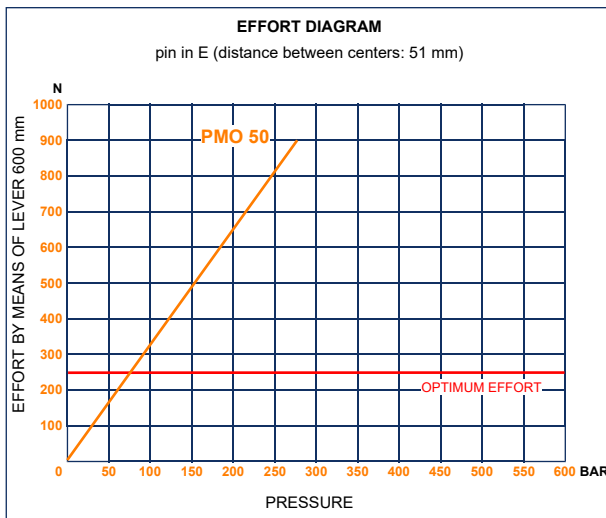
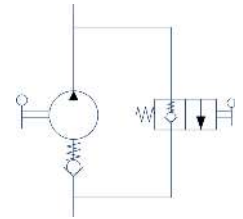
- Cast iron body
- Piston treated with Niploy
- White zinc plated support lever
- Lever connection Ø 27
- White zinc plated external parts
- Standard colour black

DISPLACEMENT cm ³	A mm	B mm	C mm	D °	E °	ACTUAL DISPLACEMENT cm ³	PRESSURE BAR		MASS KG	CODE WITHOUT BELLOWS	CODE WITH BELLOWS
							OPTIMAL	MAX			
50	--	--	--	38	37	43,825	80	280	3,400	6077.0006	6077.0033



PMO 50 m-s

with normally closed manipulator
double acting hand pump for single acting cylinder
for fixing to wall



Specifications:

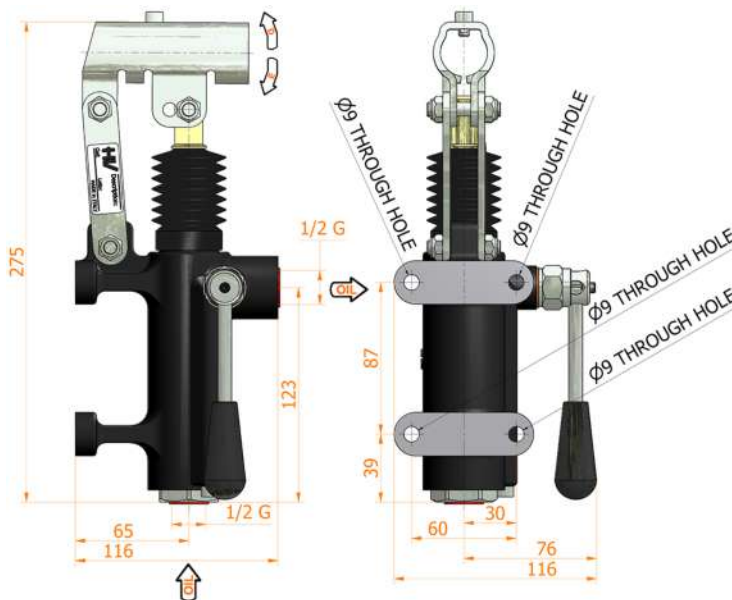
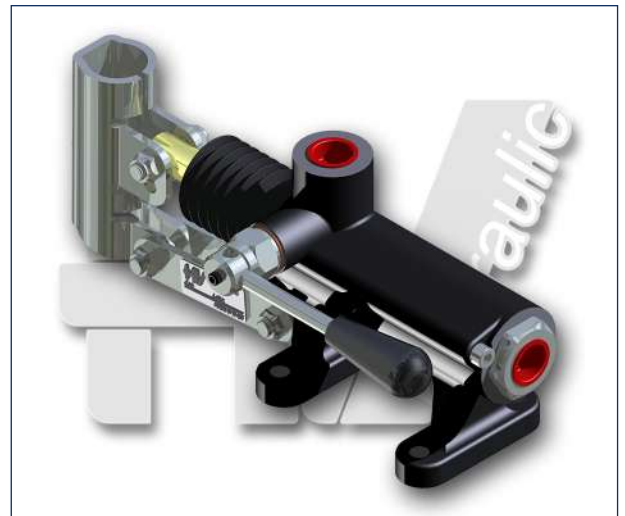
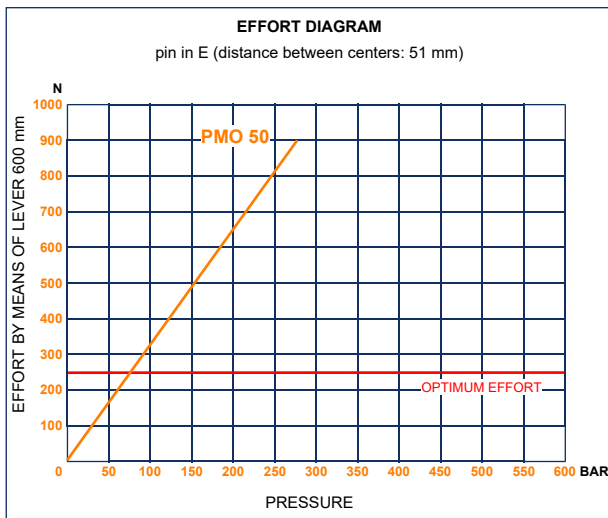
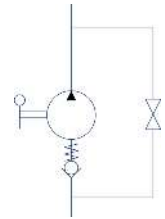
- Cast iron body
- Piston treated with Niploy
- White zinc plated support lever
- Lever connection $\varnothing 27$
- White zinc plated external parts
- Standard colour black

DISPLACEMENT cm ³	A mm	B mm	C mm	D °	E °	ACTUAL DISPLACEMENT cm ³	PRESSURE BAR		MASS KG	CODE WITHOUT BELLOWS	CODE WITH BELLOWS
							OPTIMAL	MAX			
50	--	--	--	38	37	43,825	80	280	3,400	6077.0007	6077.0034



PMO 50 L-s

with release lever
double acting hand pump for single acting cylinder
for fixing to wall



Specifications:

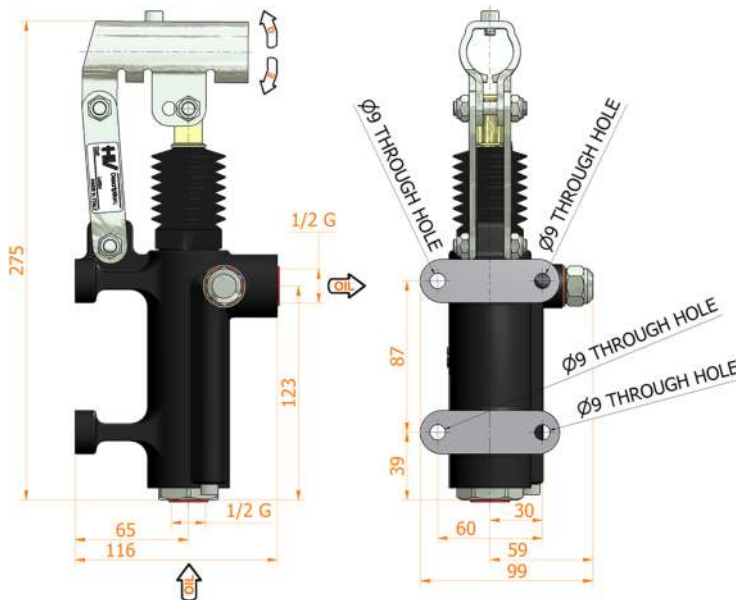
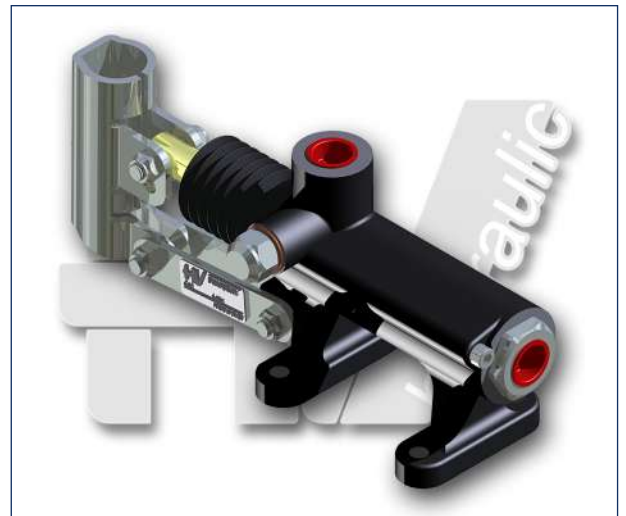
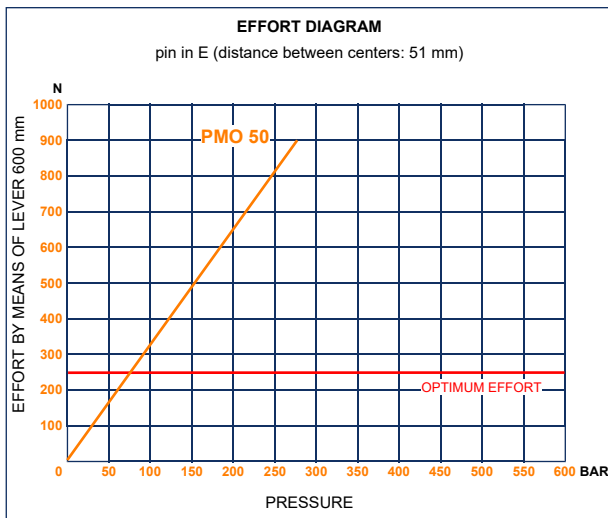
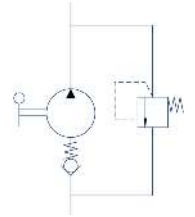
- Cast iron body
- Piston treated with Niploy
- White zinc plated support lever
- Lever connection Ø 27
- White zinc plated external parts
- Standard colour black

DISPLACEMENT cm ³	A mm	B mm	C mm	D °	E °	ACTUAL DISPLACEMENT cm ³	PRESSURE BAR		MASS KG	CODE WITHOUT BELLOWS	CODE WITH BELLOWS
							OPTIMAL	MAX			
50	--	--	--	38	37	43,825	80	280	3,400	6077.0008	6077.0035



PMO 50 byB-e-s

without release hand knob
with pressure relief valve
double acting hand pump for single acting cylinder
for fixing to wall



Specifications:

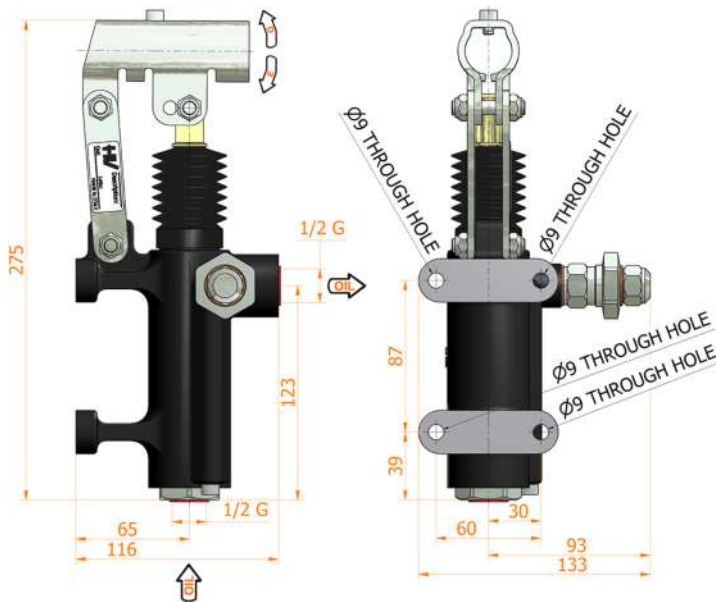
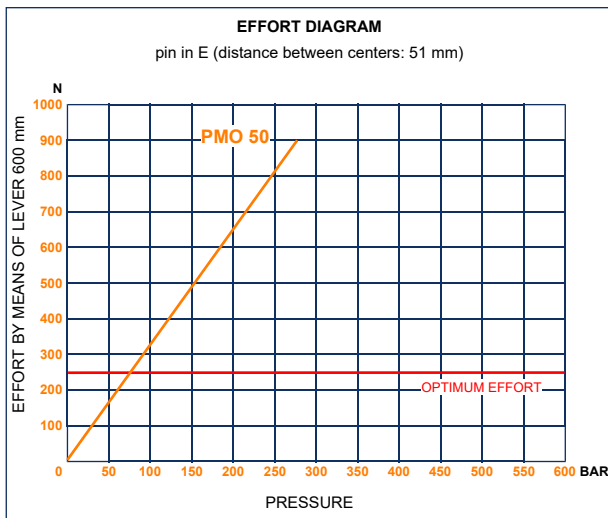
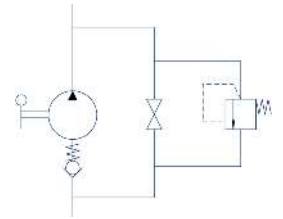
- Cast iron body
- Piston treated with Niploy
- White zinc plated support lever
- Lever connection Ø 27
- White zinc plated external parts
- Standard colour black
- Pressure relief valve standard setting: 100 bar

DISPLACEMENT cm ³	A mm	B mm	C mm	D °	E °	ACTUAL DISPLACEMENT cm ³	PRESSURE BAR		MASS KG	CODE WITHOUT BELLOWS	CODE WITH BELLOWS
							OPTIMAL	MAX			
50	--	--	--	38	37	43,825	80	280	3,400	6077.0009	6077.0036



PMO 50 byB-s

with release hand knob
with pressure relief valve
double acting hand pump for single acting cylinder
for fixing to wall



Specifications:

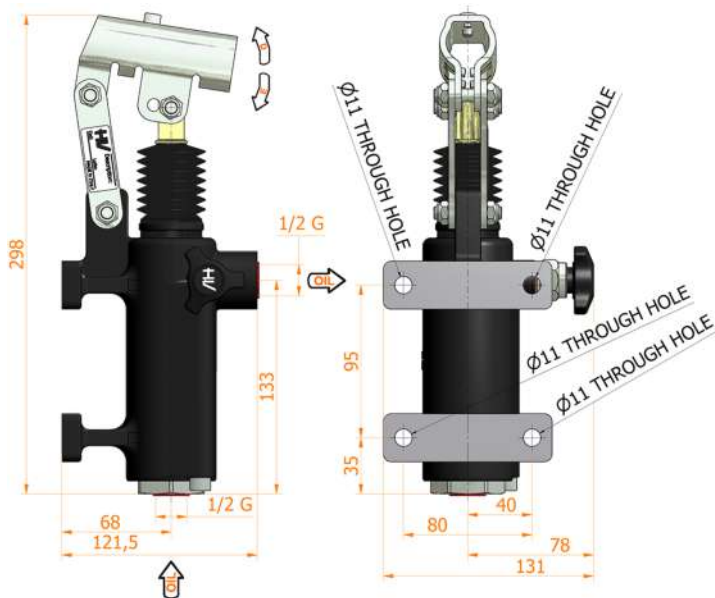
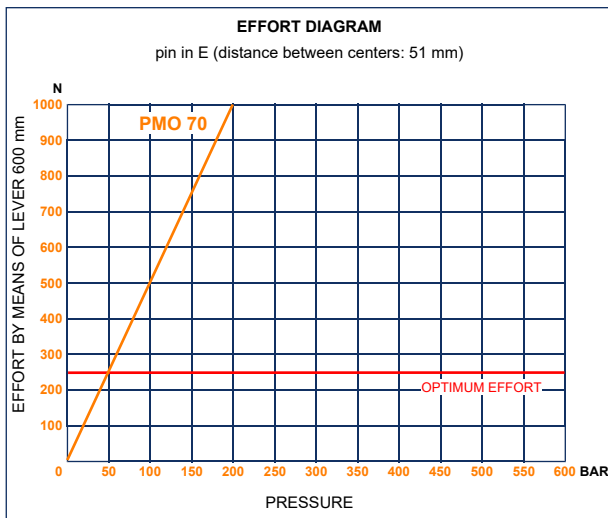
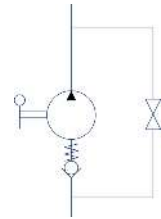
- Cast iron body
- Piston treated with Niploy
- White zinc plated support lever
- Lever connection $\varnothing 27$
- White zinc plated external parts
- Standard colour black
- Pressure relief valve standard setting: 100 bar

DISPLACEMENT cm ³	A mm	B mm	C mm	D °	E °	ACTUAL DISPLACEMENT cm ³	PRESSURE BAR		MASS KG	CODE WITHOUT BELLOWS	CODE WITH BELLOWS
							OPTIMAL	MAX			
50	--	--	--	38	37	43,825	80	280	3,400	6077.0010	6077.0037



PMO 70 s

with release hand knob
double acting hand pump for single acting cylinder
for fixing to wall



Specifications:

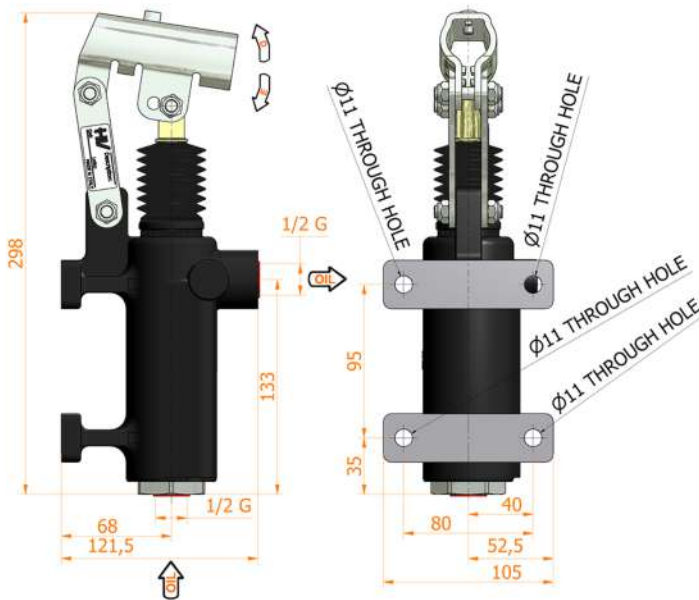
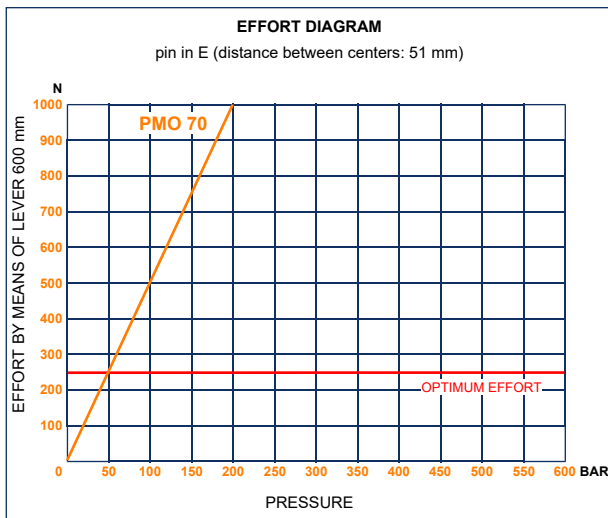
- Cast iron body
- Piston treated with Niploy
- White zinc plated support lever
- Lever connection Ø 27
- White zinc plated external parts
- Standard colour black

DISPLACEMENT cm ³	A mm	B mm	C mm	D °	E °	ACTUAL DISPLACEMENT cm ³	PRESSURE BAR		MASS KG	CODE WITHOUT BELLOWS	CODE WITH BELLOWS
							OPTIMAL	MAX			
70	--	--	--	45	40	70,233	50	200	5,100	6079.0005	6079.0032



PMO 70 e-s

without release hand knob
double acting hand pump for single acting cylinder
for fixing to wall



Specifications:

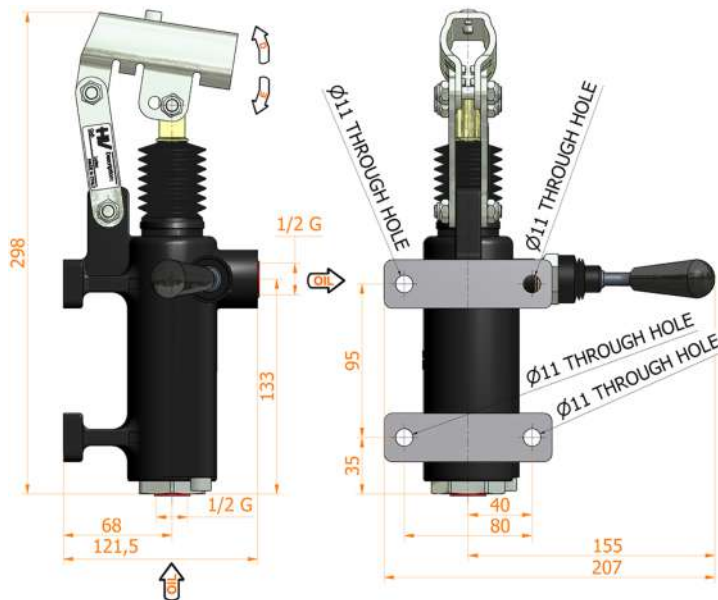
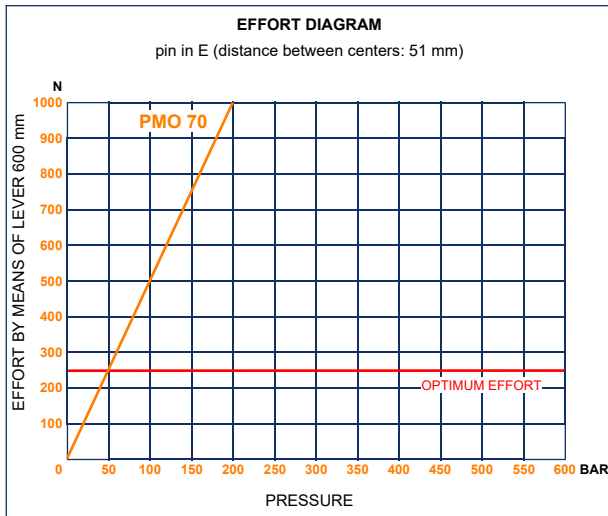
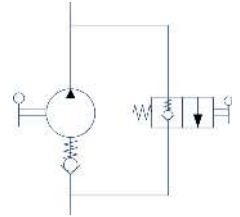
- Cast iron body
- Piston treated with Niploy
- White zinc plated support lever
- Lever connection Ø 27
- White zinc plated external parts
- Standard colour black

DISPLACEMENT cm ³	A mm	B mm	C mm	D °	E °	ACTUAL DISPLACEMENT cm ³	PRESSURE BAR		MASS KG	CODE WITHOUT BELLOWS	CODE WITH BELLOWS
							OPTIMAL	MAX			
70	--	--	--	45	40	70,233	50	200	5,100	6079.0006	6079.0033



PMO 70 m-s

with normally closed manipulator
double acting hand pump for single acting cylinder
for fixing to wall



Specifications:

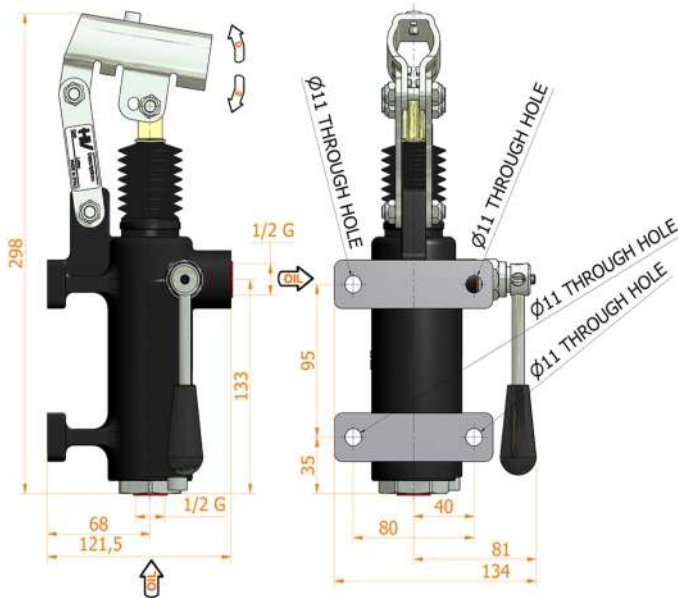
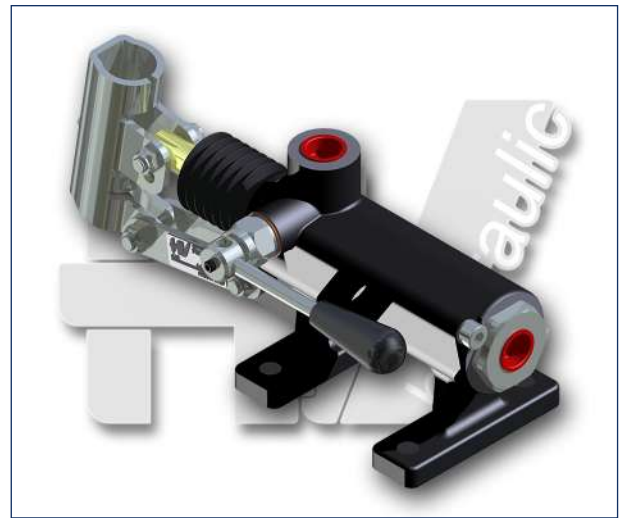
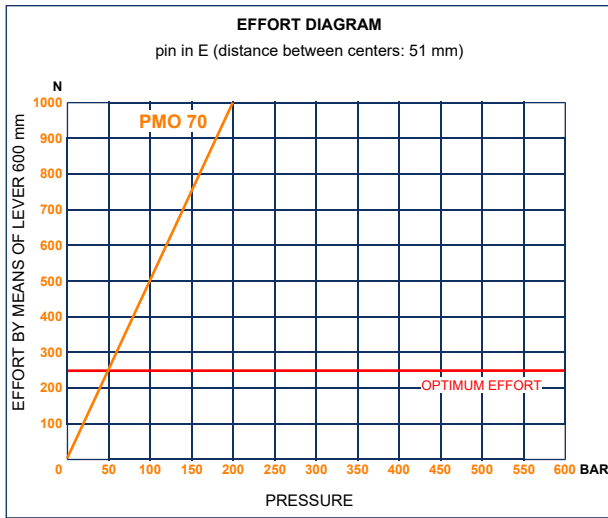
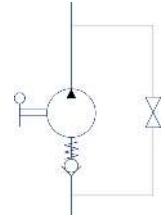
- Cast iron body
- Piston treated with Niploy
- White zinc plated support lever
- Lever connection Ø 27
- White zinc plated external parts
- Standard colour black

DISPLACEMENT cm ³	A mm	B mm	C mm	D °	E °	ACTUAL DISPLACEMENT cm ³	PRESSURE BAR		MASS KG	CODE WITHOUT BELLOWS	CODE WITH BELLOWS
							OPTIMAL	MAX			
70	--	--	--	45	40	70,233	50	200	5,100	6079.0007	6079.0034



PMO 70 L-s

with release lever
double acting hand pump for single acting cylinder
for fixing to wall



Specifications:

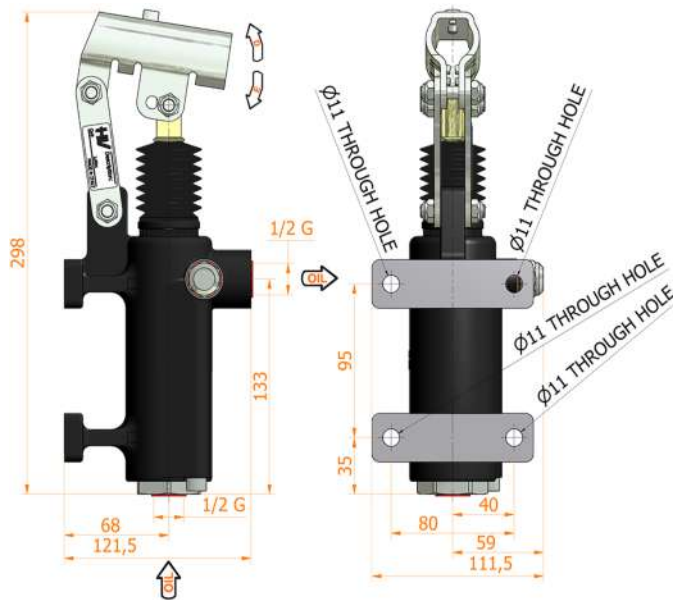
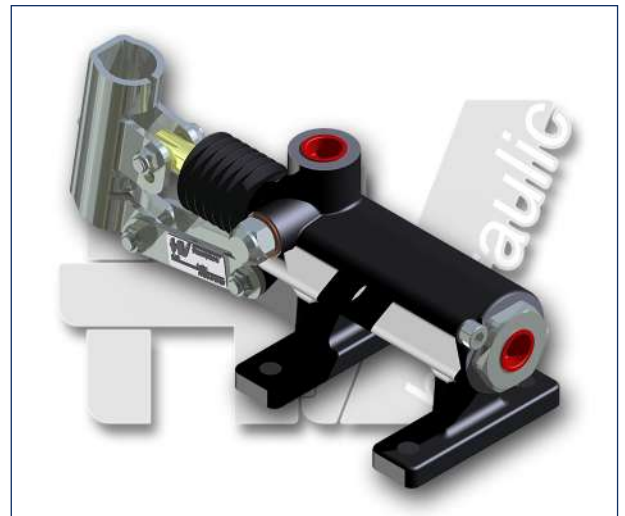
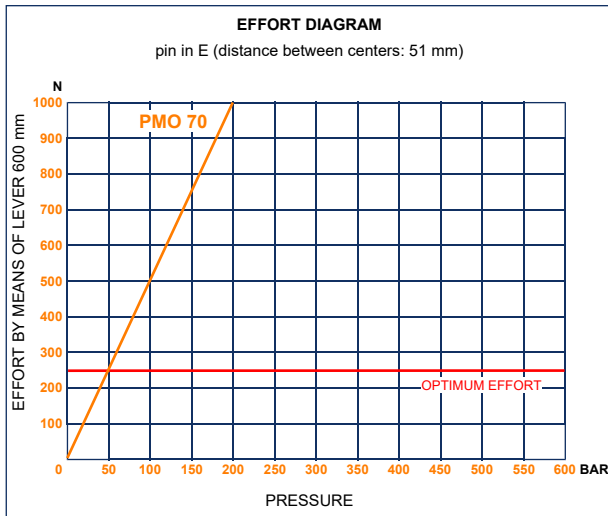
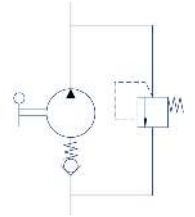
- Cast iron body
- Piston treated with Niploy
- White zinc plated support lever
- Lever connection Ø 27
- White zinc plated external parts
- Standard colour black

DISPLACEMENT cm ³	A mm	B mm	C mm	D °	E °	ACTUAL DISPLACEMENT cm ³	PRESSURE BAR		MASS KG	CODE WITHOUT BELLOWS	CODE WITH BELLOWS
							OPTIMAL	MAX			
70	--	--	--	45	40	70,233	50	200	5,100	6079.0008	6079.0035



PMO 70 byB-e-s

without release hand knob
with pressure relief valve
double acting hand pump for single acting cylinder
for fixing to wall



Specifications:

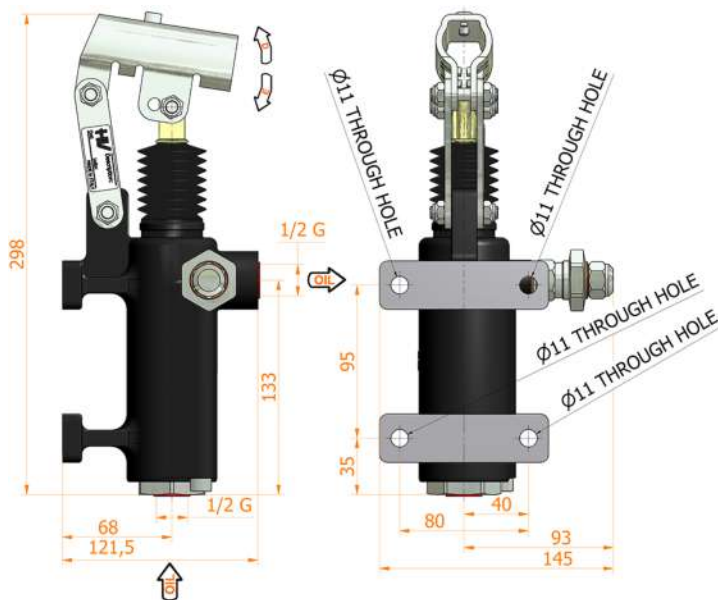
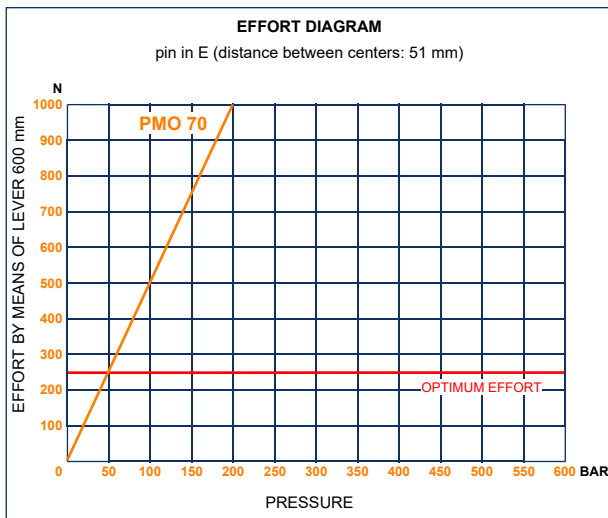
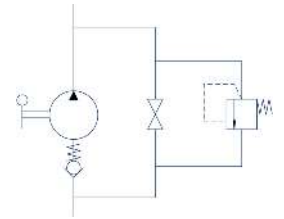
- Cast iron body
- Piston treated with Niploy
- White zinc plated support lever
- Lever connection Ø 27
- White zinc plated external parts
- Standard colour black
- Pressure relief valve standard setting: 100 bar

DISPLACEMENT cm ³	A mm	B mm	C mm	D °	E °	ACTUAL DISPLACEMENT cm ³	PRESSURE BAR		MASS KG	CODE WITHOUT BELLOWS	CODE WITH BELLOWS
							OPTIMAL	MAX			
70	--	--	--	45	40	70,233	50	200	5,100	6079.0009	6079.0036



PMO 70 byB-s

with release hand knob
with pressure relief valve
double acting hand pump for single acting cylinder
for fixing to wall



Specifications:

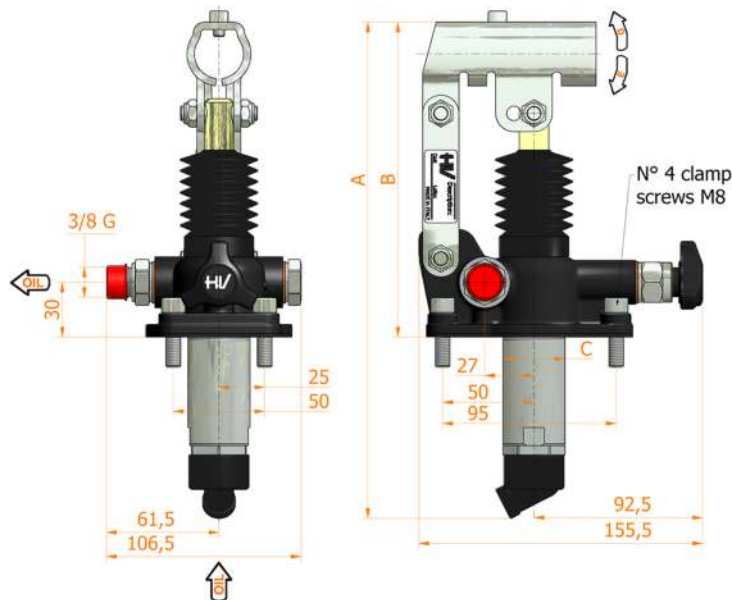
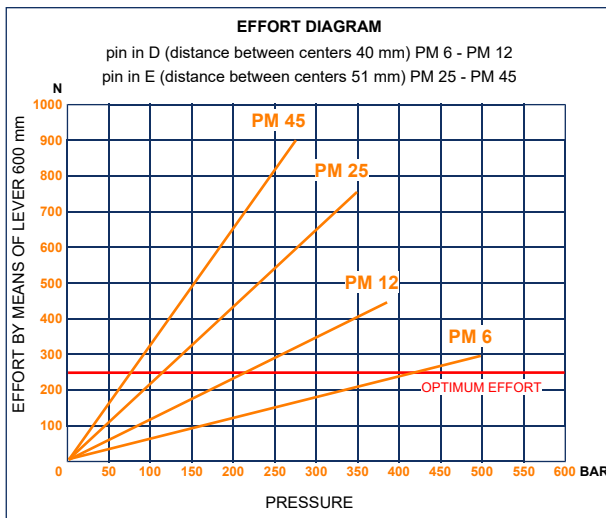
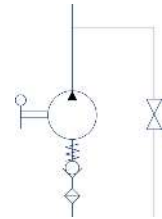
- Cast iron body
- Piston treated with Niploy
- White zinc plated support lever
- Lever connection Ø 27
- White zinc plated external parts
- Standard colour black
- Pressure relief valve standard setting: 100 bar

DISPLACEMENT cm ³	A mm	B mm	C mm	D °	E °	ACTUAL DISPLACEMENT cm ³	PRESSURE BAR		MASS KG	CODE WITHOUT BELLOWS	CODE WITH BELLOWS
							OPTIMAL	MAX			
70	--	--	--	45	40	70,233	50	200	5,100	6079.0010	6079.0037



PM 6-12-25-45 s

with release hand knob
double acting hand pump for single acting cylinder
for fixing to tank



Specifications:

- Cast iron body
- Piston treated with Niploy
- White zinc plated support lever
- Lever connection Ø 27
- White zinc plated external parts
- Standard colour black
- Oil tank mounting kit included

DISPLACEMENT cm ³	A mm	B mm	C mm	D °	E °	ACTUAL DISPLACEMENT cm ³	PRESSURE BAR		MASS KG	CODE WITHOUT BELLOWS	CODE WITH BELLOWS
							OPTIMAL	MAX			
6	253	166	34	26	31	6,970	420	500	2,900	6049.0108	6049.0116
12	253	166	34	26	31	12,095	220	380	2,900	6050.0108	6050.0116
25	273	172	34	30	30	25,280	120	350	2,950	6051.0108	6051.0116
45	283	172	40	45	33	44,532	80	280	3,000	6052.0108	6052.0116

HV Hydraulic S.r.l.

www.hvhydraulic.com - info@hvhydraulic.com

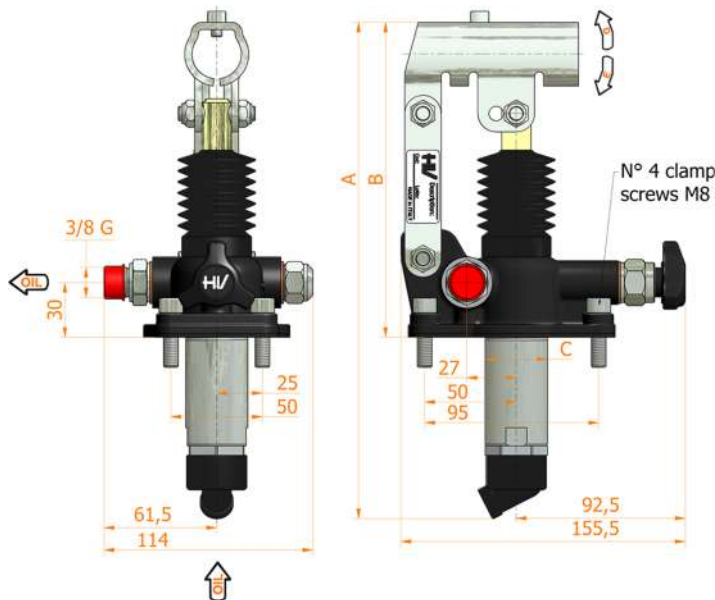
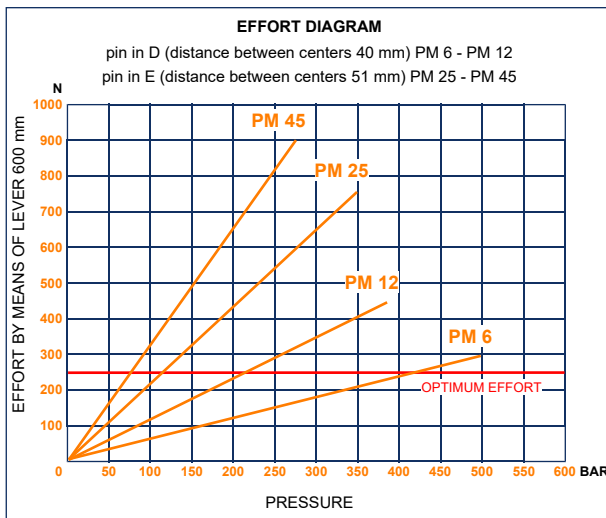
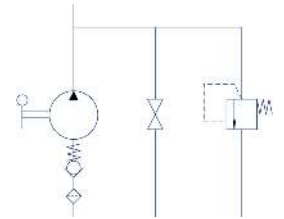
Via dell'Agricoltura, 162 - Loc. Castelletto di Serravalle - 40053 Valsamoggia (BO) Italy - Tel. +39 051 670.50.11 - Fax +39 051 670.53.74

© ALL RIGHTS RESERVED



PM 6-12-25-45 byB-s

with release hand knob
with pressure relief valve
double acting hand pump for single acting cylinder
for fixing to tank



Specifications:

- Cast iron body
- Piston treated with Niploy
- White zinc plated support lever
- Lever connection Ø 27
- White zinc plated external parts
- Standard colour black
- Oil tank mounting kit included
- Pressure relief valve standard setting: 100 bar

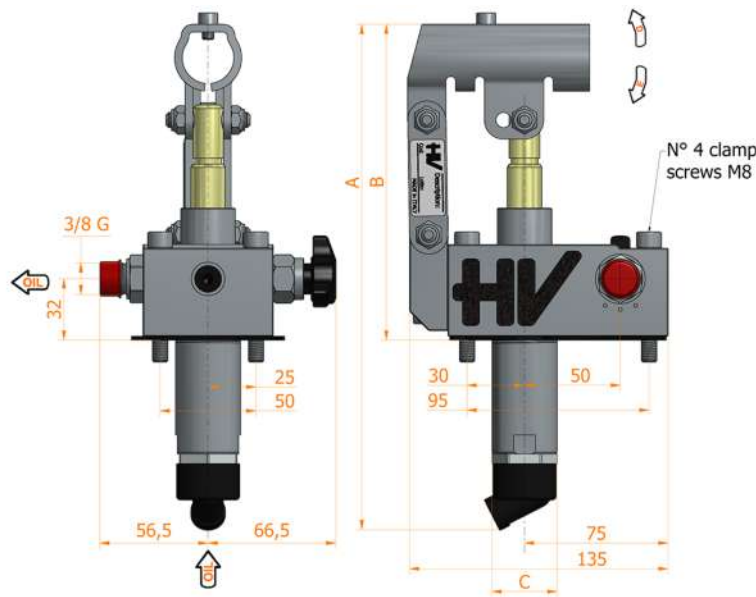
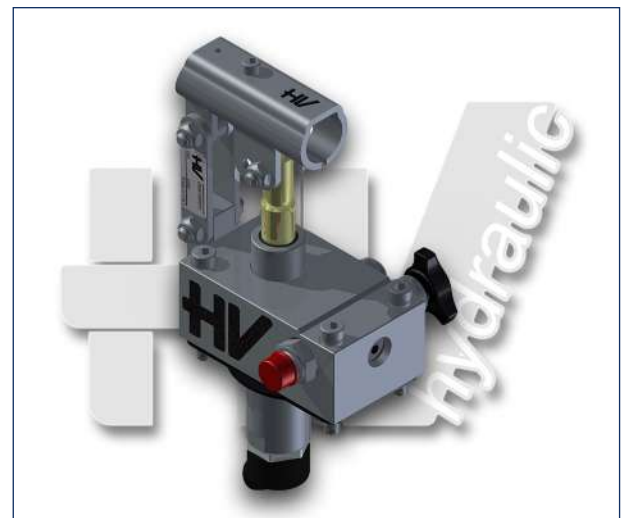
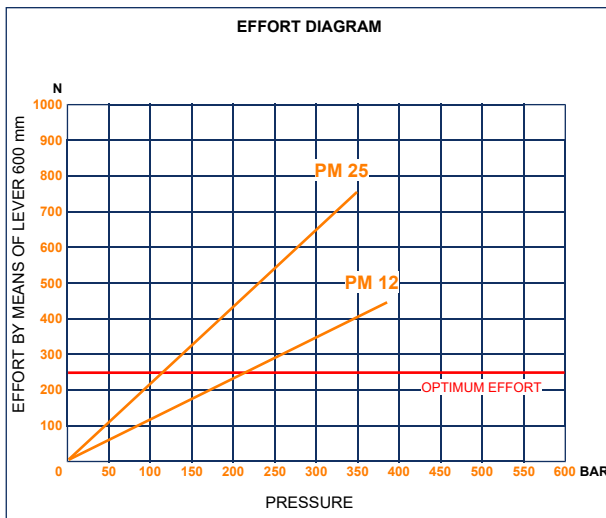
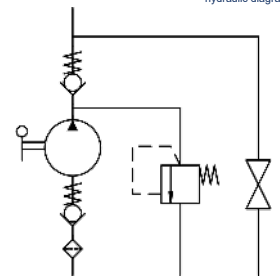
DISPLACEMENT cm ³	A mm	B mm	C mm	D °	E °	ACTUAL DISPLACEMENT cm ³	PRESSURE BAR		MASS KG	CODE WITHOUT BELLOWS	CODE WITH BELLOWS
							OPTIMAL	MAX			
6	253	166	34	26	31	6,970	420	500	2,900	6049.0109	6049.0117
12	253	166	34	26	31	12,095	220	380	2,900	6050.0109	6050.0117
25	273	172	34	30	30	25,280	120	350	2,950	6051.0109	6051.0117
45	283	172	40	45	33	44,532	80	280	3,000	6052.0109	6052.0117

HV Hydraulic S.r.l.

hydraulic diagram

PM 12-25 byB

with release hand knob
with pressure relief valve
double acting hand pump for single acting cylinder
for fixing to tank



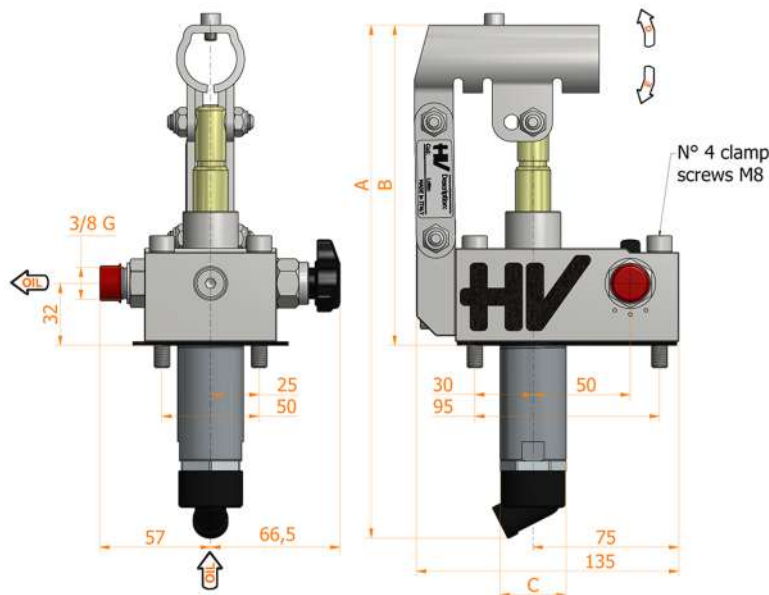
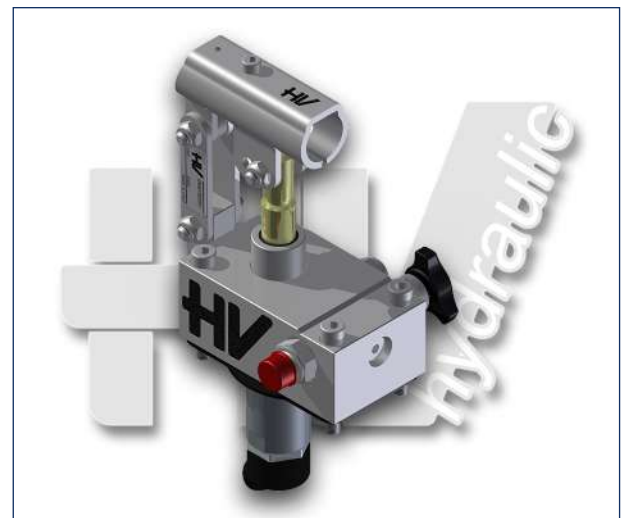
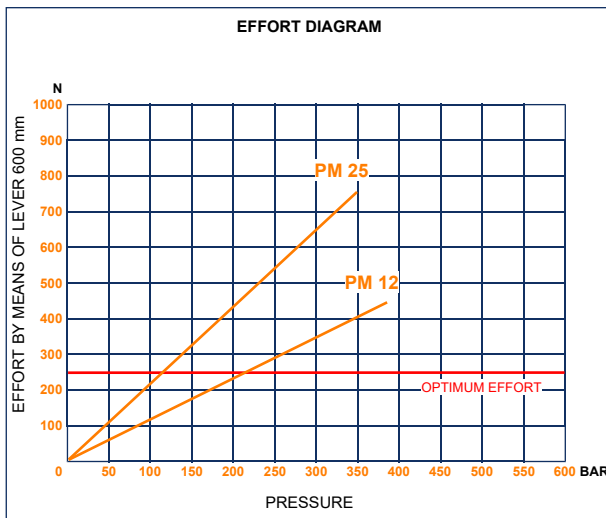
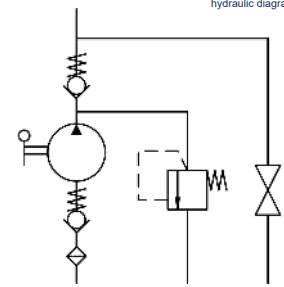
- Specifications:**
- White zinc plated pump body
 - Piston protection with Niploy
 - White zinc plated support lever
 - Lever connection Ø 27
 - White zinc plated external parts
 - Oil tank mounting kit including
 - Pressure relief valve standard setting: 100 bar
 - Equipped with non return valve on the outlet port
 - Triple sealing system made to prevent any oil leakage and sweating onto the piston rod

DISPLACEMENT cm ³	A mm	B mm	C mm	D °	E °	ACTUAL DISPLACEMENT cm ³	PRESSURE BAR		MASS KG	CODE	CODE WITH BELLOWS
							OPTIMAL	MAX			
12	253	166	34	26	31	12,095	220	380	4,000	6050.5000	
25	273	172	34	30	30	25,280	120	350	4,000	6051.5000	

hydraulic diagram

PM 12-25 byB-AISI-316

with release hand knob
with pressure relief valve
double acting hand pump for single acting cylinder
for fixing to tank



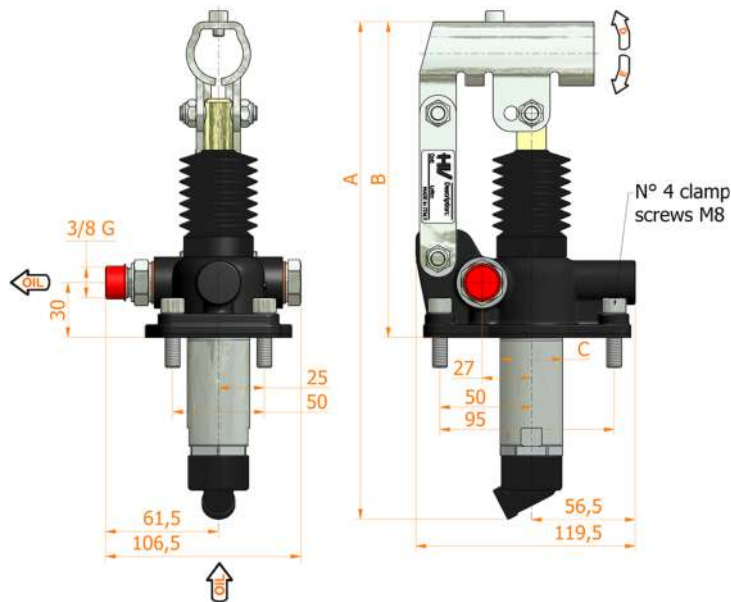
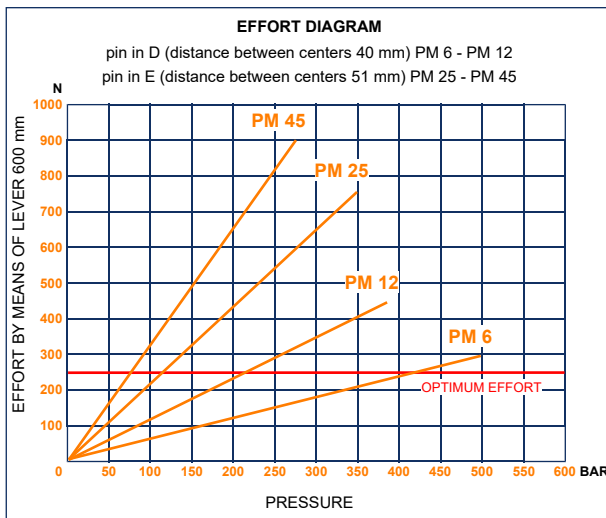
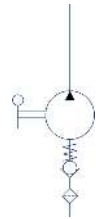
- Specifications:**
- Stainless steel AISI 316 pump body
 - Stainless steel AISI 630 piston rod with Niploy coating (50 µm)
 - Lever connection Ø 27
 - Stainless steel AISI 316 external parts
 - Oil tank mounting kit including
 - Pressure relief valve standard setting: 100 bar
 - Equipped with non return valve on the outlet port
 - Triple sealing system made to prevent any oil leakage and sweating onto the piston rod

DISPLACEMENT cm ³	A mm	B mm	C mm	D °	E °	ACTUAL DISPLACEMENT cm ³	PRESSURE BAR		MASS KG	CODE	CODE WITH BELLOWS
							OPTIMAL	MAX			
12	253	166	34	26	31	12,095	220	380	4,200	6050.7000	
25	273	172	34	30	30	25,280	120	350	4,200	6051.7000	



PM 6-12-25-45 e-s

without release hand knob
double acting hand pump for single acting cylinder
for fixing to tank



Specifications:

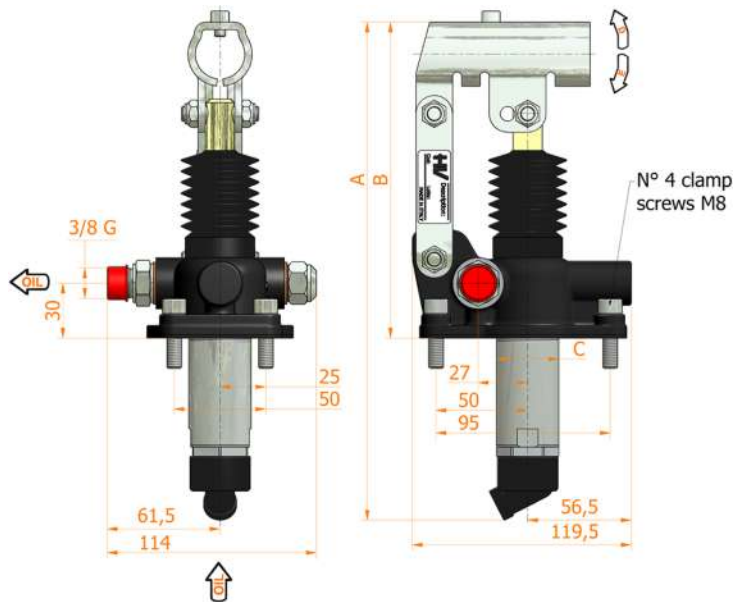
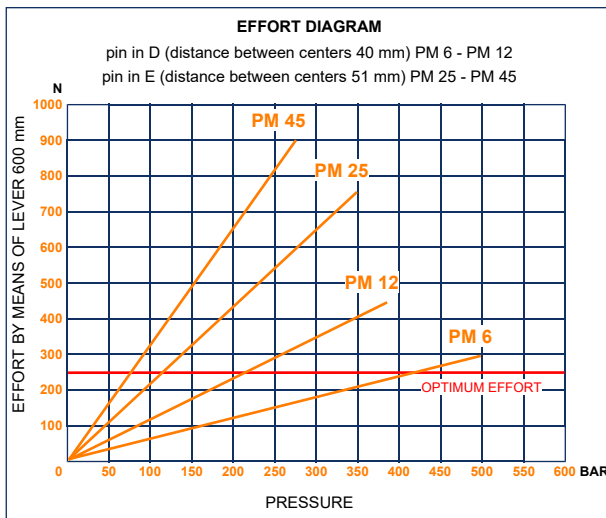
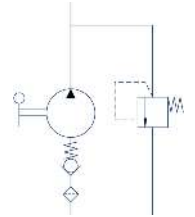
- Cast iron body
- Piston treated with Niploy
- White zinc plated support lever
- Lever connection Ø 27
- White zinc plated external parts
- Standard colour black
- Oil tank mounting kit included

DISPLACEMENT cm ³	A mm	B mm	C mm	D °	E °	ACTUAL DISPLACEMENT cm ³	PRESSURE BAR		MASS KG	CODE WITHOUT BELLOWS	CODE WITH BELLOWS
							OPTIMAL	MAX			
6	253	166	34	26	31	6,970	420	500	2,900	6049.0110	6049.0118
12	253	166	34	26	31	12,095	220	380	2,900	6050.0110	6050.0118
25	273	172	34	30	30	25,280	120	350	2,950	6051.0110	6051.0118
45	283	172	40	45	33	44,532	80	280	3,000	6052.0110	6052.0118



PM 6-12-25-45 byB-e-s

without release hand knob
with pressure relief valve
double acting hand pump for single acting cylinder
for fixing to tank



Specifications:

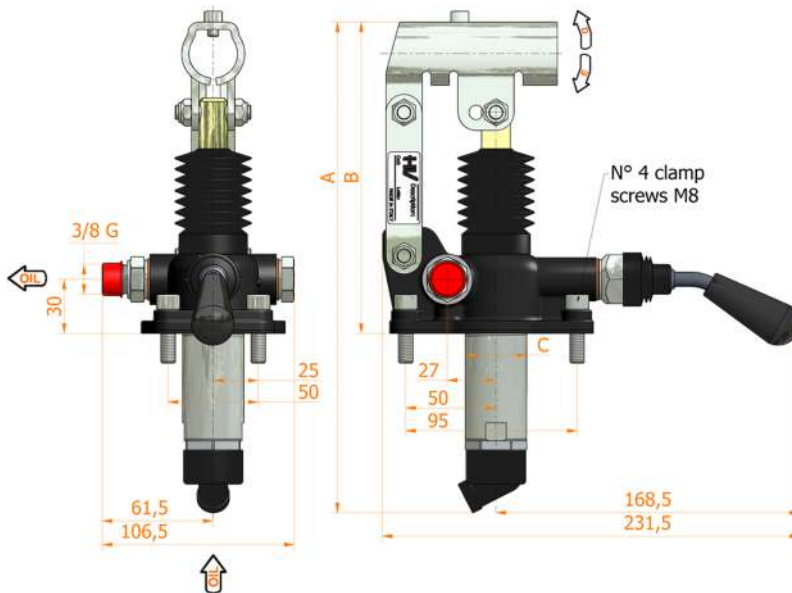
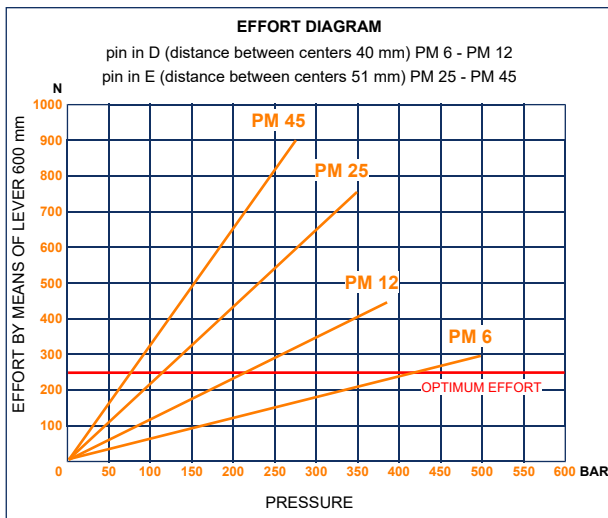
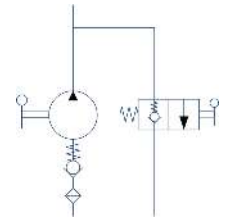
- Cast iron body
- Piston treated with Niploy
- White zinc plated support lever
- Lever connection Ø 27
- White zinc plated external parts
- Standard colour black
- Oil tank mounting kit included
- Pressure relief valve standard setting: 100 bar

DISPLACEMENT cm ³	A mm	B mm	C mm	D °	E °	ACTUAL DISPLACEMENT cm ³	PRESSURE BAR		MASS KG	CODE WITHOUT BELLOWS	CODE WITH BELLOWS
							OPTIMAL	MAX			
6	253	166	34	26	31	6,970	420	500	2,900	6049.0111	6049.0119
12	253	166	34	26	31	12,095	220	380	2,900	6050.0111	6050.0119
25	273	172	34	30	30	25,280	120	350	2,950	6051.0111	6051.0119
45	283	172	40	45	33	44,532	80	280	3,000	6052.0111	6052.0119



PM 6-12-25-45 m-s

with normally closed manipulator
double acting hand pump for single acting cylinder
for fixing to tank



Specifications:

- Cast iron body
- Piston treated with Niploy
- White zinc plated support lever
- Lever connection Ø 27
- White zinc plated external parts
- Standard colour black
- Oil tank mounting kit included

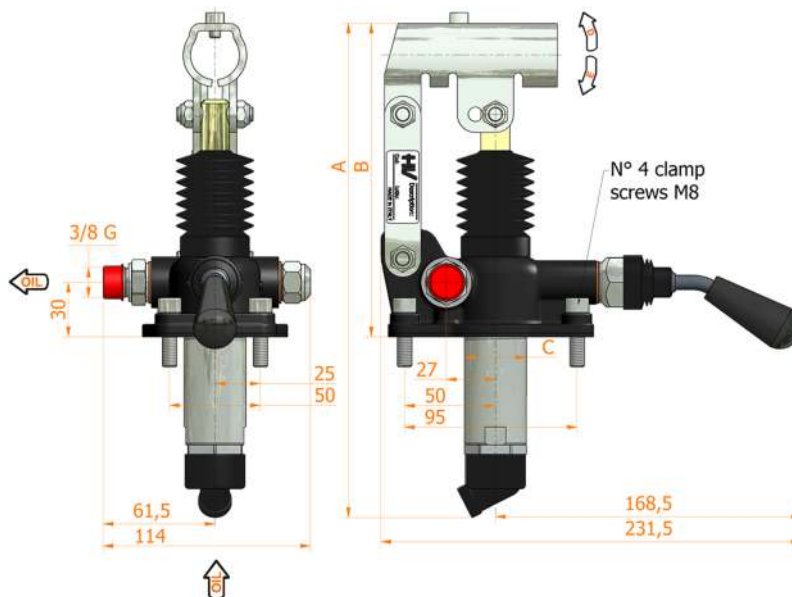
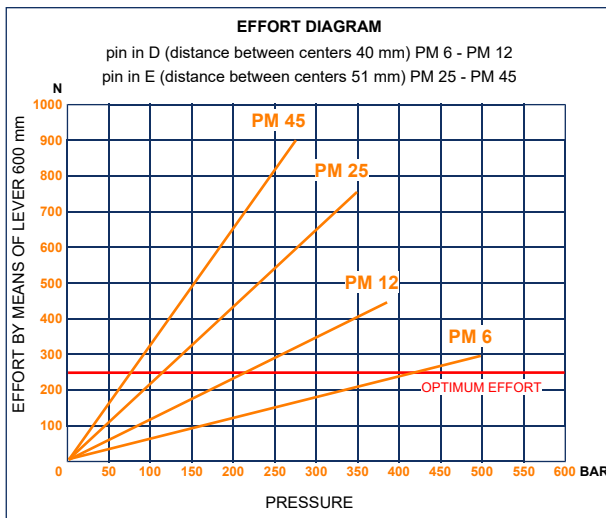
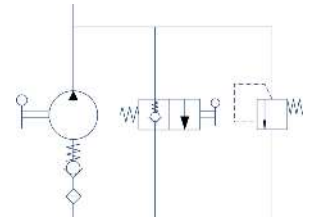
DISPLACEMENT cm ³	A mm	B mm	C mm	D °	E °	ACTUAL DISPLACEMENT cm ³	PRESSURE BAR		MASS KG	CODE WITHOUT BELLOWS	CODE WITH BELLOWS
							OPTIMAL	MAX			
6	253	166	34	26	31	6,970	420	500	2,900	6049.0112	6049.0120
12	253	166	34	26	31	12,095	220	380	2,900	6050.0112	6050.0120
25	273	172	34	30	30	25,280	120	350	2,950	6051.0112	6051.0120
45	283	172	40	45	33	44,532	80	280	3,000	6052.0112	6052.0120

HV Hydraulic S.r.l.



PM 6-12-25-45 byB-m-s

with normally closed manipulator
with pressure relief valve
double acting hand pump for single acting cylinder
for fixing to tank



Specifications:

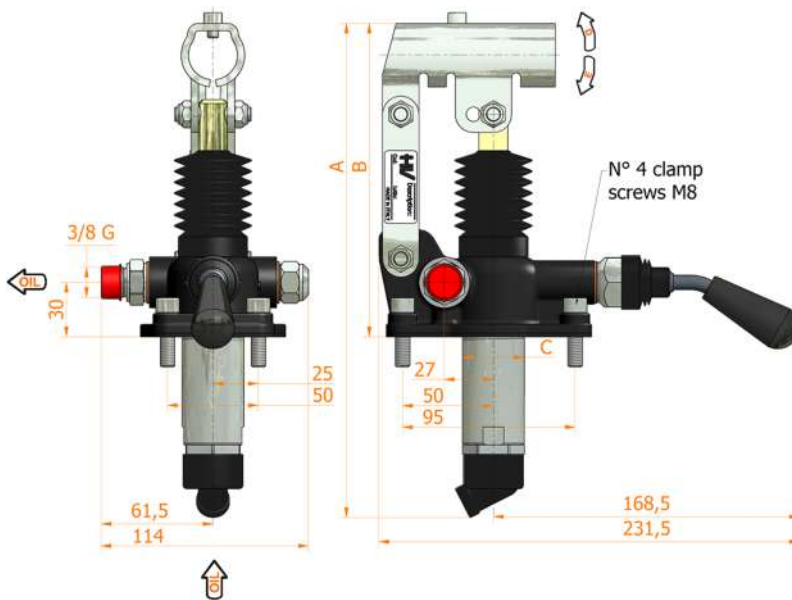
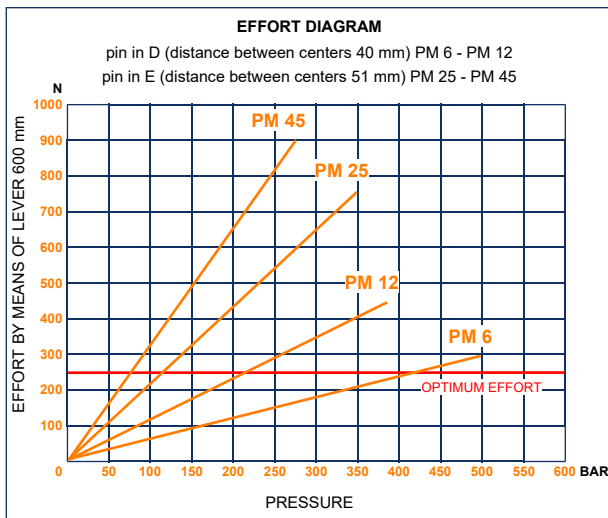
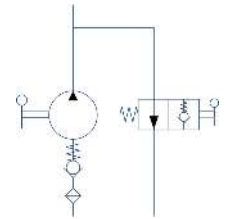
- Cast iron body
- Piston treated with Niploy
- White zinc plated support lever
- Lever connection Ø 27
- White zinc plated external parts
- Standard colour black
- Oil tank mounting kit included
- Pressure relief valve standard setting: 100 bar

DISPLACEMENT cm ³	A mm	B mm	C mm	D °	E °	ACTUAL DISPLACEMENT cm ³	PRESSURE BAR		MASS KG	CODE WITHOUT BELLOWS	CODE WITH BELLOWS
							OPTIMAL	MAX			
6	253	166	34	26	31	6,970	420	500	2,900	6049.0113	6049.0121
12	253	166	34	26	31	12,095	220	380	2,900	6050.0113	6050.0121
25	273	172	34	30	30	25,280	120	350	2,950	6051.0113	6051.0121
45	283	172	40	45	33	44,532	80	280	3,000	6052.0113	6052.0121



PM 6-12-25-45 mna-s

with normally open manipulator
double acting hand pump for single acting cylinder
for fixing to tank



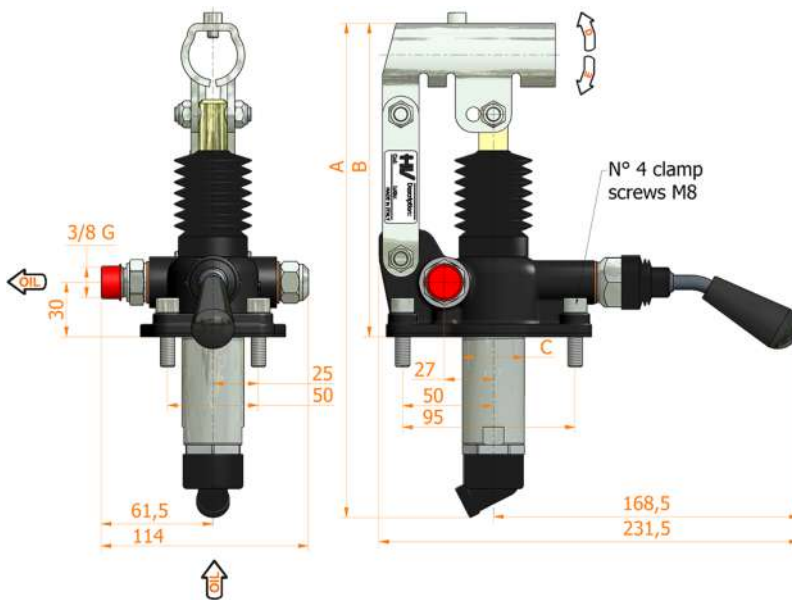
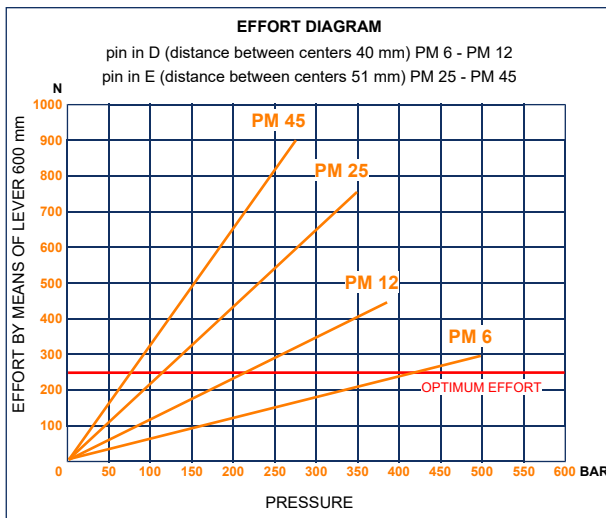
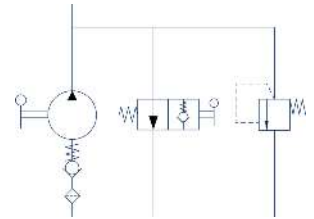
Specifications:

- Cast iron body
- Piston treated with Niploy
- White zinc plated support lever
- Lever connection Ø 27
- White zinc plated external parts
- Standard colour black
- Oil tank mounting kit included

DISPLACEMENT cm ³	A mm	B mm	C mm	D °	E °	ACTUAL DISPLACEMENT cm ³	PRESSURE BAR		MASS KG	CODE WITHOUT BELLOWS	CODE WITH BELLOWS
							OPTIMAL	MAX			
6	253	166	34	26	31	6,970	420	500	2,900	6049.0139	6049.0140
12	253	166	34	26	31	12,095	220	380	2,900	6050.0139	6050.0140
25	273	172	34	30	30	25,280	120	350	2,950	6051.0139	6051.0140
45	283	172	40	45	33	44,532	80	208	3,000	6052.0139	6052.0140

PM 6-12-25-45 byB-mna-s

with normally open manipulator
with pressure relief valve
double acting hand pump for single acting cylinder
for fixing to tank



Specifications:

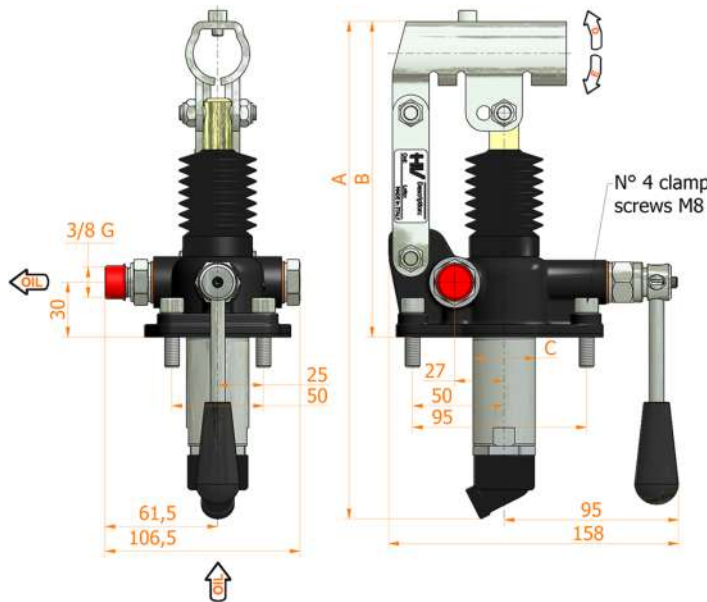
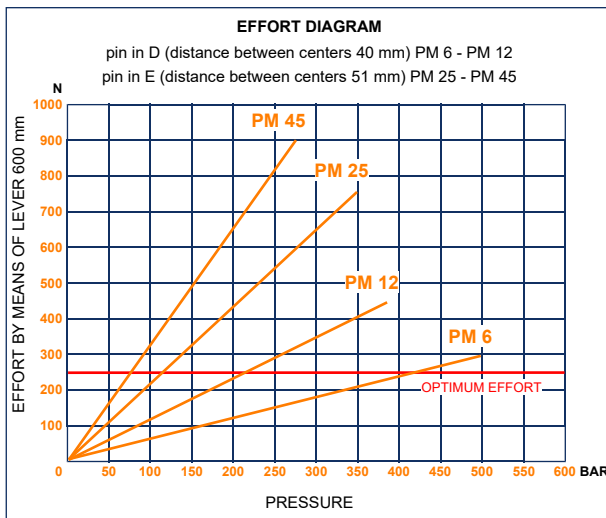
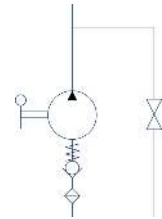
- Cast iron body
- Piston treated with Niploy
- White zinc plated support lever
- Lever connection Ø 27
- White zinc plated external parts
- Standard colour black
- Oil tank mounting kit included
- Pressure relief valve standard setting: 100 bar

DISPLACEMENT cm ³	A mm	B mm	C mm	D °	E °	ACTUAL DISPLACEMENT cm ³	PRESSURE BAR		MASS KG	CODE WITHOUT BELLOWS	CODE WITH BELLOWS
							OPTIMAL	MAX			
6	253	166	34	26	31	6,970	420	500	2,900	6049.0141	6049.0142
12	253	166	34	26	31	12,095	220	380	2,900	6050.0141	6050.0142
25	273	172	34	30	30	25,280	120	350	2,950	6051.0141	6051.0142
45	283	172	40	45	33	44,532	80	208	3,000	6052.0141	6052.0142



PM 6-12-25-45 L-s

with release lever
double acting hand pump for single acting cylinder
for fixing to tank

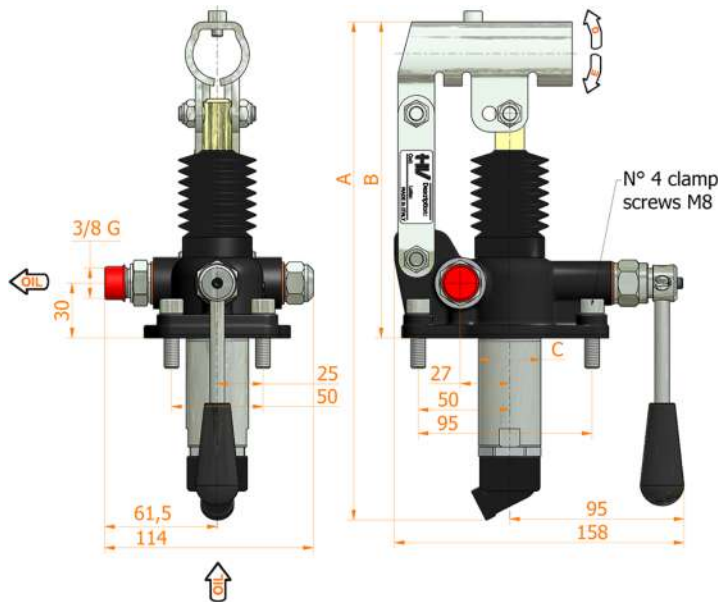
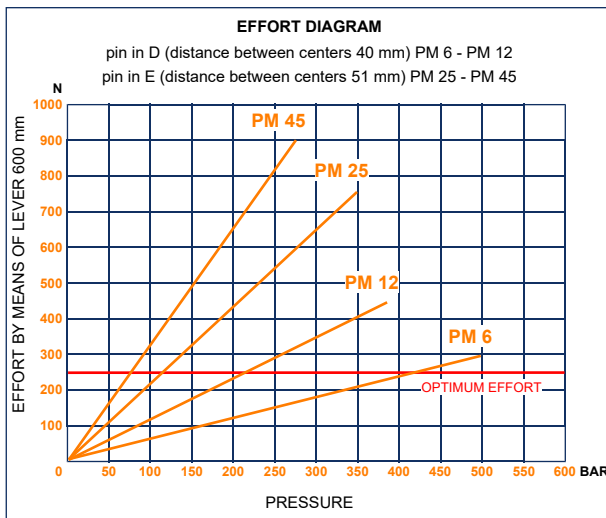
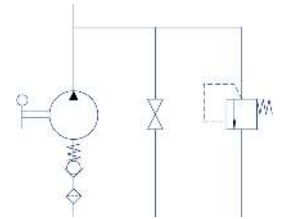


- Specifications:**
- Cast iron body
 - Piston treated with Niploy
 - White zinc plated support lever
 - Lever connection Ø 27
 - White zinc plated external parts
 - Standard colour black
 - Oil tank mounting kit included

DISPLACEMENT cm ³	A mm	B mm	C mm	D °	E °	ACTUAL DISPLACEMENT cm ³	PRESSURE BAR		MASS KG	CODE WITHOUT BELLOWS	CODE WITH BELLOWS
							OPTIMAL	MAX			
6	253	166	34	26	31	6,970	420	500	2,900	6049.0114	6049.0122
12	253	166	34	26	31	12,095	220	380	2,900	6050.0114	6050.0122
25	273	172	34	30	30	25,280	120	350	2,950	6051.0114	6051.0122
45	283	172	40	45	33	44,532	80	280	3,000	6052.0114	6052.0122

PM 6-12-25-45 byB-L-s

with release lever
with pressure relief valve
double acting hand pump for single acting cylinder
for fixing to tank



Specifications:

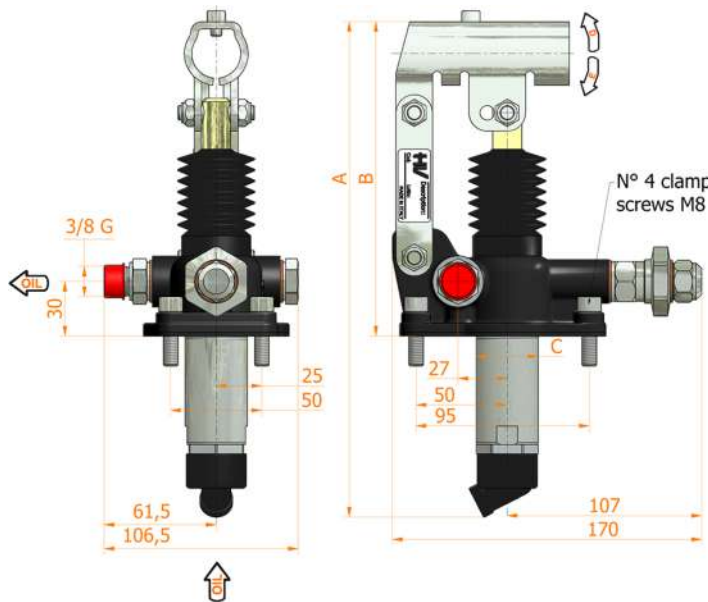
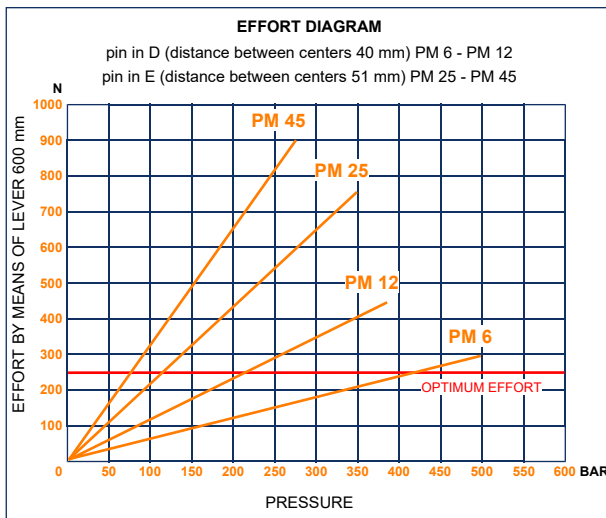
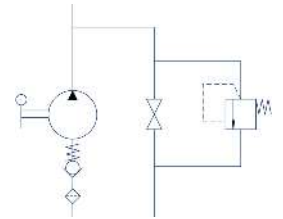
- Cast iron body
- Piston treated with Niploy
- White zinc plated support lever
- Lever connection Ø 27
- White zinc plated external parts
- Standard colour black
- Oil tank mounting kit included
- Pressure relief valve standard setting: 100 bar

DISPLACEMENT cm ³	A mm	B mm	C mm	D °	E °	ACTUAL DISPLACEMENT cm ³	PRESSURE BAR		MASS KG	CODE WITHOUT BELLOWS	CODE WITH BELLOWS
							OPTIMAL	MAX			
6	253	166	34	26	31	6,970	420	500	2,900	6049.0115	6049.0123
12	253	166	34	26	31	12,095	220	380	2,900	6050.0115	6050.0123
25	273	172	34	30	30	25,280	120	350	2,950	6051.0115	6051.0123
45	283	172	40	45	33	44,532	80	280	3,000	6052.0115	6052.0123



PM 6-12-25-45 byC-s

with release lever
with pressure relief valve
double acting hand pump for single acting cylinder
for fixing to tank



Specifications:

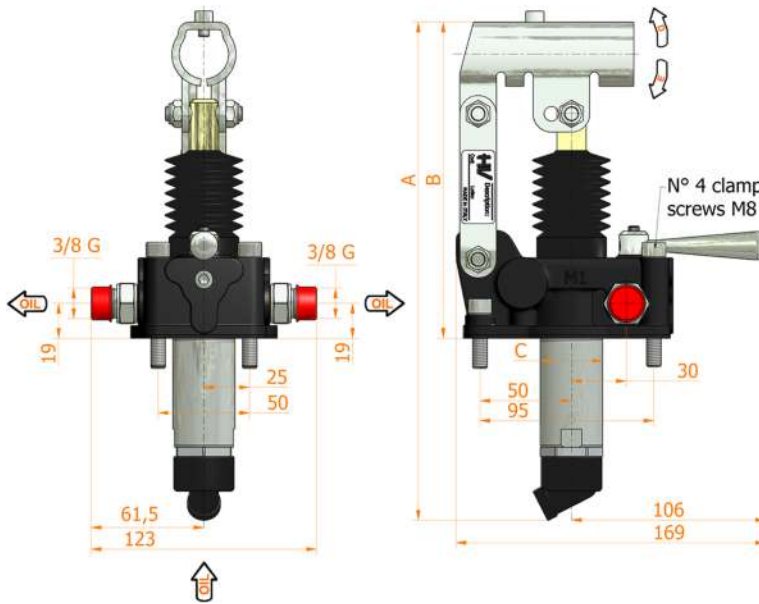
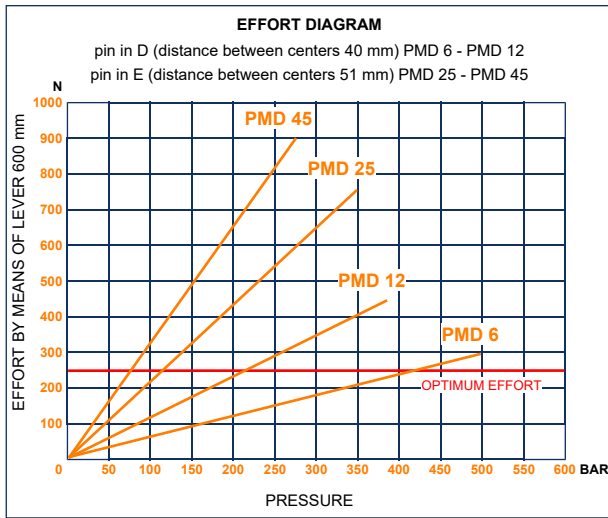
- Cast iron body
- Piston treated with Niploy
- White zinc plated support lever
- Lever connection Ø 27
- White zinc plated external parts
- Standard colour black
- Oil tank mounting kit included
- Pressure relief valve standard setting: 100 bar

DISPLACEMENT cm ³	A mm	B mm	C mm	D °	E °	ACTUAL DISPLACEMENT cm ³	PRESSURE BAR		MASS KG	CODE WITHOUT BELLOWS	CODE WITH BELLOWS
							OPTIMAL	MAX			
6	253	166	34	26	31	6,970	420	500	2,900	6049.0143	6049.0144
12	253	166	34	26	31	12,095	220	380	2,900	6050.0143	6050.0144
25	273	172	34	30	30	25,280	120	350	2,950	6051.0143	6051.0144
45	283	172	40	45	33	44,532	80	280	3,000	6052.0143	6052.0144



PMD 6-12-25-45 s

with 4/3 flow divider closed centre
double acting hand pump for a double acting cylinder
for fixing to tank



Specifications:

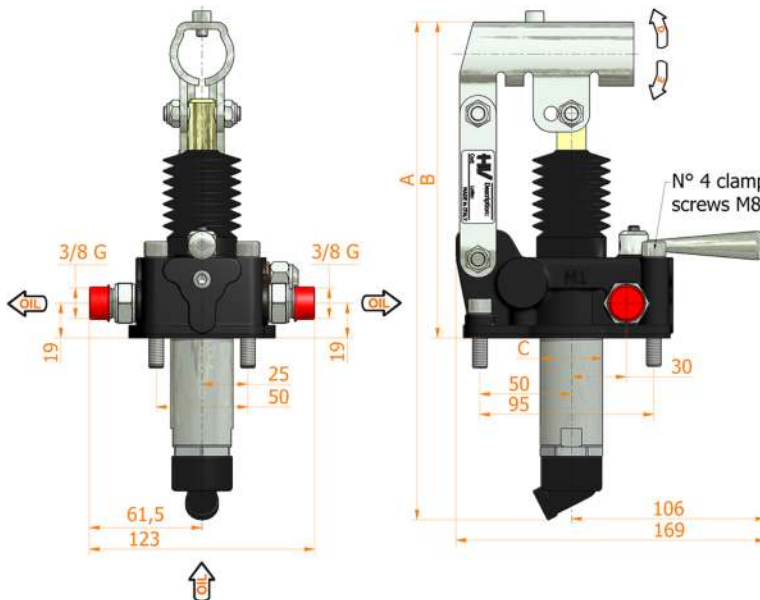
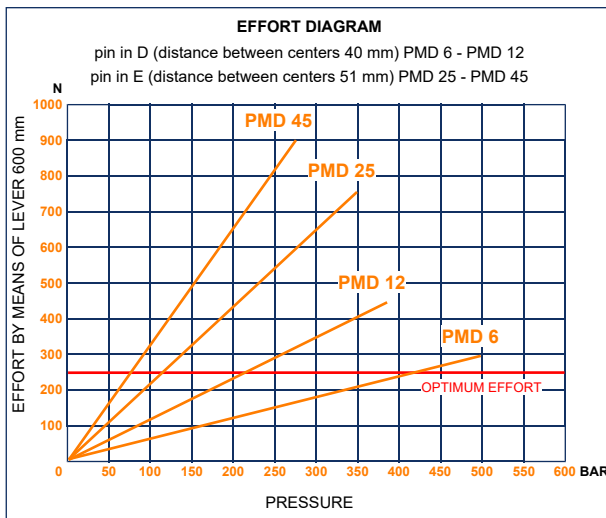
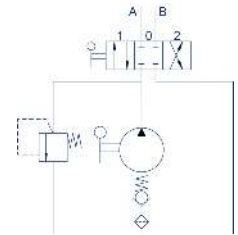
- Cast iron body
- Piston treated with Niploy
- White zinc plated support lever
- Lever connection Ø 27
- White zinc plated external parts
- Standard colour black
- Oil tank mounting kit included

DISPLACEMENT cm ³	A mm	B mm	C mm	D °	E °	ACTUAL DISPLACEMENT cm ³	PRESSURE BAR		MASS KG	CODE WITHOUT BELLOWS	CODE WITH BELLOWS
							OPTIMAL	MAX			
6	253	166	34	26	31	6,970	420	500	3,400	6054.0018	6054.0045
12	253	166	34	26	31	12,095	220	380	3,400	6055.0018	6055.0045
25	273	172	34	30	30	25,280	120	350	3,450	6056.0018	6056.0045
45	283	172	40	45	33	44,532	80	280	3,500	6057.0018	6057.0045



PMD 6-12-25-45 byB-s

with 4/3 flow divider closed centre
with pressure relief valve
double acting hand pump for a double acting cylinder
for fixing to tank



Specifications:

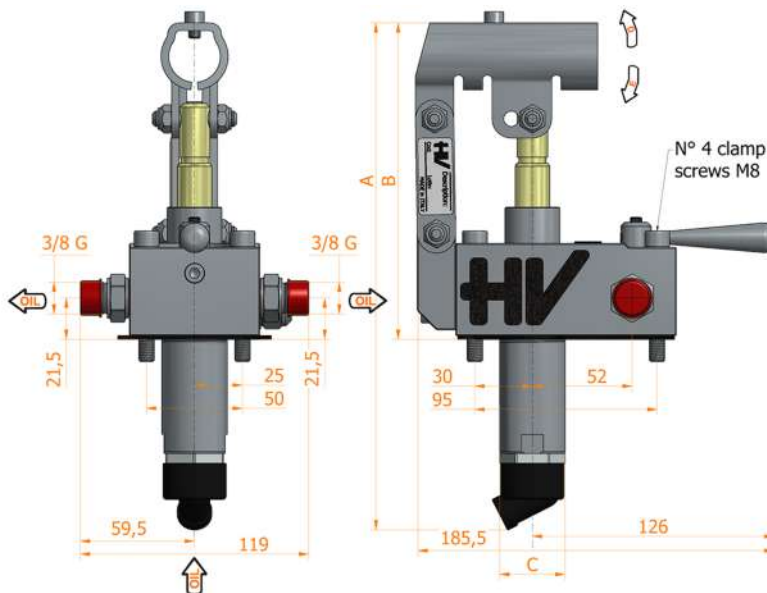
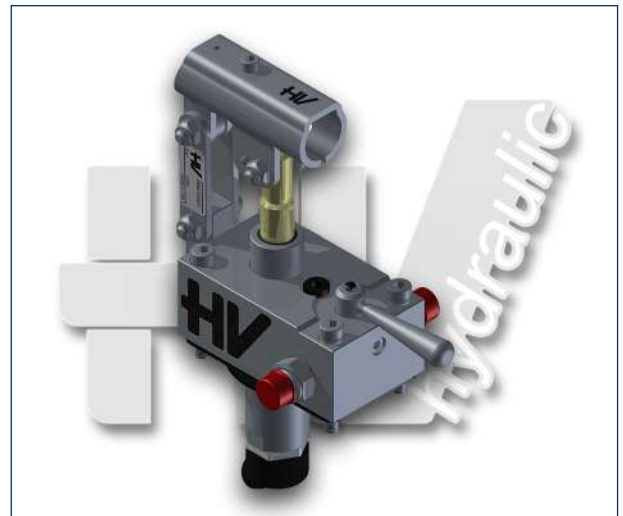
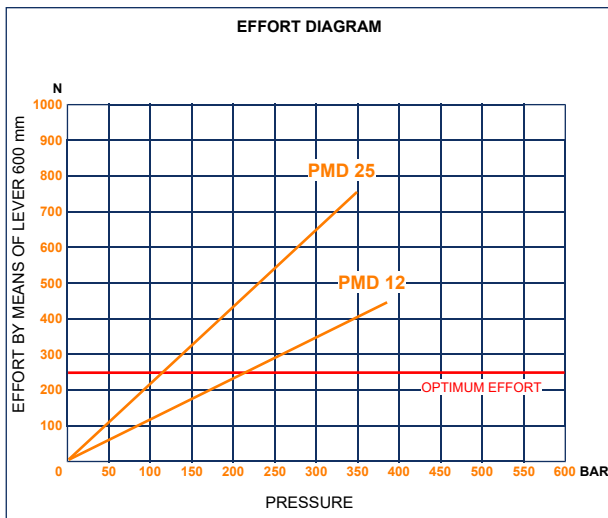
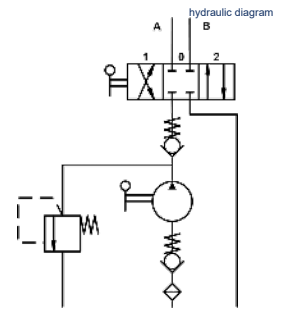
- Cast iron body
- Piston treated with Niploy
- White zinc plated support lever
- Lever connection Ø 27
- White zinc plated external parts
- Standard colour black
- Oil tank mounting kit included
- Pressure relief valve standard setting: 100 bar

DISPLACEMENT cm ³	A mm	B mm	C mm	D °	E °	ACTUAL DISPLACEMENT cm ³	PRESSURE BAR		MASS KG	CODE WITHOUT BELLOWS	CODE WITH BELLOWS
							OPTIMAL	MAX			
6	253	166	34	26	31	6,970	420	500	3,400	6054.0019	6054.0046
12	253	166	34	26	31	12,095	220	380	3,400	6055.0019	6055.0046
25	273	172	34	30	30	25,280	120	350	3,450	6056.0019	6056.0046
45	283	172	40	45	33	44,532	80	280	3,500	6057.0019	6057.0046



PMD 12-25 byB

with 4/3 flow divider closed centre
with pressure relief valve
double acting hand pump for a double acting cylinder
for fixing to tank



Specifications:

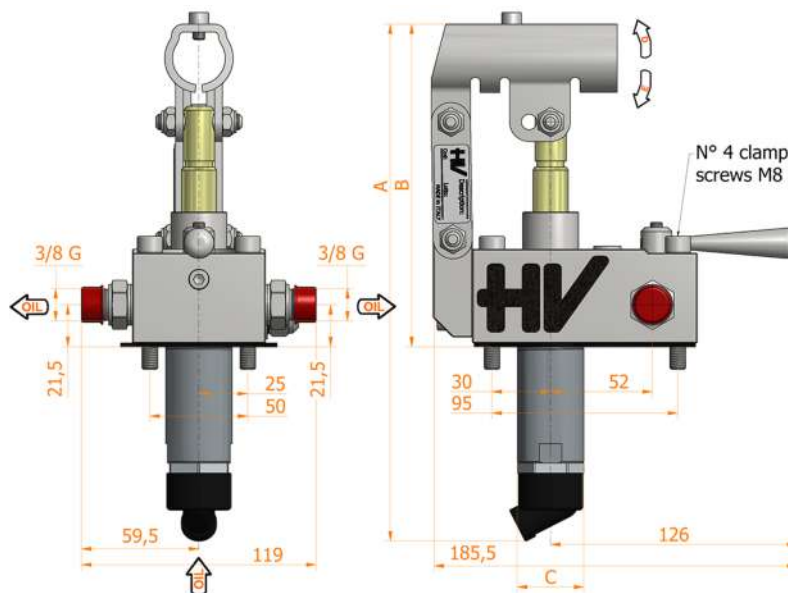
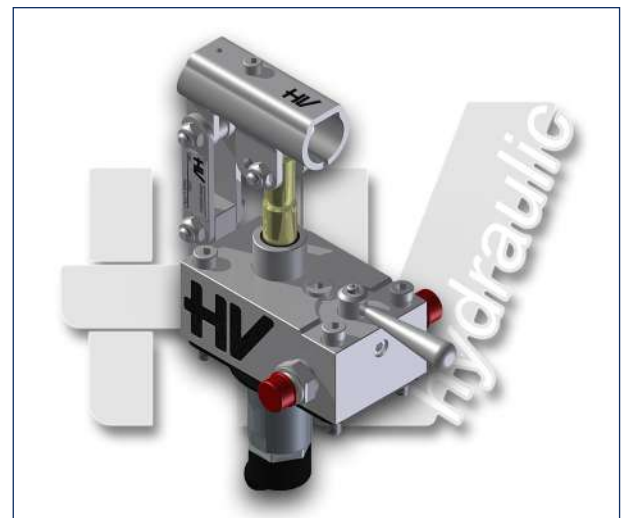
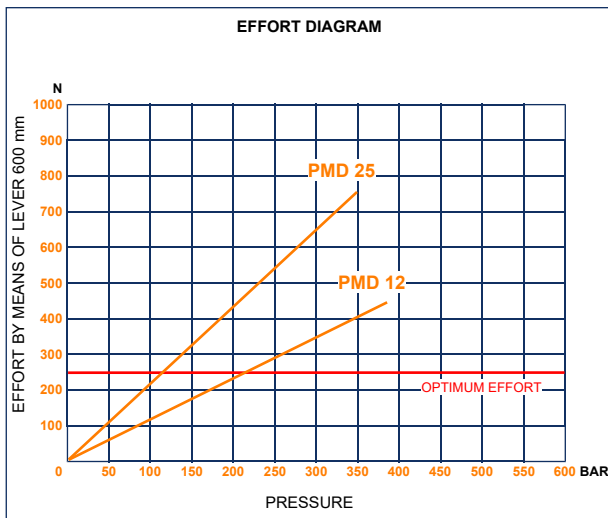
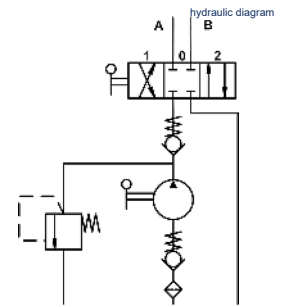
- White zinc plated pump body
- Piston protection with Niploy
- White zinc plated support lever
- Lever connection Ø 27
- White zinc plated external parts
- Oil tank mounting kit including
- Pressure relief valve standard setting: 100 bar
- Triple sealing system made to prevent any oil leakage and sweating onto the piston rod

DISPLACEMENT cm ³	A mm	B mm	C mm	D °	E °	ACTUAL DISPLACEMENT cm ³	PRESSURE BAR		MASS KG	CODE	CODE WITH BELLOWS
							OPTIMAL	MAX			
12	253	166	34	26	31	12,095	220	380	4,200	6055.5000	
25	273	172	34	30	30	25,280	120	350	4,200	6056.5000	



PMD 12-25 by B-AISI-316

with 4/3 flow divider closed centre
with pressure relief valve
double acting hand pump for a double acting cylinder
for fixing to tank



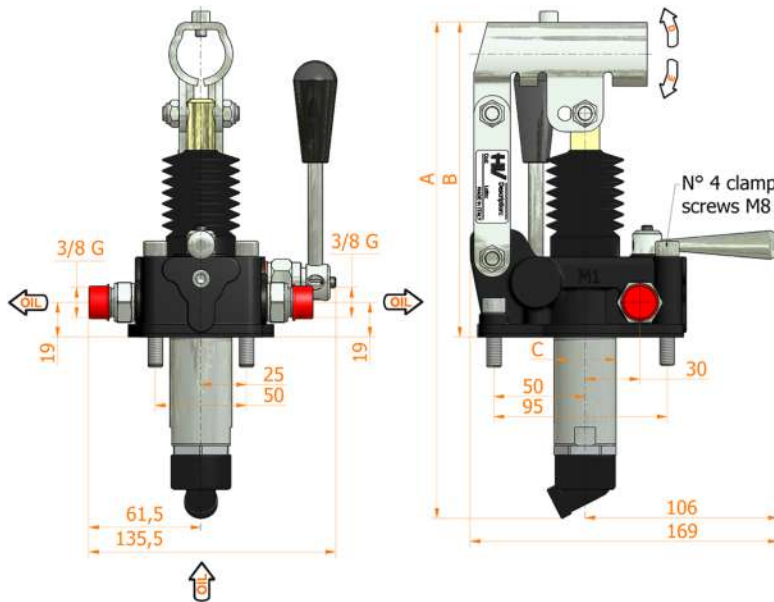
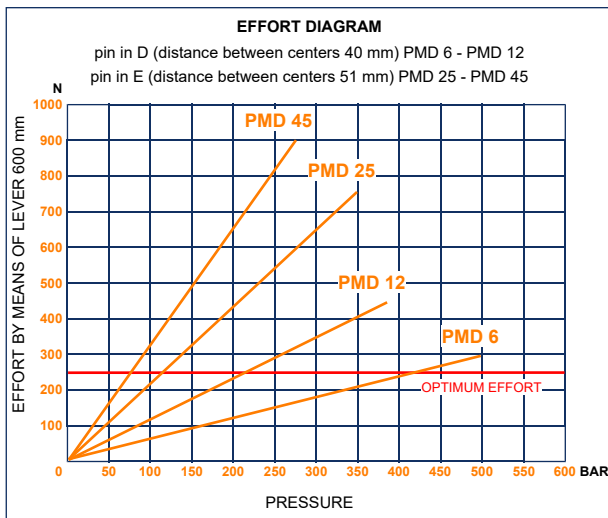
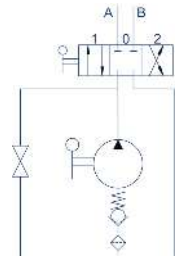
- Specifications:**
- Stainless steel AISI 316 pump body
 - Stainless steel AISI 630 piston rod with Niploy coating (50 µm)
 - Lever connection Ø 27
 - Stainless steel AISI 316 external parts
 - Oil tank mounting kit including
 - Pressure relief valve standard setting: 100 bar
 - Triple sealing system made to prevent any oil leakage and sweating onto the piston rod

DISPLACEMENT cm ³	A mm	B mm	C mm	D °	E °	ACTUAL DISPLACEMENT cm ³	PRESSURE BAR		MASS KG	CODE	CODE WITH BELLOWS
							OPTIMAL	MAX			
12	253	166	34	26	31	12,095	220	380	4,400	6055.7000	
25	273	172	34	30	30	25,280	120	350	4,400	6056.7000	



PMD 6-12-25-45 L-s

with 4/3 flow divider
with release lever
double acting hand pump for a double acting cylinder
for fixing to tank



Specifications:

- Cast iron body
- Piston treated with Niploy
- White zinc plated support lever
- Lever connection Ø 27
- White zinc plated external parts
- Standard colour black
- Oil tank mounting kit included

DISPLACEMENT cm ³	A mm	B mm	C mm	D °	E °	ACTUAL DISPLACEMENT cm ³	PRESSURE BAR		MASS KG	CODE WITHOUT BELLOWS	CODE WITH BELLOWS
							OPTIMAL	MAX			
6	253	166	34	26	31	6,970	420	500	3,400	6054.0020	6054.0047
12	253	166	34	26	31	12,095	220	380	3,400	6055.0020	6055.0047
25	273	172	34	30	30	25,280	120	350	3,450	6056.0020	6056.0047
45	283	172	40	45	33	44,532	80	280	3,500	6057.0020	6057.0047

HV Hydraulic S.r.l.

www.hvhydraulic.com - info@hvhydraulic.com

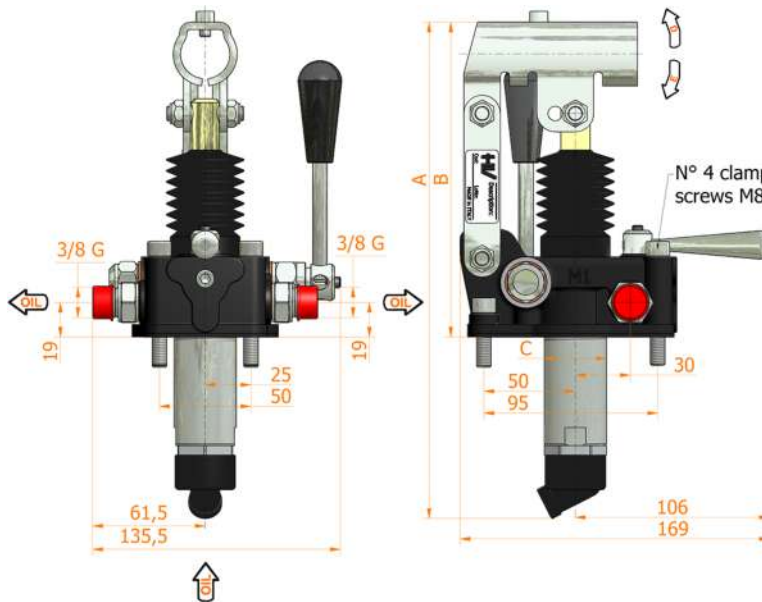
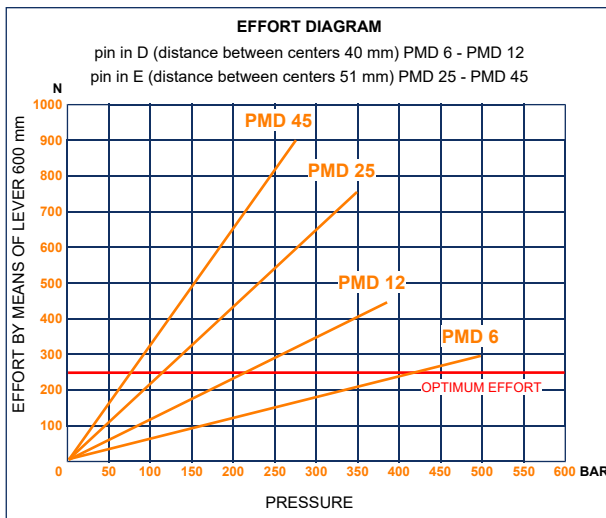
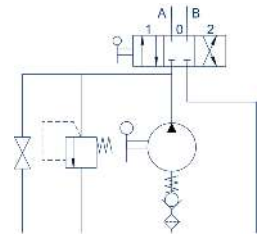
Via dell'Agricoltura, 162 - Loc. Castelletto di Serravalle - 40053 Valsamoggia (BO) Italy - Tel. +39 051 670.50.11 - Fax +39 051 670.53.74

© ALL RIGHTS RESERVED



PMD 6-12-25-45 byA-L-s

with 4/3 flow divider closed centre
with release lever
with pressure relief valve
double acting hand pump for a double acting cylinder
for fixing to tank



Specifications:

- Cast iron body
- Piston treated with Niploy
- White zinc plated support lever
- Lever connection Ø 27
- White zinc plated external parts
- Standard colour black
- Oil tank mounting kit included
- Pressure relief valve standard setting: 100 bar

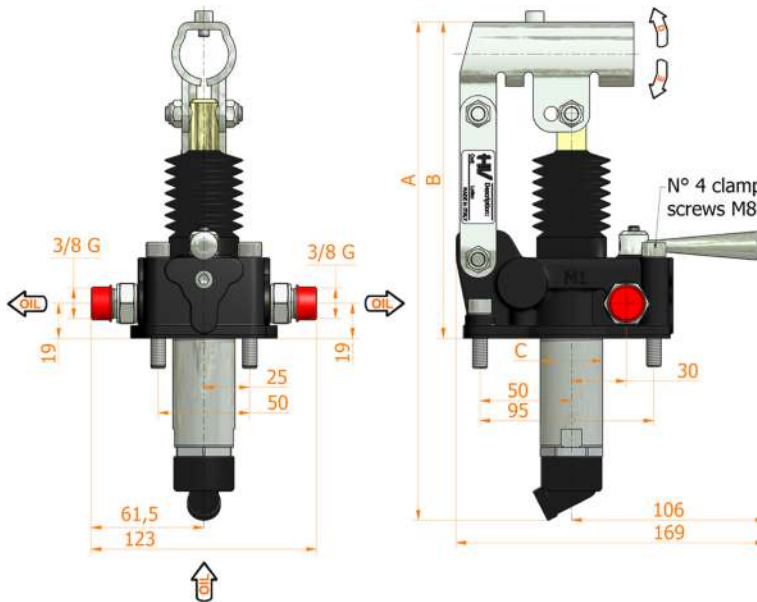
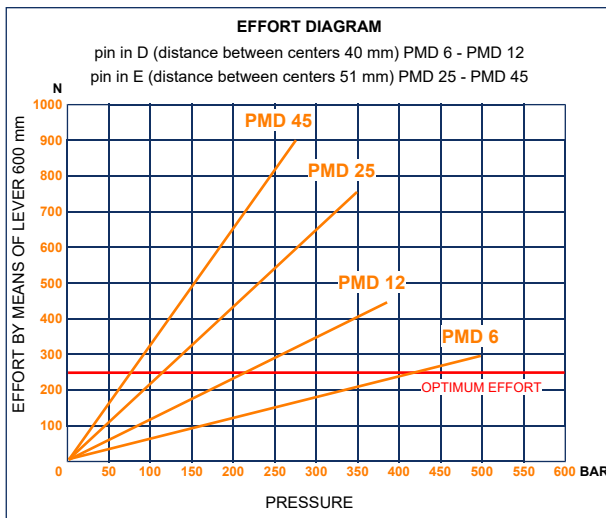
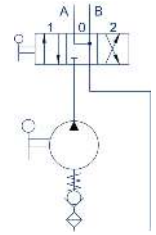
DISPLACEMENT cm ³	A mm	B mm	C mm	D °	E °	ACTUAL DISPLACEMENT cm ³	PRESSURE BAR		MASS KG	CODE WITHOUT BELLOWS	CODE WITH BELLOWS
							OPTIMAL	MAX			
6	253	166	34	26	31	6,970	420	500	3,400	6054.0021	6054.0048
12	253	166	34	26	31	12,095	220	380	3,400	6055.0021	6055.0048
25	273	172	34	30	30	25,280	120	350	3,450	6056.0021	6056.0048
45	283	172	40	45	33	44,532	80	280	3,500	6057.0021	6057.0048

HV Hydraulic S.r.l.



PMD 6-12-25-45 dna-s

with 4/3 flow divider open centre
double acting hand pump for a double acting cylinder
for fixing to tank



Specifications:

- Cast iron body
- Piston treated with Niploy
- White zinc plated support lever
- Lever connection Ø 27
- White zinc plated external parts
- Standard colour black
- Oil tank mounting kit included

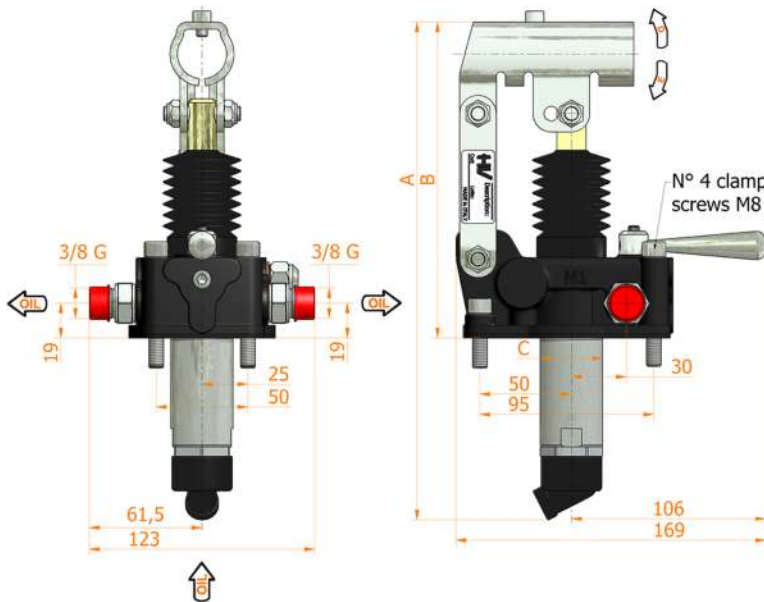
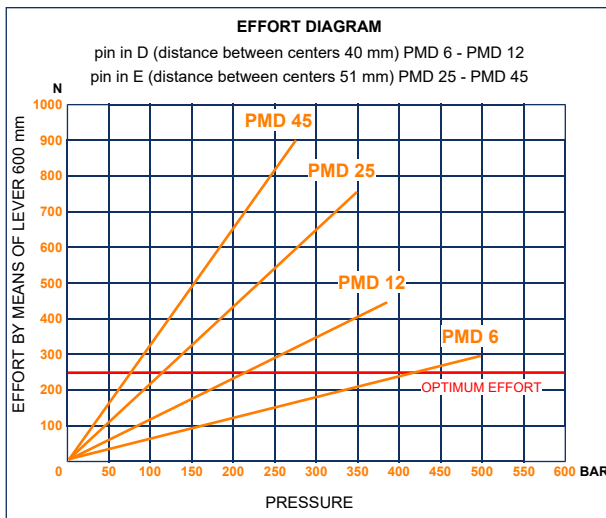
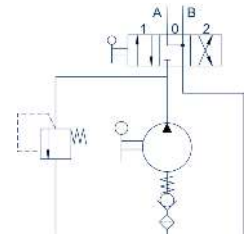
DISPLACEMENT cm ³	A mm	B mm	C mm	D °	E °	ACTUAL DISPLACEMENT cm ³	PRESSURE BAR		MASS KG	CODE WITHOUT BELLOWS	CODE WITH BELLOWS
							OPTIMAL	MAX			
6	253	166	34	26	31	6,970	420	500	3,400	6054.0023	6054.0050
12	253	166	34	26	31	12,095	220	380	3,400	6055.0023	6055.0050
25	273	172	34	30	30	25,280	120	350	3,450	6056.0023	6056.0050
45	283	172	40	45	33	44,532	80	280	3,500	6057.0023	6057.0050

HV Hydraulic S.r.l.

www.hvhydraulic.com - info@hvhydraulic.com
Via dell'Agricoltura, 162 - Loc. Castelletto di Serravalle - 40053 Valsamoggia (BO) Italy - Tel. +39 051 670.50.11 - Fax +39 051 670.53.74
© ALL RIGHTS RESERVED

PMD 6-12-25-45 dna-byB-s

with 4/3 flow divider open centre
with pressure relief valve
double acting hand pump for a double acting cylinder
for fixing to tank



Specifications:

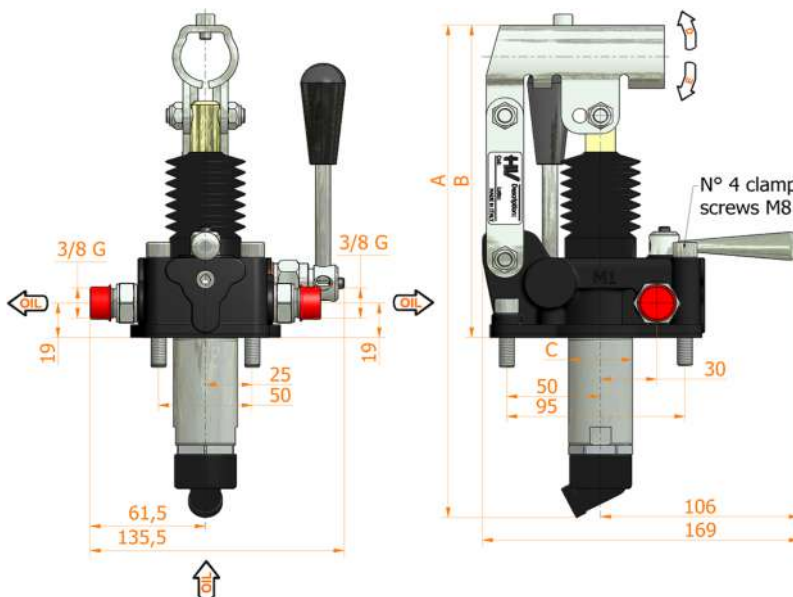
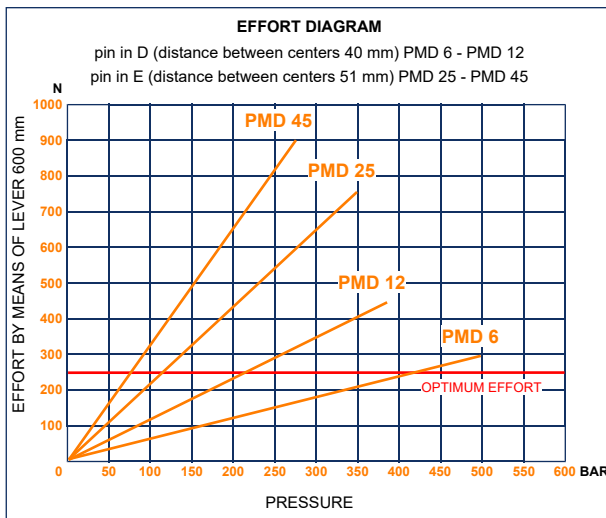
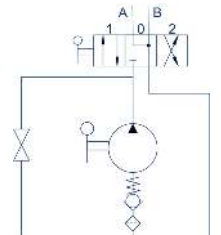
- Cast iron body
- Piston treated with Niploy
- White zinc plated support lever
- Lever connection Ø 27
- White zinc plated external parts
- Standard colour black
- Oil tank mounting kit included
- Pressure relief valve standard setting: 100 bar

DISPLACEMENT cm ³	A mm	B mm	C mm	D °	E °	ACTUAL DISPLACEMENT cm ³	PRESSURE BAR		MASS KG	CODE WITHOUT BELLOWS	CODE WITH BELLOWS
							OPTIMAL	MAX			
6	253	166	34	26	31	6,970	420	500	3,400	6054.0024	6054.0051
12	253	166	34	26	31	12,095	220	380	3,400	6055.0024	6055.0051
25	273	172	34	30	30	25,280	120	350	3,450	6056.0024	6056.0051
45	283	172	40	45	33	44,532	80	280	3,500	6057.0024	6057.0051



PMD 6-12-25-45 dna-L-s

with 4/3 flow divider open centre
with release lever
double acting hand pump for a double acting cylinder
for fixing to tank



Specifications:

- Cast iron body
- Piston treated with Niploy
- White zinc plated support lever
- Lever connection Ø 27
- White zinc plated external parts
- Standard colour black
- Oil tank mounting kit included

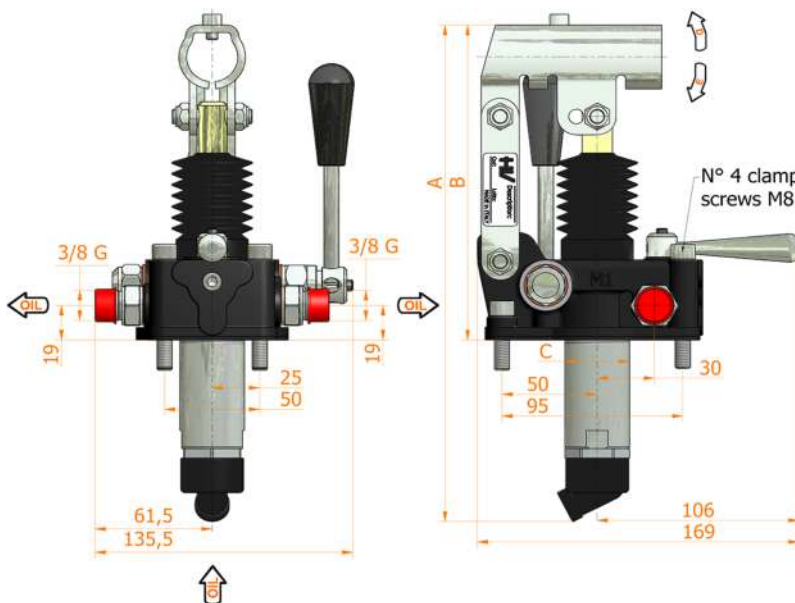
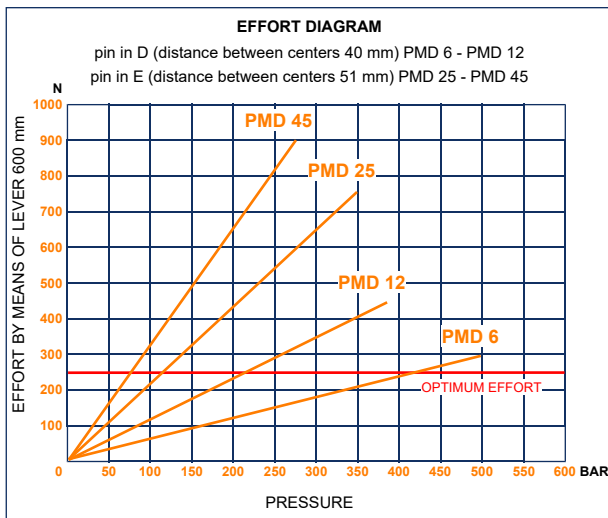
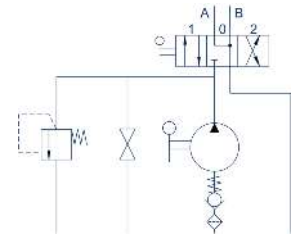
DISPLACEMENT cm ³	A mm	B mm	C mm	D °	E °	ACTUAL DISPLACEMENT cm ³	PRESSURE BAR		MASS KG	CODE WITHOUT BELLOWS	CODE WITH BELLOWS
							OPTIMAL	MAX			
6	253	166	34	26	31	6,970	420	500	3,400	6054.0025	6054.0052
12	253	166	34	26	31	12,095	220	380	3,400	6055.0025	6055.0052
25	273	172	34	30	30	25,280	120	350	3,450	6056.0025	6056.0052
45	283	172	40	45	33	44,532	80	280	3,500	6057.0025	6057.0052

HV Hydraulic S.r.l.



PMD 6-12-25-45 dna-byA-L-s

with 4/3 flow divider open centre
with release lever
with pressure relief valve
double acting hand pump for a double acting cylinder
for fixing to tank



Specifications:

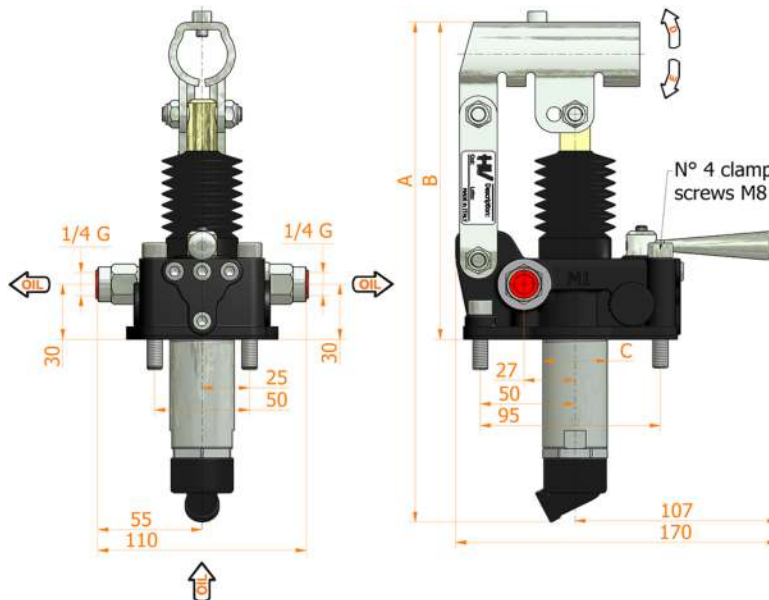
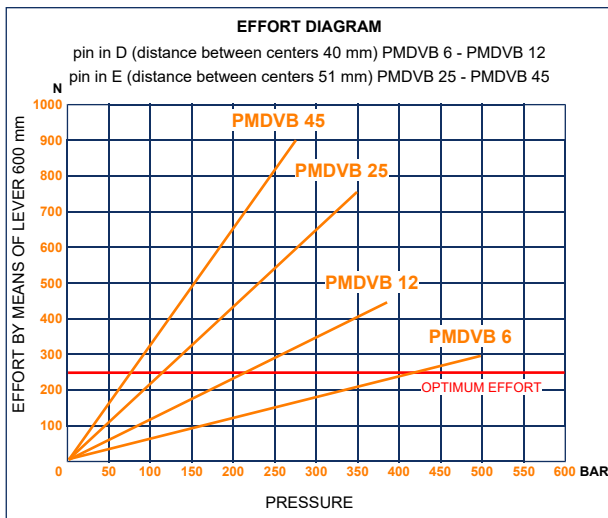
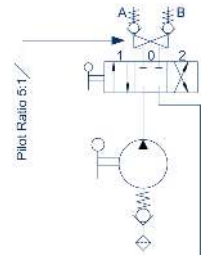
- Cast iron body
- Piston treated with Niploy
- White zinc plated support lever
- Lever connection Ø 27
- White zinc plated external parts
- Standard colour black
- Oil tank mounting kit included
- Pressure relief valve standard setting: 100 bar

DISPLACEMENT cm ³	A mm	B mm	C mm	D °	E °	ACTUAL DISPLACEMENT cm ³	PRESSURE BAR		MASS KG	CODE WITHOUT BELLOWS	CODE WITH BELLOWS
							OPTIMAL	MAX			
6	253	166	34	26	31	6,970	420	500	3,400	6054.0026	6054.0053
12	253	166	34	26	31	12,095	220	380	3,400	6055.0026	6055.0053
25	273	172	34	30	30	25,280	120	350	3,450	6056.0026	6056.0053
45	283	172	40	45	33	44,532	80	280	3,500	6057.0026	6057.0053



PMDVB 6-12-25-45 cc-s

with 4/3 diverter closed centre
with dual pilot check valve
with brakes
double acting hand pump for a double acting cylinder
for fixing to tank



Specifications:

- Cast iron body
- Piston treated with Niploy
- White zinc plated support lever
- Lever connection Ø 27
- White zinc plated external parts
- Standard colour black
- Oil tank mounting kit included
- With hydraulic brakes to operate under 50 bar pressure

DISPLACEMENT cm ³	A mm	B mm	C mm	D °	E °	ACTUAL DISPLACEMENT cm ³	PRESSURE BAR		MASS KG	CODE WITHOUT BELLOWS	CODE WITH BELLOWS
							OPTIMAL	MAX			
6	253	166	34	26	31	6,970	420	500	3,400	6059.0100	6059.0101
12	253	166	34	26	31	12,095	220	380	3,400	6060.0100	6060.0101
25	273	172	34	30	30	25,280	120	350	3,450	6061.0100	6061.0101
45	283	172	40	45	33	44,532	80	280	3,500	6062.0100	6062.0101

HV Hydraulic S.r.l.

www.hvhydraulic.com - info@hvhydraulic.com

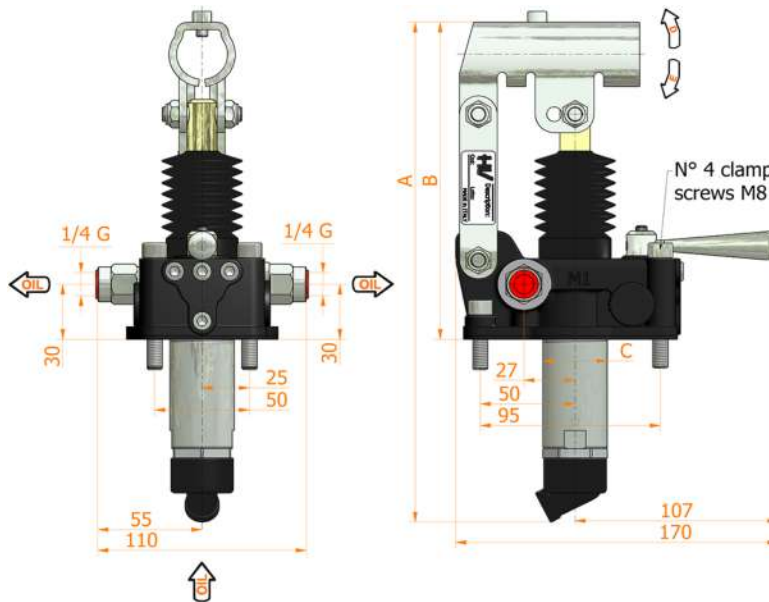
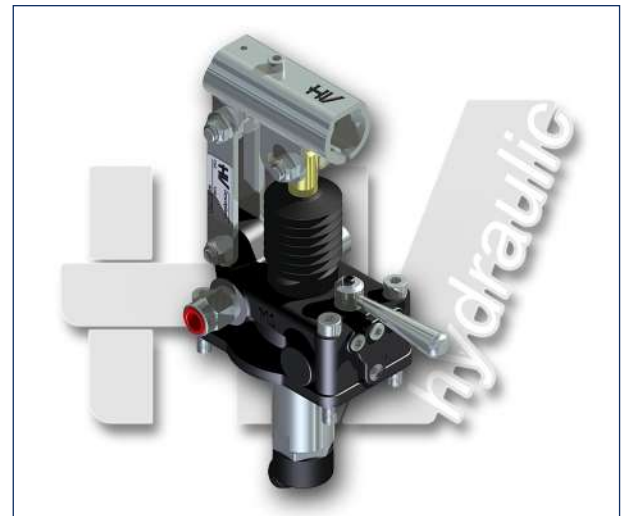
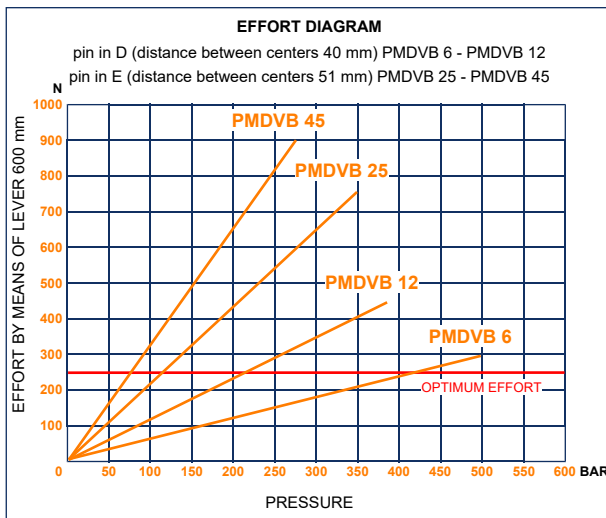
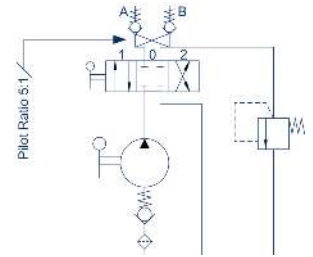
Via dell'Agricoltura, 162 - Loc. Castelletto di Serravalle - 40053 Valsamoggia (BO) Italy - Tel. +39 051 670.50.11 - Fax +39 051 670.53.74

© ALL RIGHTS RESERVED



PMDVB 6-12-25-45 cc-byB-s

with 4/3 diverter closed centre
 with dual pilot check valve
 with brakes - with pressure relief valve
 double acting hand pump for a double acting cylinder
 for fixing to tank



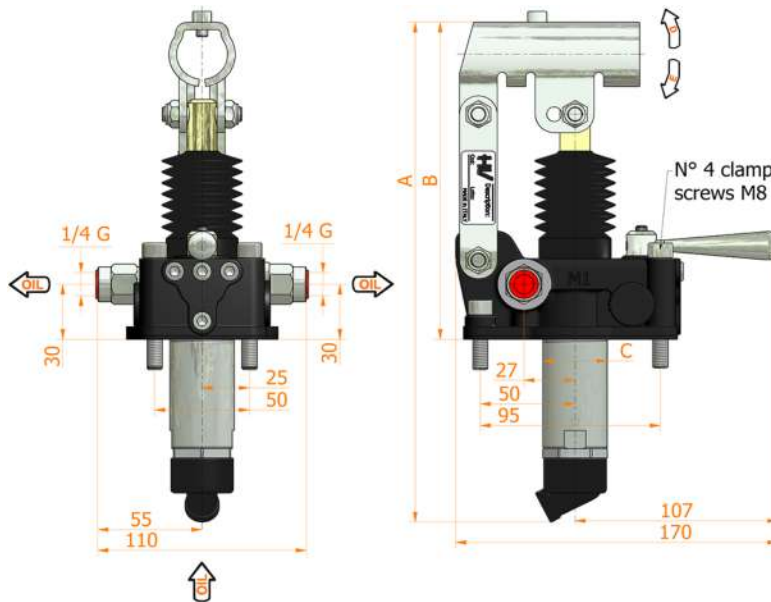
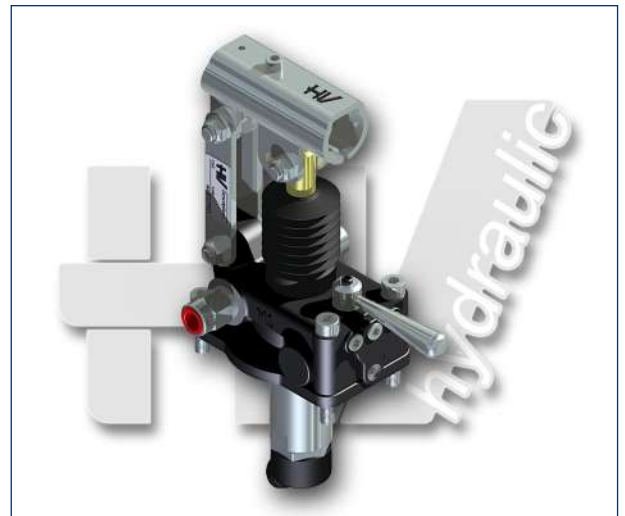
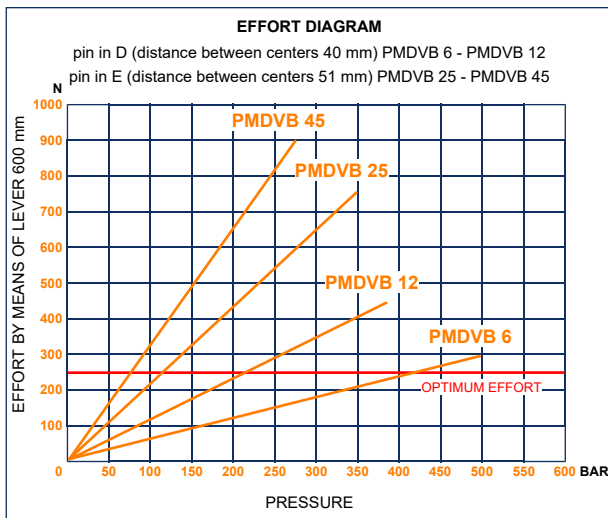
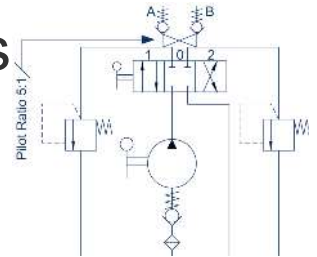
Specifications:

- Cast iron body
- Piston treated with Niploy
- White zinc plated support lever
- Lever connection Ø 27
- White zinc plated external parts
- Standard colour black
- Oil tank mounting kit included
- With hydraulic brakes to operate under 50 bar pressure
- Pressure relief valve standard setting: 100 bar

DISPLACEMENT cm ³	A mm	B mm	C mm	D °	E °	ACTUAL DISPLACEMENT cm ³	PRESSURE BAR		MASS KG	CODE WITHOUT BELLOWS	CODE WITH BELLOWS
							OPTIMAL	MAX			
6	253	166	34	26	31	6,970	420	500	3,400	6059.0102	6059.0103
12	253	166	34	26	31	12,095	220	380	3,400	6060.0102	6060.0103
25	273	172	34	30	30	25,280	120	350	3,450	6061.0102	6061.0103
45	283	172	40	45	33	44,532	80	280	3,500	6062.0102	6062.0103

PMDVB 6-12-25-45 cc-byAB-s

with 4/3 diverter closed centre
 with dual pilot check valve
 with brakes - with pressure relief valve
 double acting hand pump for a double acting cylinder
 for fixing to tank



Specifications:

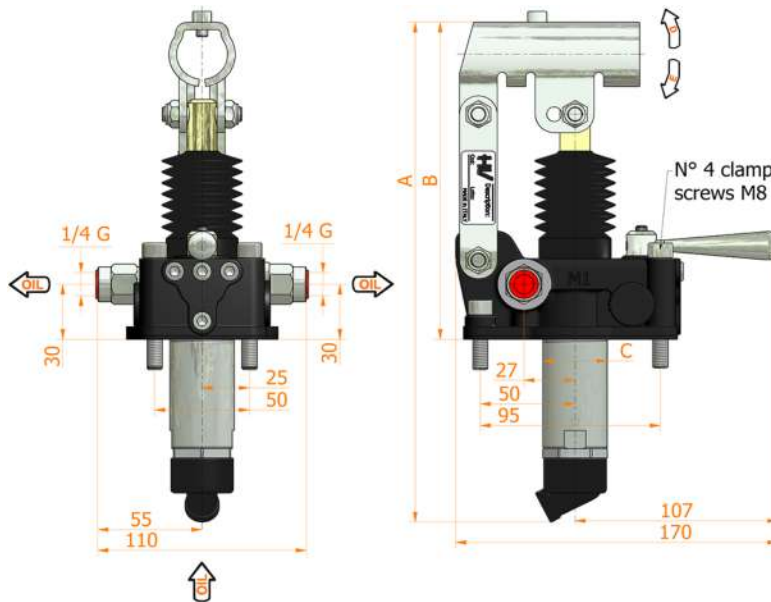
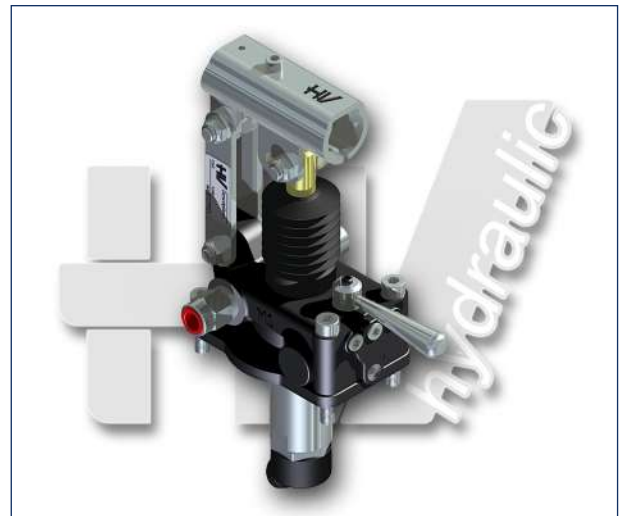
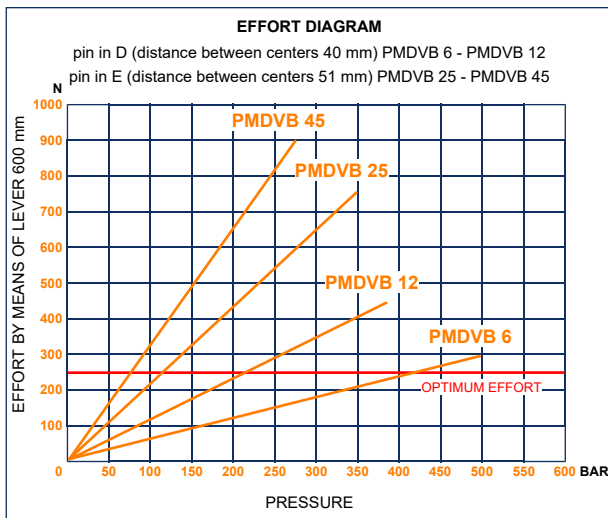
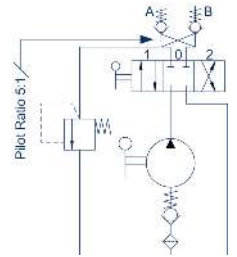
- Cast iron body
- Piston treated with Niploy
- White zinc plated support lever
- Lever connection Ø 27
- White zinc plated external parts
- Standard colour black
- Oil tank mounting kit included
- With hydraulic brakes to operate under 50 bar pressure
- Pressure relief valve standard setting: 100 bar

DISPLACEMENT cm ³	A mm	B mm	C mm	D °	E °	ACTUAL DISPLACEMENT cm ³	PRESSURE BAR		MASS KG	CODE WITHOUT BELLOWS	CODE WITH BELLOWS
							OPTIMAL	MAX			
6	253	166	34	26	31	6,970	420	500	3,400	6059.0104	6059.0105
12	253	166	34	26	31	12,095	220	380	3,400	6060.0104	6060.0105
25	273	172	34	30	30	25,280	120	350	3,450	6061.0104	6061.0105
45	283	172	40	45	33	44,532	80	280	3,500	6062.0104	6062.0105

HV Hydraulic S.r.l.

PMDVB 6-12-25-45 cc-byA-s

with 4/3 diverter closed centre
 with dual pilot check valve
 with brakes - with pressure relief valve
 double acting hand pump for a double acting cylinder
 for fixing to tank



Specifications:

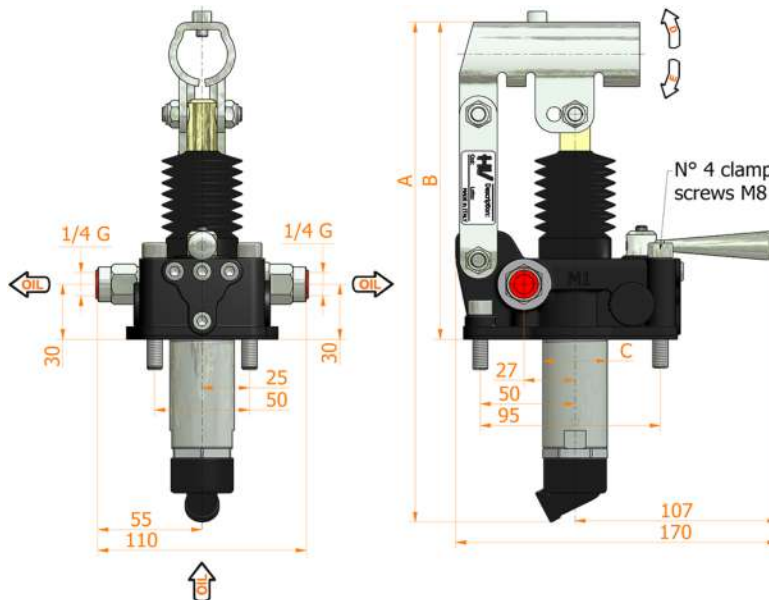
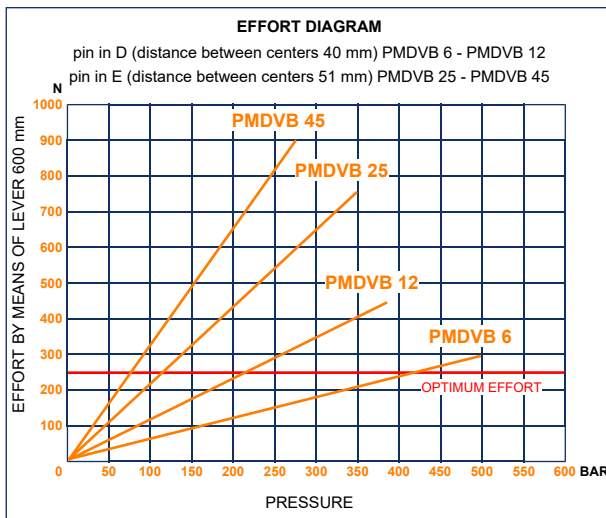
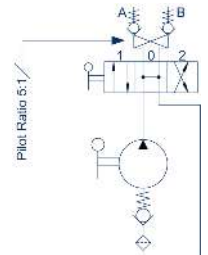
- Cast iron body
- Piston treated with Niploy
- White zinc plated support lever
- Lever connection Ø 27
- White zinc plated external parts
- Standard colour black
- Oil tank mounting kit included
- With hydraulic brakes to operate under 50 bar pressure
- Pressure relief valve standard setting: 100 bar

DISPLACEMENT cm ³	A mm	B mm	C mm	D °	E °	ACTUAL DISPLACEMENT cm ³	PRESSURE BAR		MASS KG	CODE WITHOUT BELLOWS	CODE WITH BELLOWS
							OPTIMAL	MAX			
6	253	166	34	26	31	6,970	420	500	3,400	6059.0106	6059.0107
12	253	166	34	26	31	12,095	220	380	3,400	6060.0106	6060.0107
25	273	172	34	30	30	25,280	120	350	3,450	6061.0106	6061.0107
45	283	172	40	45	33	44,532	80	280	3,500	6062.0106	6062.0107



PMDVB 6-12-25-45 ca-s

with 4/3 diverter opened centre
with dual pilot check valve
with brakes
double acting hand pump for a double acting cylinder
for fixing to tank



Specifications:

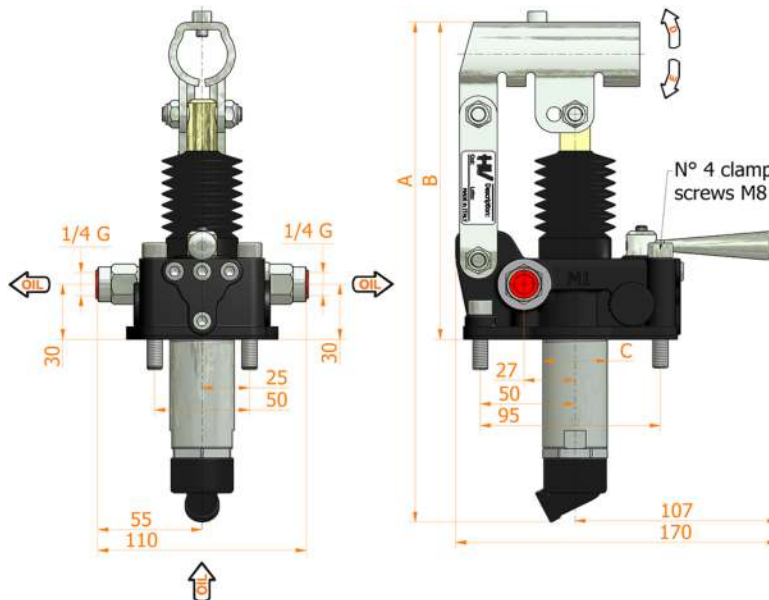
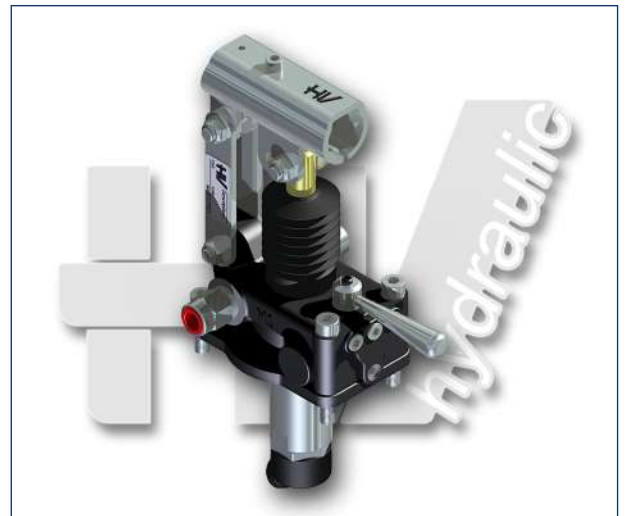
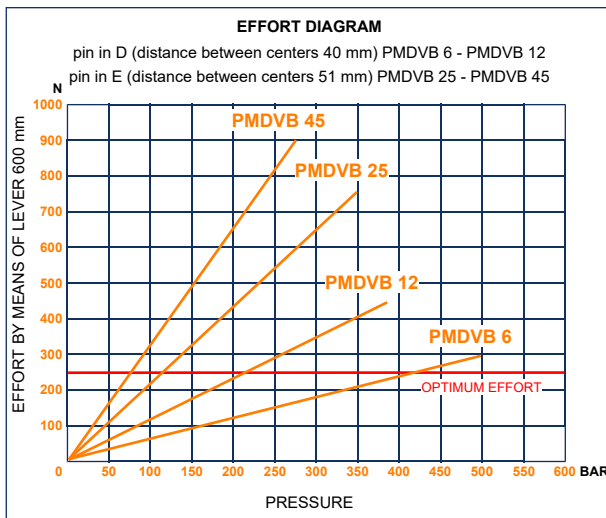
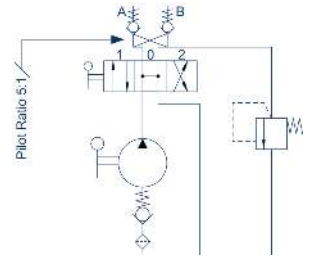
- Cast iron body
- Piston treated with Niploy
- White zinc plated support lever
- Lever connection Ø 27
- White zinc plated external parts
- Standard colour black
- Oil tank mounting kit included
- With hydraulic brakes to operate under 50 bar pressure

DISPLACEMENT cm ³	A mm	B mm	C mm	D °	E °	ACTUAL DISPLACEMENT cm ³	PRESSURE BAR		MASS KG	CODE WITHOUT BELLOWS	CODE WITH BELLOWS
							OPTIMAL	MAX			
6	253	166	34	26	31	6,970	420	500	3,400	6059.0300	6059.0301
12	253	166	34	26	31	12,095	220	380	3,400	6060.0300	6060.0301
25	273	172	34	30	30	25,280	120	350	3,450	6061.0300	6061.0301
45	283	172	40	45	33	44,532	80	280	3,500	6062.0300	6062.0301



PMDVB 6-12-25-45 ca-byB-s

with 4/3 diverter opened centre
 with dual pilot check valve
 with brakes - with pressure relief valve
 double acting hand pump for a double acting cylinder
 for fixing to tank



Specifications:

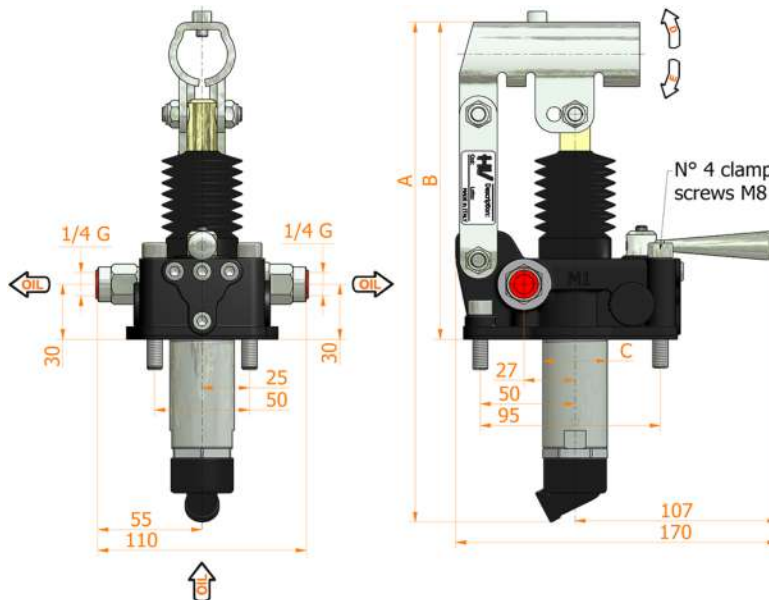
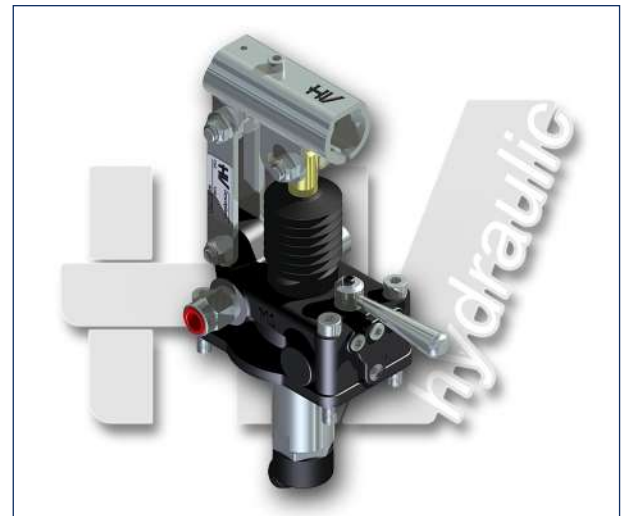
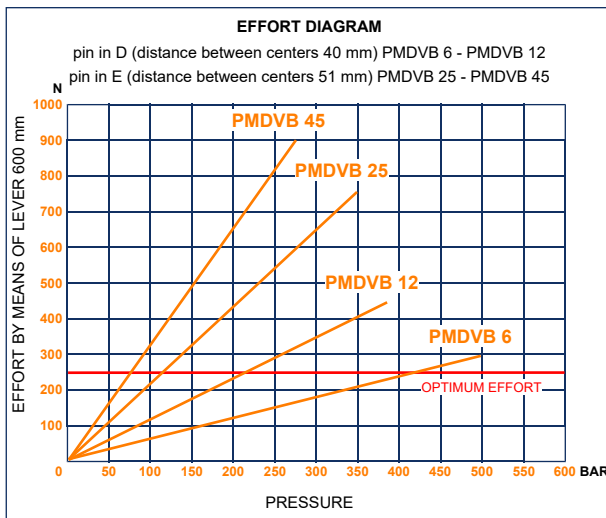
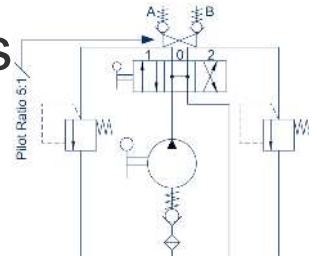
- Cast iron body
- Piston treated with Niploy
- White zinc plated support lever
- Lever connection Ø 27
- White zinc plated external parts
- Standard colour black
- Oil tank mounting kit included
- With hydraulic brakes to operate under 50 bar pressure
- Pressure relief valve standard setting: 100 bar

DISPLACEMENT cm ³	A mm	B mm	C mm	D °	E °	ACTUAL DISPLACEMENT cm ³	PRESSURE BAR		MASS KG	CODE WITHOUT BELLOWS	CODE WITH BELLOWS
							OPTIMAL	MAX			
6	253	166	34	26	31	6,970	420	500	3,400	6059.0302	6059.0303
12	253	166	34	26	31	12,095	220	380	3,400	6060.0302	6060.0303
25	273	172	34	30	30	25,280	120	350	3,450	6061.0302	6061.0303
45	283	172	40	45	33	44,532	80	280	3,500	6062.0302	6062.0303



PMDVB 6-12-25-45 ca-byAB-s

with 4/3 diverter opened centre
 with dual pilot check valve
 with brakes - with pressure relief valve
 double acting hand pump for a double acting cylinder
 for fixing to tank



Specifications:

- Cast iron body
- Piston treated with Niploy
- White zinc plated support lever
- Lever connection Ø 27
- White zinc plated external parts
- Standard colour black
- Oil tank mounting kit included
- With hydraulic brakes to operate under 50 bar pressure
- Pressure relief valve standard setting: 100 bar

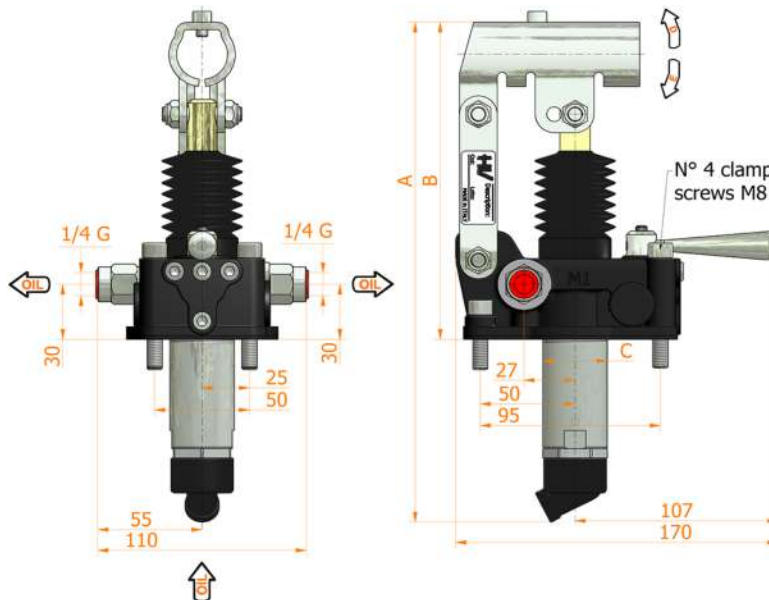
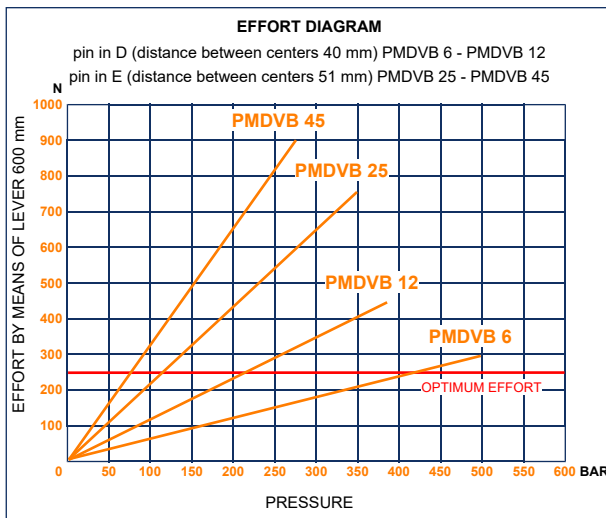
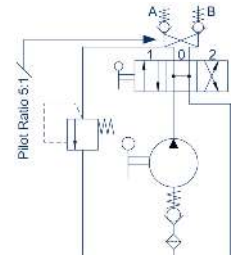
DISPLACEMENT cm ³	A mm	B mm	C mm	D °	E °	ACTUAL DISPLACEMENT cm ³	PRESSURE BAR		MASS KG	CODE WITHOUT BELLOWS	CODE WITH BELLOWS
							OPTIMAL	MAX			
6	253	166	34	26	31	6,970	420	500	3,400	6059.0304	6059.0305
12	253	166	34	26	31	12,095	220	380	3,400	6060.0304	6060.0305
25	273	172	34	30	30	25,280	120	350	3,450	6061.0304	6061.0305
45	283	172	40	45	33	44,532	80	280	3,500	6062.0304	6062.0305

HV Hydraulic S.r.l.

www.hvhydraulic.com - info@hvhydraulic.com
 Via dell'Agricoltura, 162 - Loc. Castelletto di Serravalle - 40053 Valsamoggia (BO) Italy - Tel. +39 051 670.50.11 - Fax +39 051 670.53.74
 © ALL RIGHTS RESERVED

PMDVB 6-12-25-45 ca-byA-s

with 4/3 diverter opened centre
 with dual pilot check valve
 with brakes - with pressure relief valve
 double acting hand pump for a double acting cylinder
 for fixing to tank



Specifications:

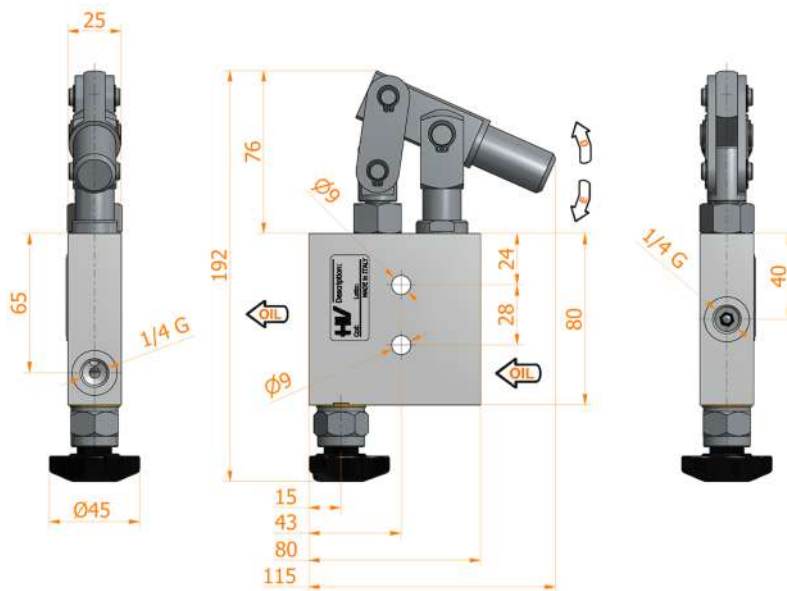
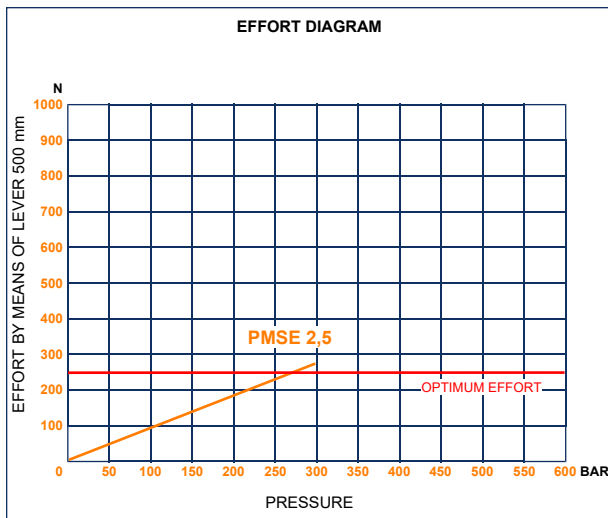
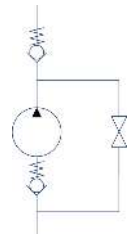
- Cast iron body
- Piston treated with Niploy
- White zinc plated support lever
- Lever connection Ø 27
- White zinc plated external parts
- Standard colour black
- Oil tank mounting kit included
- With hydraulic brakes to operate under 50 bar pressure
- Pressure relief valve standard setting: 100 bar

DISPLACEMENT cm ³	A mm	B mm	C mm	D °	E °	ACTUAL DISPLACEMENT cm ³	PRESSURE BAR		MASS KG	CODE WITHOUT BELLOWS	CODE WITH BELLOWS
							OPTIMAL	MAX			
6	253	166	34	26	31	6,970	420	500	3,400	6059.0306	6059.0307
12	253	166	34	26	31	12,095	220	380	3,400	6060.0306	6060.0307
25	273	172	34	30	30	25,280	120	350	3,450	6061.0306	6061.0307
45	283	172	40	45	33	44,532	80	280	3,500	6062.0306	6062.0307



PMSE 2,5

with release hand wheel
single acting hand pump for a single acting cylinder
for fixing to wall



Specifications:

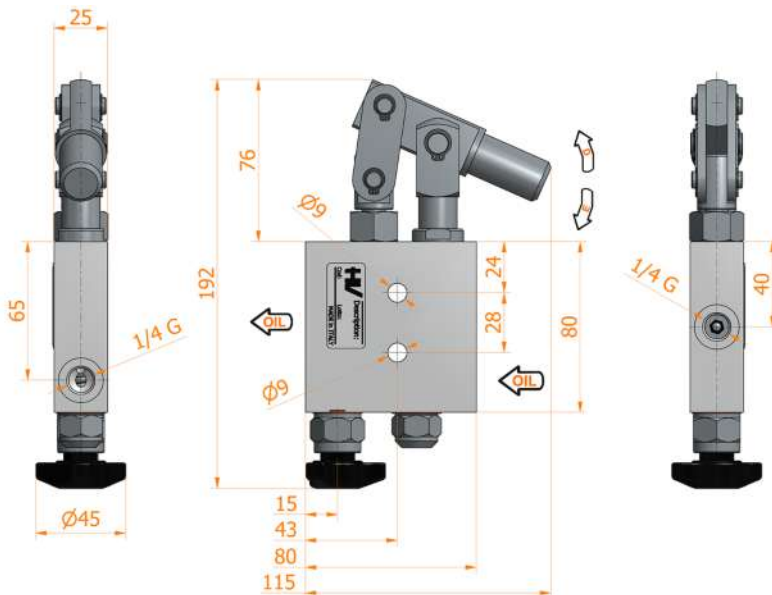
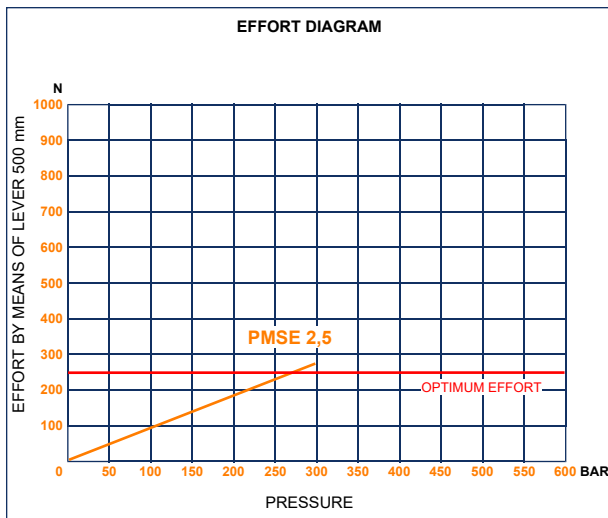
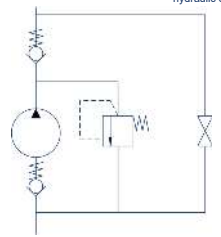
- Aluminum body
- Piston treated with Niploy
- Hold lever of zinc plated steel
- Lever connection of diam. 20
- External parts of zinc plated steel

DISPLACEMENT cm ³	A mm	B mm	C mm	D °	E °	ACTUAL DISPLACEMENT cm ³	PRESSURE BAR		MASS KG	CODE
							OPTIMAL	MAX		
2,5	--	--	--	9	24	2,610	270	300	1,200	6064.0000

hydraulic diagram

PMSE 2,5 byB

with release hand wheel
with pressure relief valve
single acting hand pump for a single acting cylinder
for fixing to wall



Specifications:

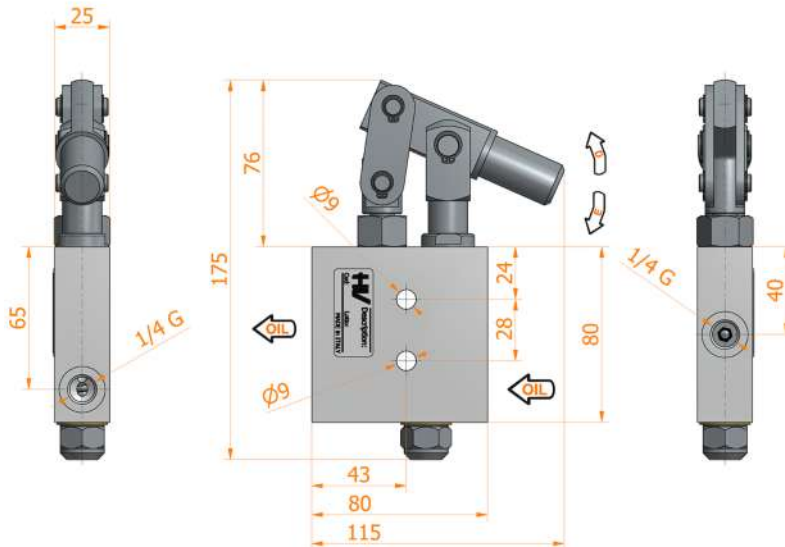
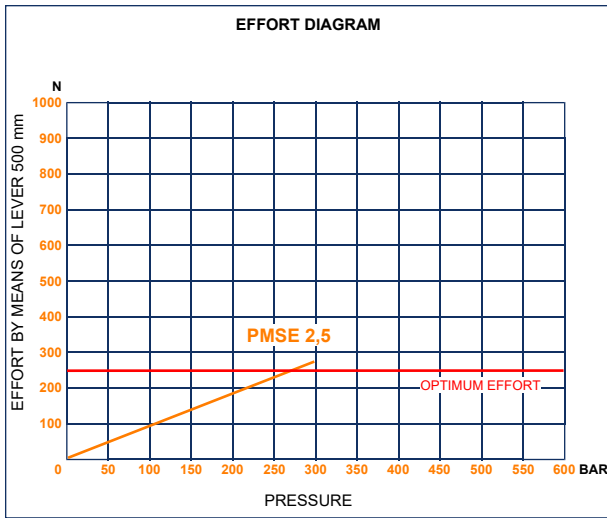
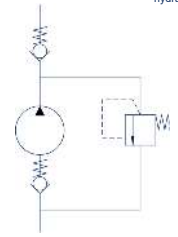
- Aluminum body
- Piston treated with Niploy
- Hold lever of zinc plated steel
- Lever connection of diam. 20
- External parts of zinc plated steel
- Pressure relief valve standard setting of 100 bar

DISPLACEMENT cm ³	A mm	B mm	C mm	D °	E °	ACTUAL DISPLACEMENT cm ³	PRESSURE BAR		MASS KG	CODE
							OPTIMAL	MAX		
2,5	--	--	--	9	24	2,610	270	300	1,200	6064.0002



PMSE 2,5 byB-e

without release hand wheel
with pressure relief valve
single acting hand pump for a single acting cylinder
for fixing to wall



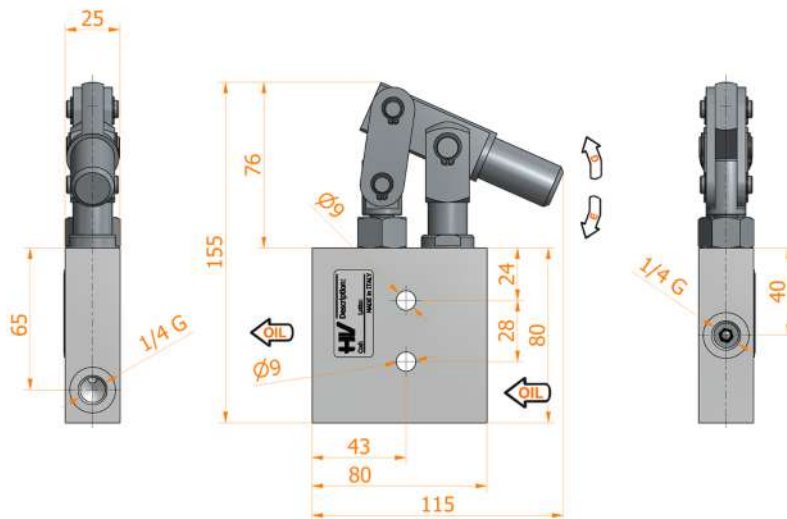
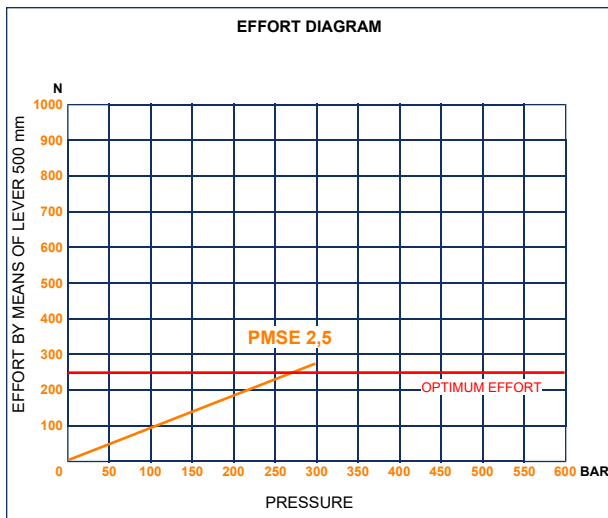
- Specifications:**
- Aluminum body
 - Piston treated with Niploy
 - Hold lever of zinc plated steel
 - Lever connection of diam. 20
 - External parts of zinc plated steel
 - Pressure relief valve standard setting of 100 bar

DISPLACEMENT cm ³	A mm	B mm	C mm	D °	E °	ACTUAL DISPLACEMENT cm ³	PRESSURE BAR		MASS KG	CODE
							OPTIMAL	MAX		
2,5	--	--	--	9	24	2,610	270	300	1,200	6064.0005



PMSE 2,5 e

without release hand wheel
single acting hand pump for a single acting cylinder
for fixing to wall



Specifications:

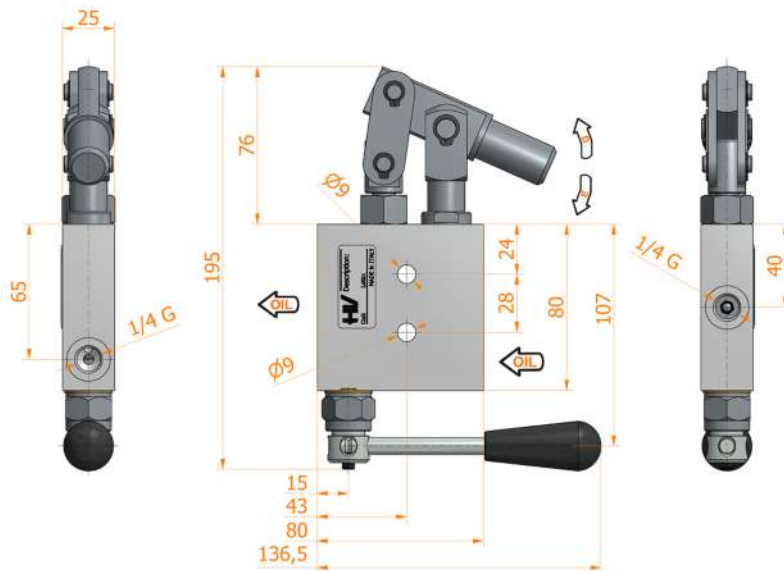
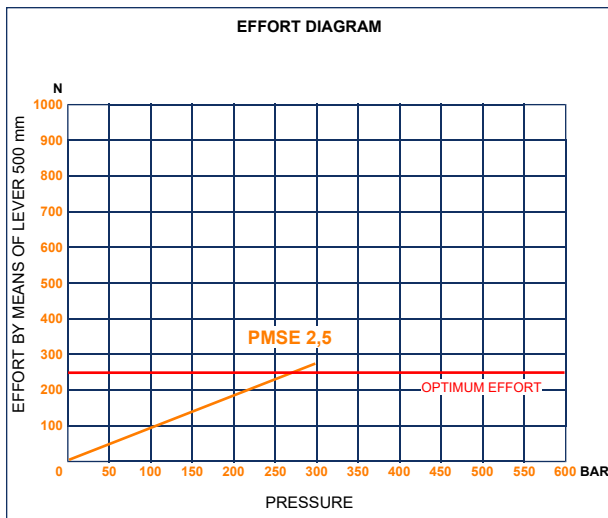
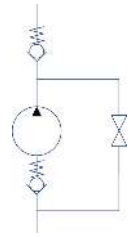
- Aluminum body
- Piston treated with Niploy
- Hold lever of zinc plated steel
- Lever connection of diam. 20
- External parts of zinc plated steel

DISPLACEMENT cm ³	A mm	B mm	C mm	D °	E °	ACTUAL DISPLACEMENT cm ³	PRESSURE BAR		MASS KG	CODE
							OPTIMAL	MAX		
2,5	--	--	--	9	24	2,610	270	300	1,200	6064.0004



PMSE 2,5 L

with release lever
single acting hand pump for a single acting cylinder
for fixing to wall



Specifications:

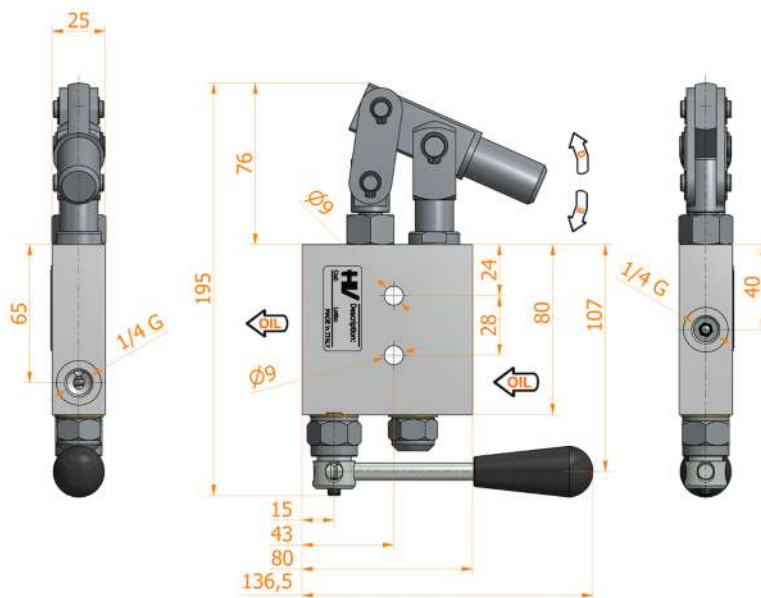
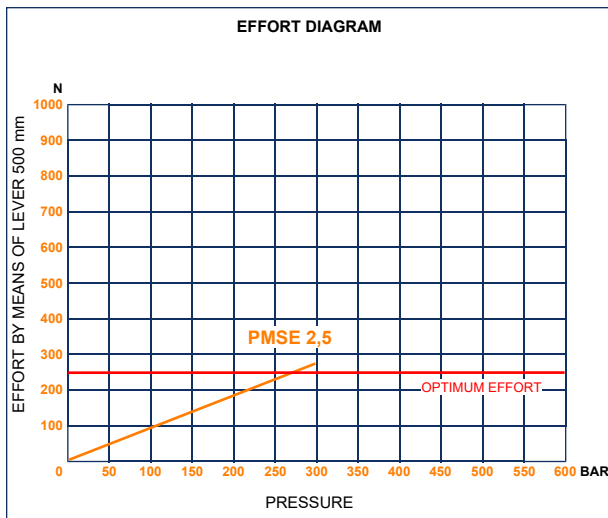
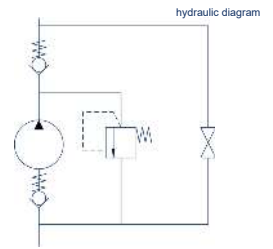
- Aluminum body
- Piston treated with Niploy
- Hold lever of zinc plated steel
- Lever connection of diam. 20
- External parts of zinc plated steel

DISPLACEMENT cm ³	A mm	B mm	C mm	D °	E °	ACTUAL DISPLACEMENT cm ³	PRESSURE BAR		MASS KG	CODE
							OPTIMAL	MAX		
2,5	--	--	--	9	24	2,610	270	300	1,200	6064.0001



PMSE 2,5 L-byB

with release lever
with pressure relief valve
single acting hand pump for a single acting cylinder
for fixing to wall



Specifications:

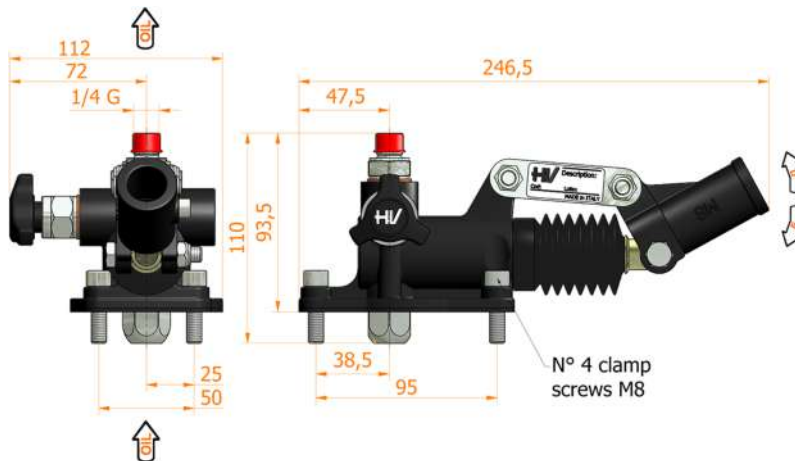
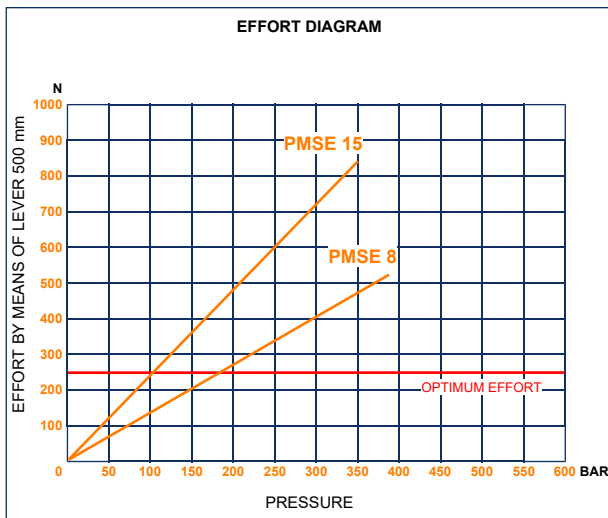
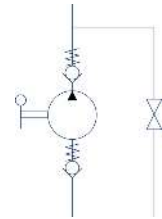
- Aluminum body
- Piston treated with Niploy
- Hold lever of zinc plated steel
- Lever connection of diam. 20
- External parts of zinc plated steel
- Pressure relief valve standard setting of 100 bar

DISPLACEMENT cm ³	A mm	B mm	C mm	D °	E °	ACTUAL DISPLACEMENT cm ³	PRESSURE BAR		MASS KG	CODE
							OPTIMAL	MAX		
2,5	--	--	--	9	24	2,610	270	300	1,200	6064.0003



PMSE 8-15 s

with release hand knob
single acting hand pump for a single acting cylinder
for fixing to tank



Specifications:

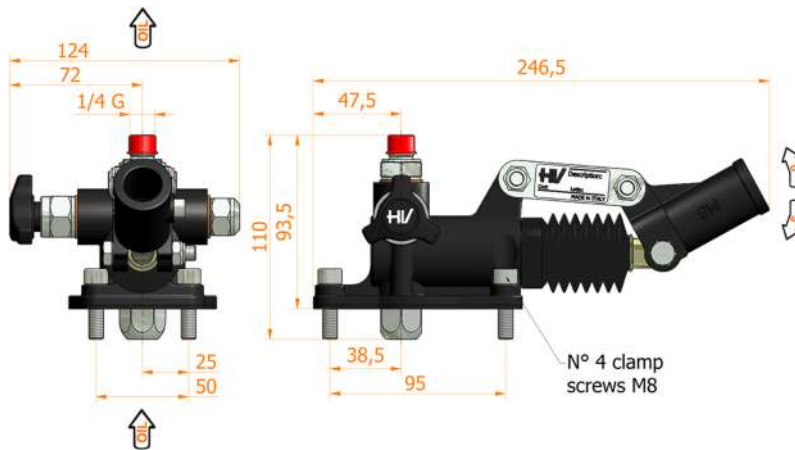
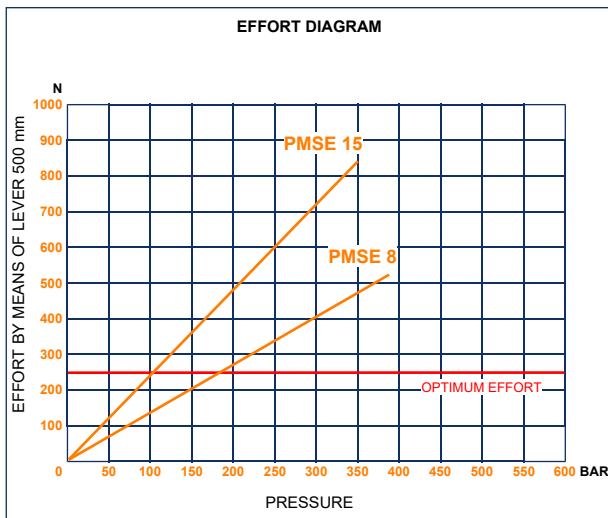
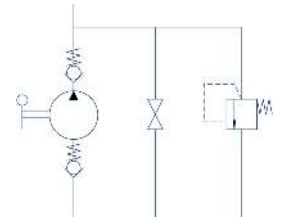
- Cast iron body
- Piston treated with Niploy
- Iron cast support lever
- Lever connection Ø 20
- White zinc plated external parts
- Standard colour black
- Oil tank mounting kit included

DISPLACEMENT cm ³	A mm	B mm	C mm	D °	E °	ACTUAL DISPLACEMENT cm ³	PRESSURE BAR		MASS KG	CODE WITHOUT BELLOWS	CODE WITH BELLOWS
							OPTIMAL	MAX			
8	--	--	--	30	26	8,042	180	380	3,200	6065.0010	6065.0037
15	--	--	--	30	26	15,205	110	350	3,200	6066.0010	6066.0037



PMSE 8-15 byB-s

with release hand knob
with pressure relief valve
single acting hand pump for a single acting cylinder
for fixing to tank



Specifications:

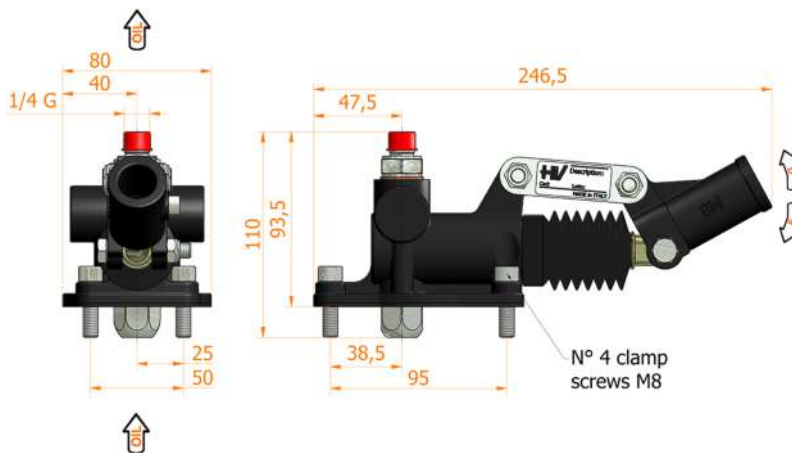
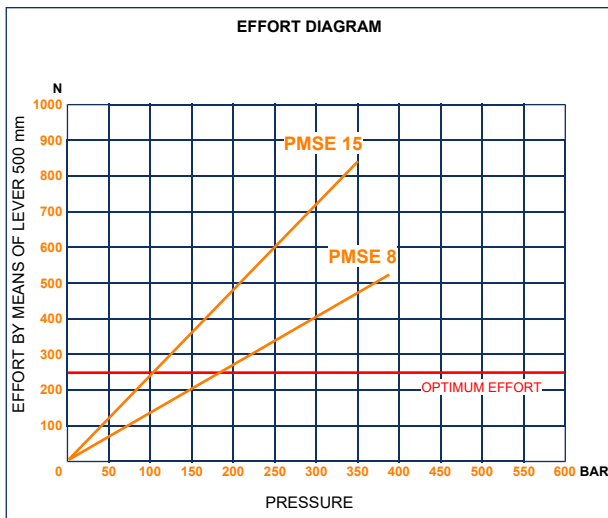
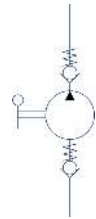
- Cast iron body
- Piston treated with Niploy
- Iron cast support lever
- Lever connection Ø 20
- White zinc plated external parts
- Standard colour black
- Oil tank mounting kit included
- Pressure relief valve standard setting: 100 bar

DISPLACEMENT cm ³	A mm	B mm	C mm	D °	E °	ACTUAL DISPLACEMENT cm ³	PRESSURE BAR		MASS KG	CODE WITHOUT BELLOWS	CODE WITH BELLOWS
							OPTIMAL	MAX			
8	--	--	--	30	26	8,042	180	380	3,200	6065.0011	6065.0038
15	--	--	--	30	26	15,205	110	350	3,200	6066.0011	6066.0038



PMSE 8-15 e-s

without release hand knob
single acting hand pump for a single acting cylinder
for fixing to tank



Specifications:

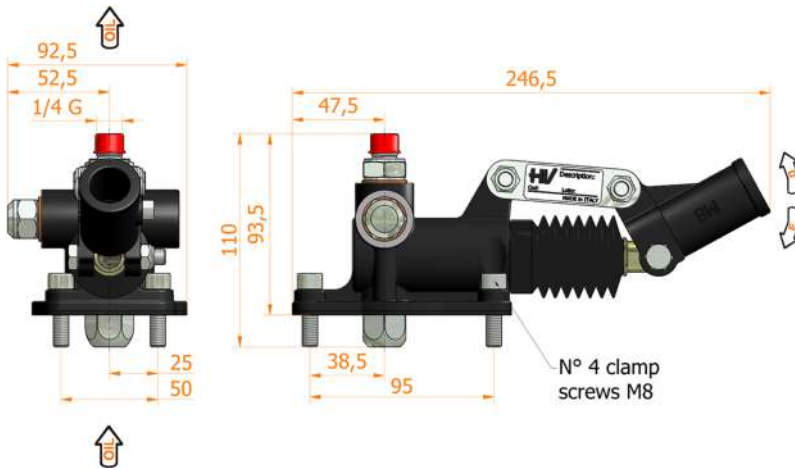
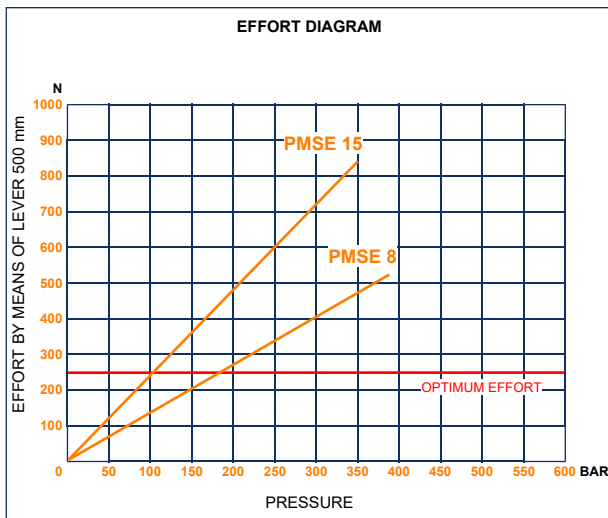
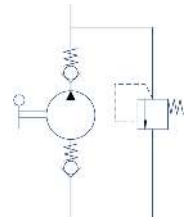
- Cast iron body
- Piston treated with Niploy
- Iron cast support lever
- Lever connection Ø 20
- White zinc plated external parts
- Standard colour black
- Oil tank mounting kit included

DISPLACEMENT cm ³	A mm	B mm	C mm	D °	E °	ACTUAL DISPLACEMENT cm ³	PRESSURE BAR		MASS KG	CODE WITHOUT BELLOWS	CODE WITH BELLOWS
							OPTIMAL	MAX			
8	--	--	--	30	26	8,042	180	380	3,200	6065.0012	6065.0039
15	--	--	--	30	26	15,205	110	350	3,200	6066.0012	6066.0039



PMSE 8-15 byA-e-s

without release hand knob
with pressure relief valve
single acting hand pump for a single acting cylinder
for fixing to tank



Specifications:

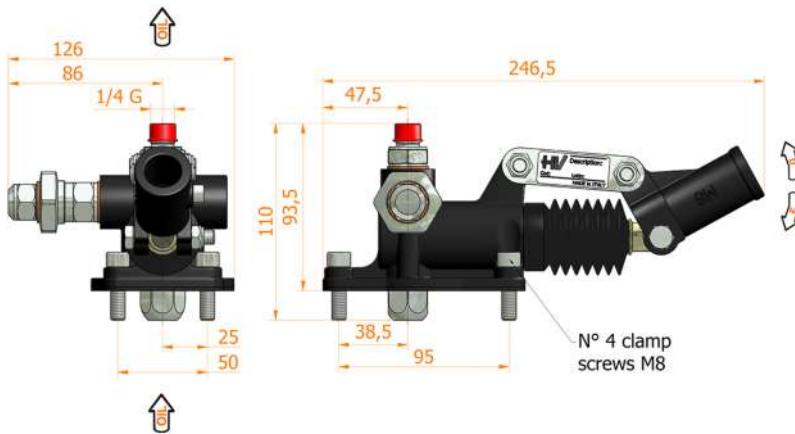
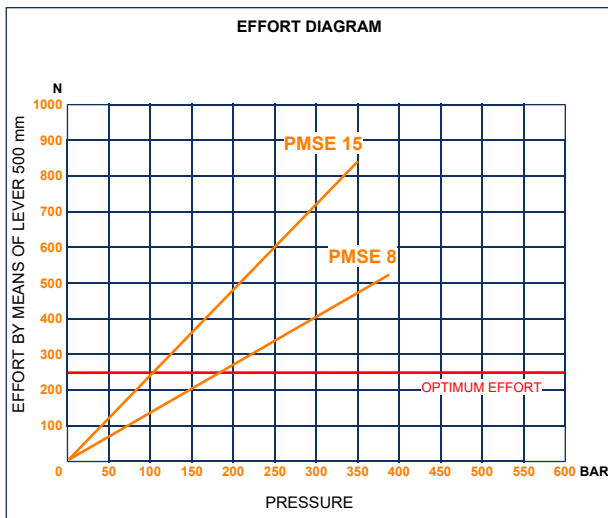
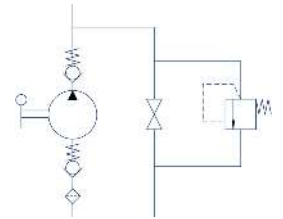
- Cast iron body
- Piston treated with Niploy
- Iron cast support lever
- Lever connection Ø 20
- White zinc plated external parts
- Standard colour black
- Oil tank mounting kit included
- Pressure relief valve standard setting: 100 bar

DISPLACEMENT cm ³	A mm	B mm	C mm	D °	E °	ACTUAL DISPLACEMENT cm ³	PRESSURE BAR		MASS KG	CODE WITHOUT BELLOWS	CODE WITH BELLOWS
							OPTIMAL	MAX			
8	--	--	--	30	26	8,042	180	380	3,200	6065.0013	6065.0040
15	--	--	--	30	26	15,205	110	350	3,200	6066.0013	6066.0040



PMSE 8-15 byA-s

with release hand knob
with integrated pressure relief valve
single acting hand pump for a single acting cylinder
for fixing to tank



Specifications:

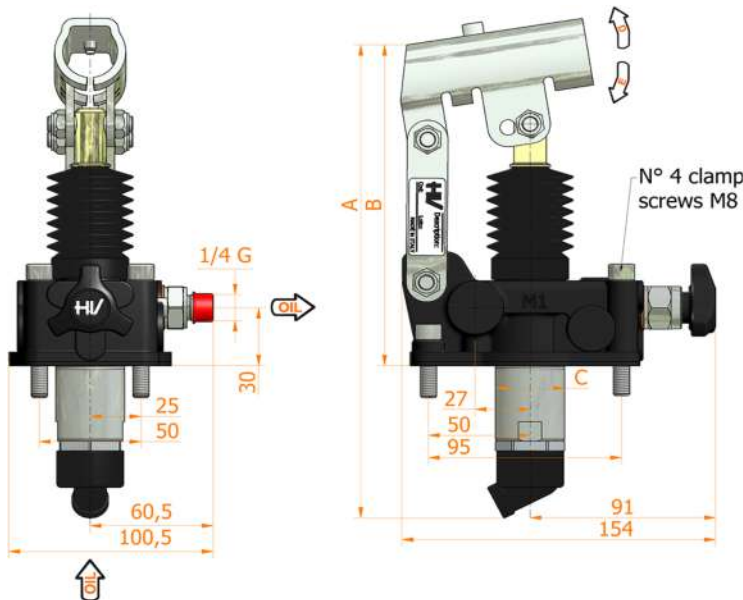
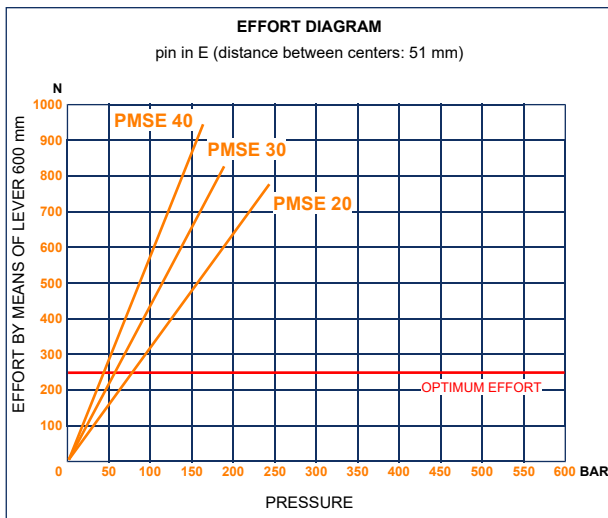
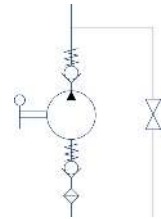
- Cast iron body
- Piston treated with Niploy
- Iron cast support lever
- Lever connection Ø 20
- White zinc plated external parts
- Standard colour black
- Oil tank mounting kit included
- Pressure relief valve standard setting: 100 bar

DISPLACEMENT cm ³	A mm	B mm	C mm	D °	E °	ACTUAL DISPLACEMENT cm ³	PRESSURE BAR		MASS KG	CODE WITHOUT BELLOWS	CODE WITH BELLOWS
							OPTIMAL	MAX			
8	--	--	--	30	26	8,042	180	380	3,200	6065.0014	6065.0041
15	--	--	--	30	26	15,205	110	350	3,200	6066.0014	6066.0041



PMSE 20-30-40 s

with release hand knob
single acting hand pump for a single acting cylinder
for fixing to tank



Specifications:

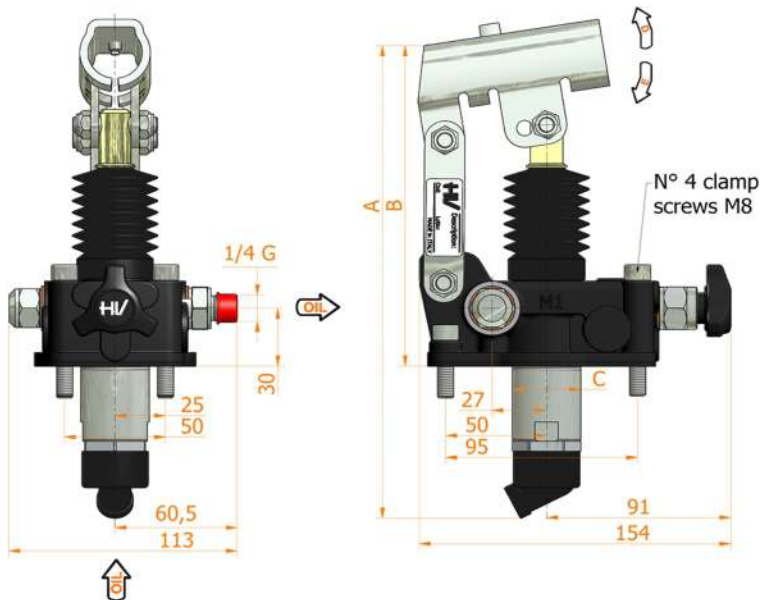
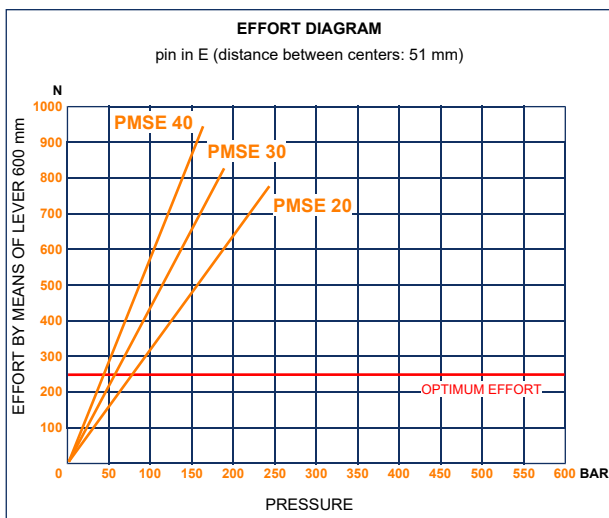
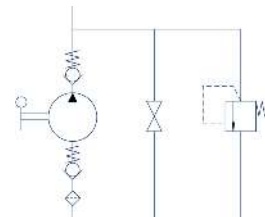
- Cast iron body
- Piston treated with Niploy
- White zinc plated support lever
- Lever connection Ø 27
- White zinc plated external parts
- Standard colour black
- Oil tank mounting kit included

DISPLACEMENT cm ³	A mm	B mm	C mm	D °	E °	ACTUAL DISPLACEMENT cm ³	PRESSURE BAR		MASS KG	CODE WITHOUT BELLOWS	CODE WITH BELLOWS
							OPTIMAL	MAX			
20	249	167	34	35	29	20,527	80	240	3,100	6067.0010	6067.0037
30	252	167	34	38	26	30,262	60	185	3,200	6068.0010	6068.0037
40	252	167	40	38	26	40,290	40	160	3,300	6069.0010	6069.0037



PMSE 20-30-40 byA-s

with release hand knob
with pressure relief valve
single acting hand pump for a single acting cylinder
for fixing to tank



Specifications:

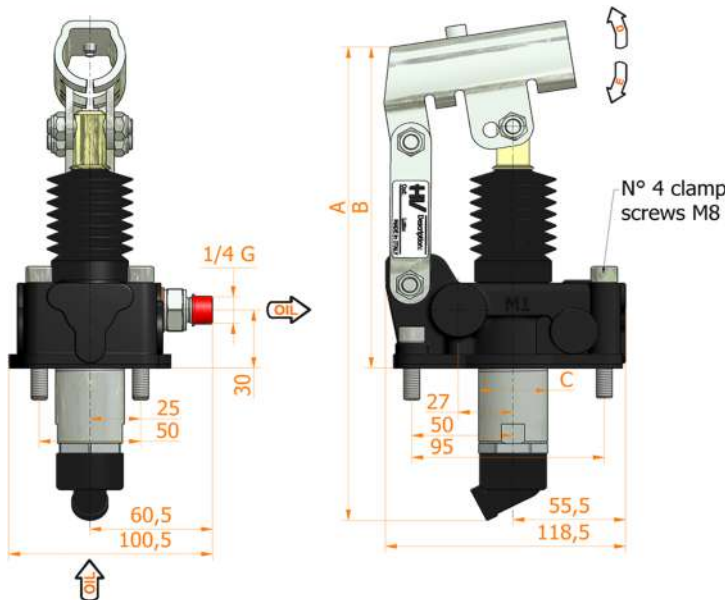
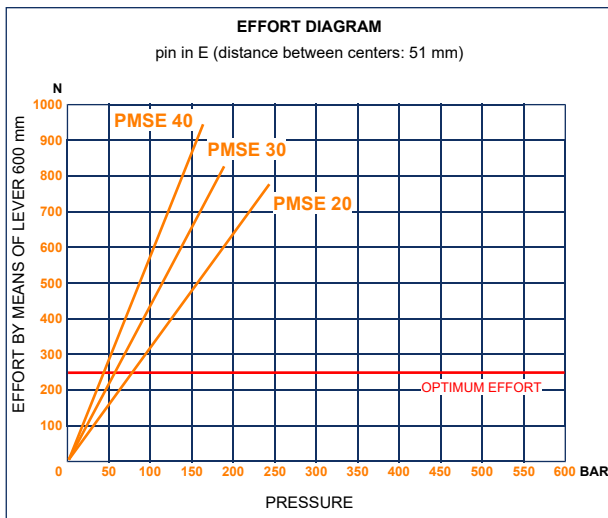
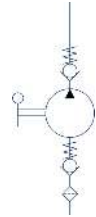
- Cast iron body
- Piston treated with Niploy
- White zinc plated support lever
- Lever connection Ø 27
- White zinc plated external parts
- Standard colour black
- Oil tank mounting kit included
- Pressure relief valve standard setting: 100 bar

DISPLACEMENT cm ³	A mm	B mm	C mm	D °	E °	ACTUAL DISPLACEMENT cm ³	PRESSURE BAR		MASS KG	CODE WITHOUT BELLOWS	CODE WITH BELLOWS
							OPTIMAL	MAX			
20	249	167	34	35	29	20,527	80	240	3,100	6067.0011	6067.0038
30	252	167	34	38	26	30,262	60	185	3,200	6068.0011	6068.0038
40	252	167	40	38	26	40,290	40	160	3,300	6069.0011	6069.0038



PMSE 20-30-40 e-s

without release hand knob
single acting hand pump for a single acting cylinder
for fixing to tank



Specifications:

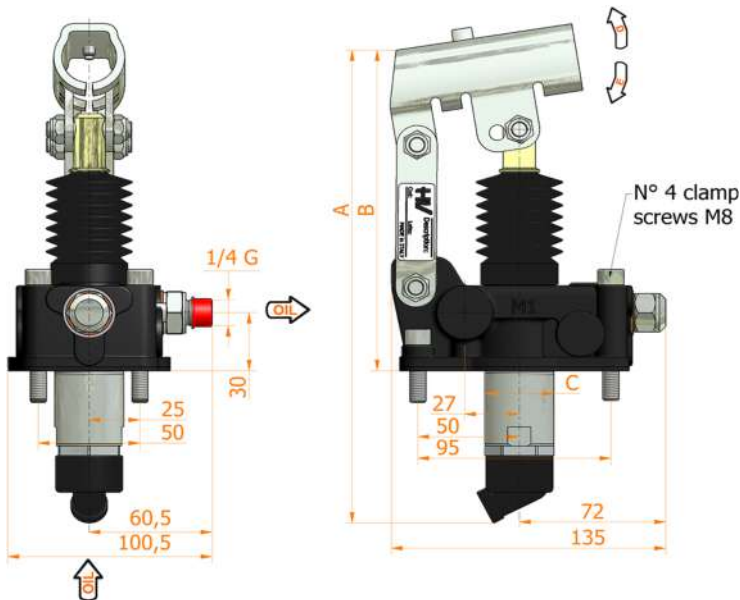
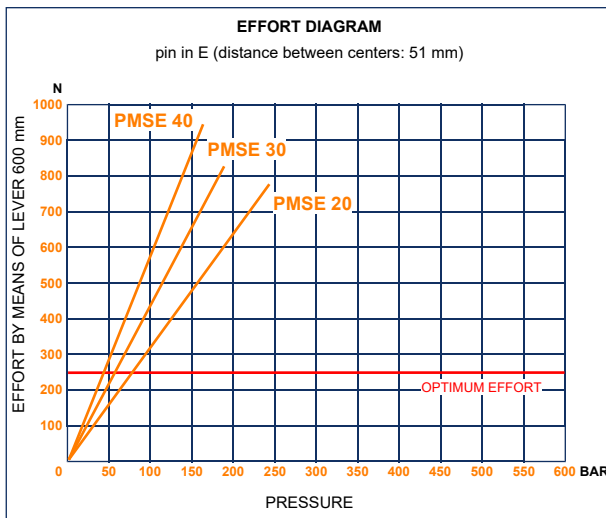
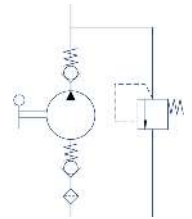
- Cast iron body
- Piston treated with Niploy
- White zinc plated support lever
- Lever connection Ø 27
- White zinc plated external parts
- Standard colour black
- Oil tank mounting kit included

DISPLACEMENT cm ³	A mm	B mm	C mm	D °	E °	ACTUAL DISPLACEMENT cm ³	PRESSURE BAR		MASS KG	CODE WITHOUT BELLOWS	CODE WITH BELLOWS
							OPTIMAL	MAX			
20	249	167	34	35	29	20,527	80	240	3,100	6067.0012	6067.0039
30	252	167	34	38	26	30,262	60	185	3,200	6068.0012	6068.0039
40	252	167	40	38	26	40,290	40	160	3,300	6069.0012	6069.0039



PMSE 20-30-40 byC-e-s

without release hand knob
with pressure relief valve
single acting hand pump for a single acting cylinder
for fixing to tank



Specifications:

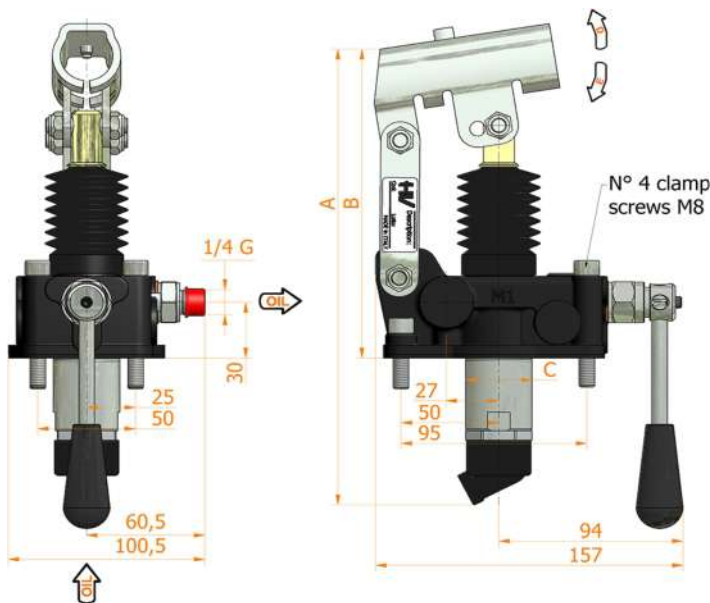
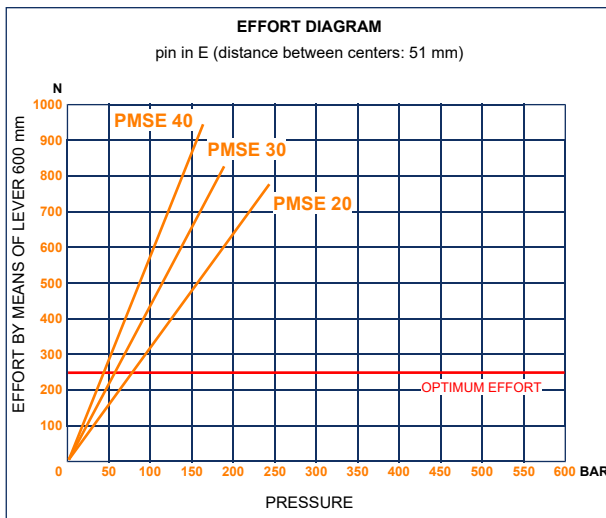
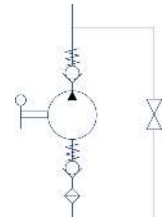
- Cast iron body
- Piston treated with Niploy
- White zinc plated support lever
- Lever connection Ø 27
- White zinc plated external parts
- Standard colour black
- Oil tank mounting kit included
- Pressure relief valve standard setting: 100 bar

DISPLACEMENT cm ³	A mm	B mm	C mm	D °	E °	ACTUAL DISPLACEMENT cm ³	PRESSURE BAR		MASS KG	CODE WITHOUT BELLOWS	CODE WITH BELLOWS
							OPTIMAL	MAX			
20	249	167	34	35	29	20,527	80	240	3,100	6067.0013	6067.0040
30	252	167	34	38	26	30,262	60	185	3,200	6068.0013	6068.0040
40	252	167	40	38	26	40,290	40	160	3,300	6069.0013	6069.0040



PMSE 20-30-40 L-s

with release lever
single acting hand pump for a single acting cylinder
for fixing to tank



Specifications:

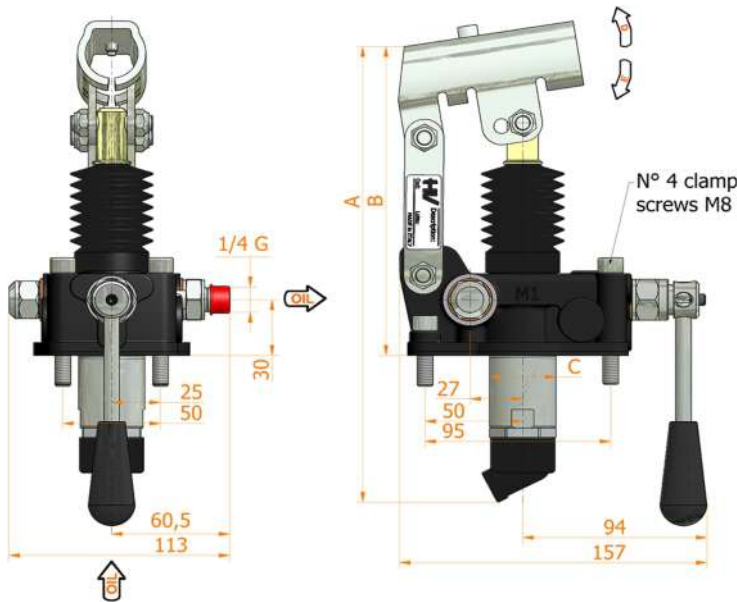
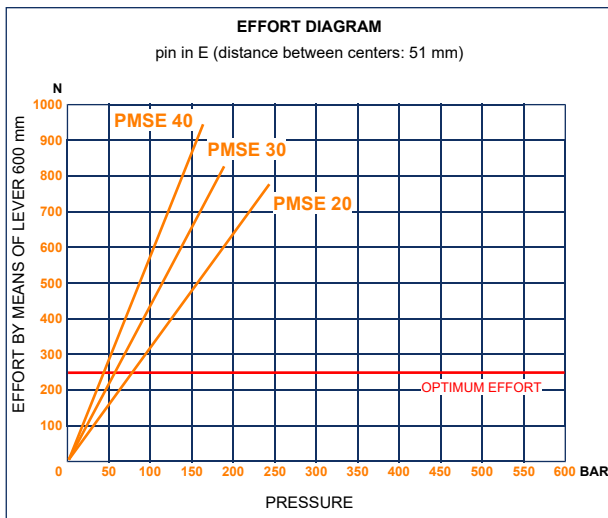
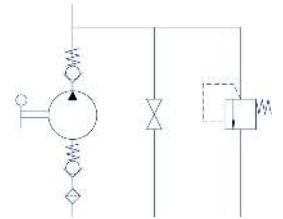
- Cast iron body
- Piston treated with Niploy
- White zinc plated support lever
- Lever connection Ø 27
- White zinc plated external parts
- Standard colour black
- Oil tank mounting kit included

DISPLACEMENT cm ³	A mm	B mm	C mm	D °	E °	ACTUAL DISPLACEMENT cm ³	PRESSURE BAR		MASS KG	CODE WITHOUT BELLOWS	CODE WITH BELLOWS
							OPTIMAL	MAX			
20	249	167	34	35	29	20,527	80	240	3,100	6067.0014	6067.0041
30	252	167	34	38	26	30,262	60	185	3,200	6068.0014	6068.0041
40	252	167	40	38	26	40,290	40	160	3,300	6069.0014	6069.0041



PMSE 20-30-40 L-byA-s

with release lever
with pressure relief valve
single acting hand pump for a single acting cylinder
for fixing to tank



Specifications:

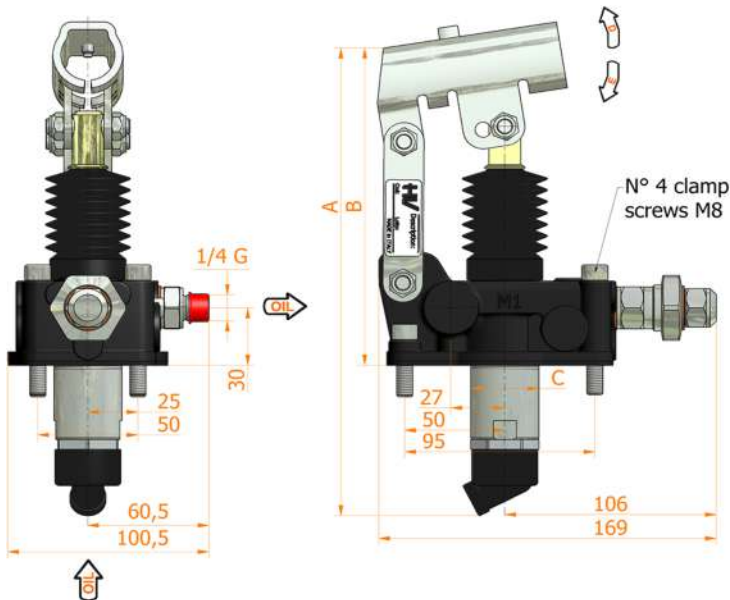
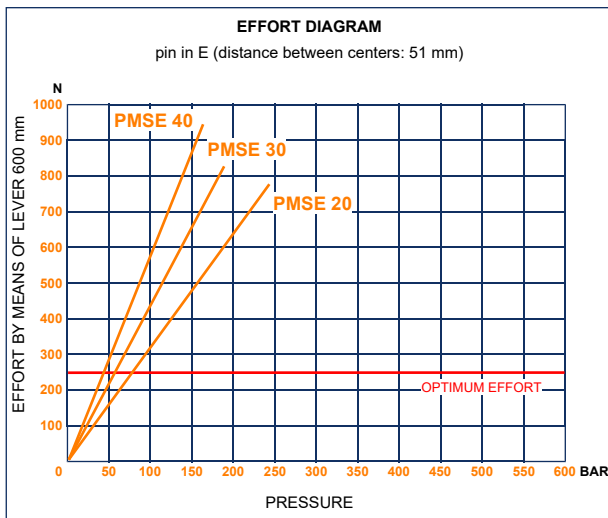
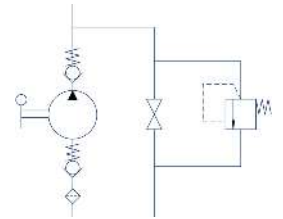
- Cast iron body
- Piston treated with Niploy
- White zinc plated support lever
- Lever connection Ø 27
- White zinc plated external parts
- Standard colour black
- Oil tank mounting kit included
- Pressure relief valve standard setting: 100 bar

DISPLACEMENT cm ³	A mm	B mm	C mm	D °	E °	ACTUAL DISPLACEMENT cm ³	PRESSURE BAR		MASS KG	CODE WITHOUT BELLOWS	CODE WITH BELLOWS
							OPTIMAL	MAX			
20	249	167	34	35	29	20,527	80	240	3,100	6067.0015	6067.0042
30	252	167	34	38	26	30,262	60	185	3,200	6068.0015	6068.0042
40	252	167	40	38	26	40,290	40	160	3,300	6069.0015	6069.0042



PMSE 20-30-40 byC-s

with release lever
with pressure relief valve
single acting hand pump for a single acting cylinder
for fixing to tank



Specifications:

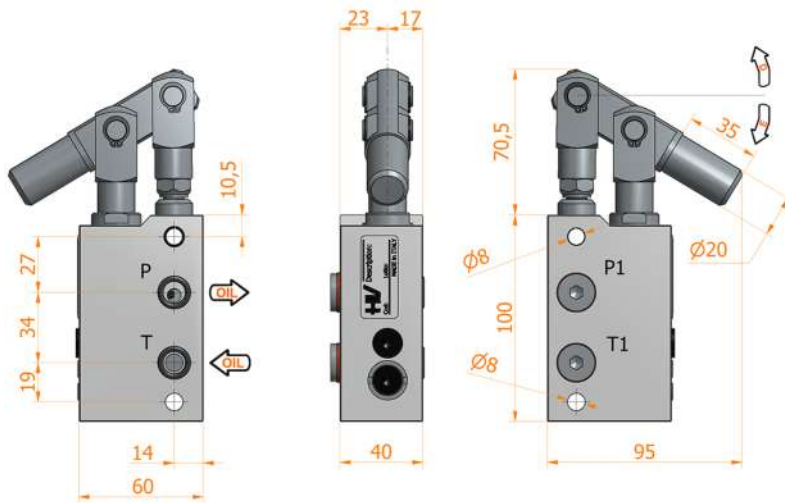
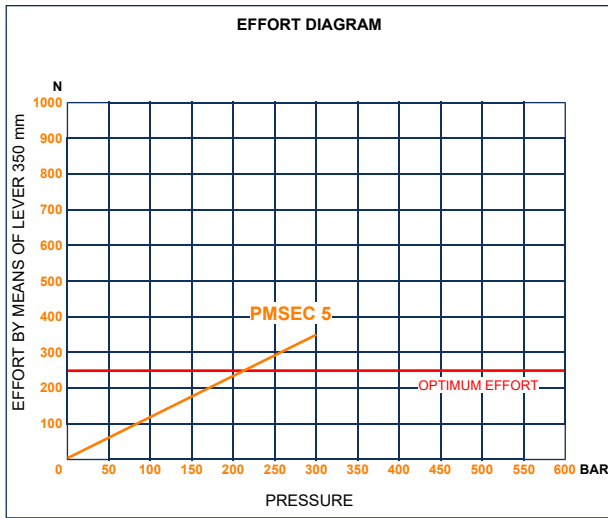
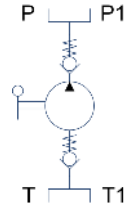
- Cast iron body
- Piston treated with Niploy
- White zinc plated support lever
- Lever connection Ø 27
- White zinc plated external parts
- Standard colour black
- Oil tank mounting kit included
- Pressure relief valve standard setting: 100 bar

DISPLACEMENT cm ³	A mm	B mm	C mm	D °	E °	ACTUAL DISPLACEMENT cm ³	PRESSURE BAR		MASS KG	CODE WITHOUT BELLOWS	CODE WITH BELLOWS
							OPTIMAL	MAX			
20	249	167	34	35	29	20,527	80	240	3,100	6067.0016	6067.0043
30	252	167	34	38	26	30,262	60	185	3,200	6068.0016	6068.0043
40	252	167	40	38	26	40,290	40	160	3,300	6069.0016	6069.0043



PMSEC 5 eb

without release hand knob
single-acting version to operate a single-acting cylinder
for fixing to a wall



Specifications:

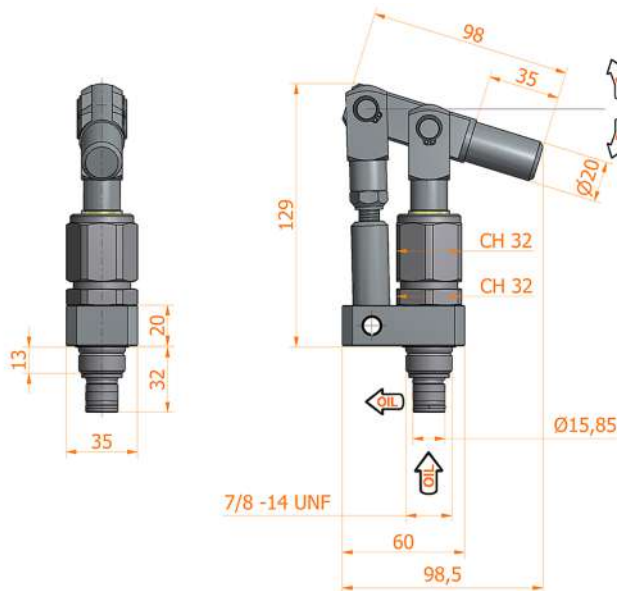
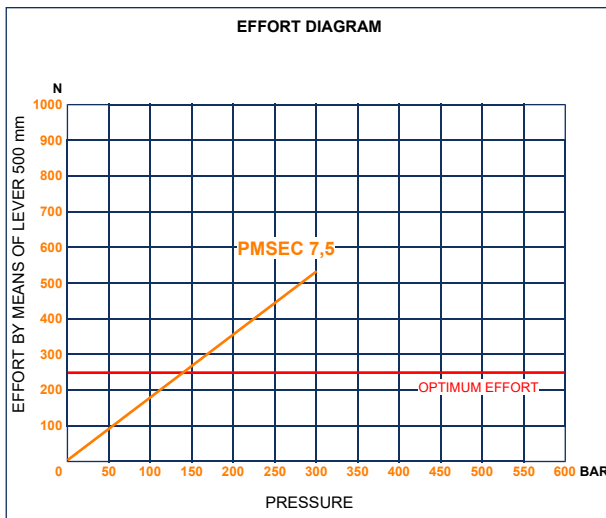
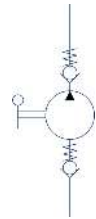
- Aluminium body
- Niploy coated piston
- White zinc plated support lever
- Lever connection $\varnothing 20$
- White zinc plated external parts

DISPLACEMENT cm ³	A mm	B mm	C mm	D °	E °	ACTUAL DISPLACEMENT cm ³	PRESSURE BAR		MASS KG	CODE WITHOUT BELLOWS	CODE WITH BELLOWS
							OPTIMAL	MAX			
5	--	--	--	31	31	5,380	215	300	1,120	6106.0001	--



PMSEC 7,5 e

without release hand knob
single-acting version to operate a single-acting cylinder
for fixing to a wall



Specifications:

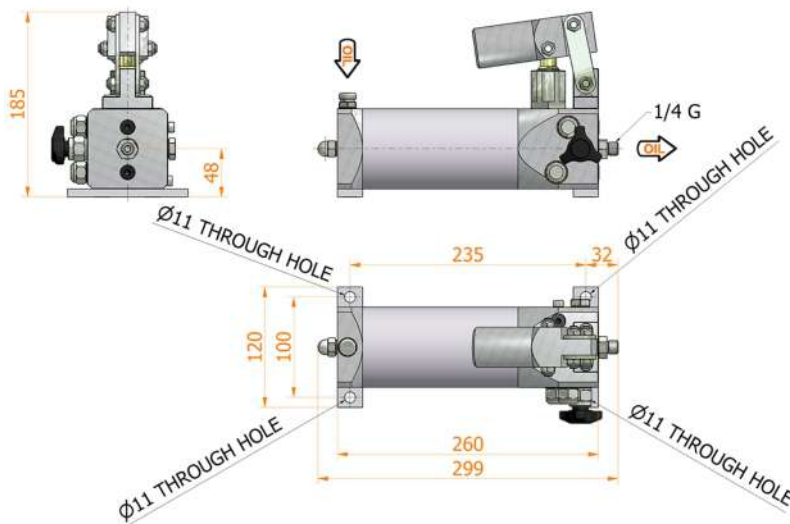
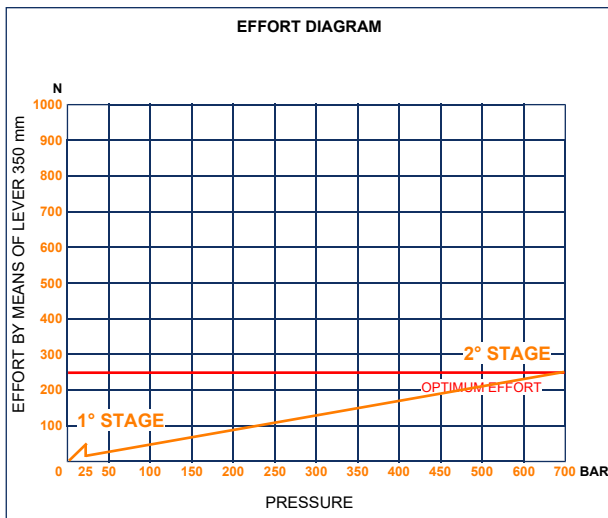
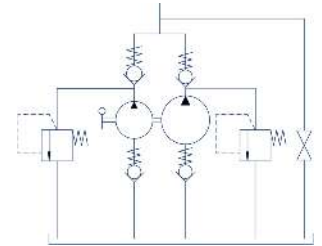
- Steel body
- Niploy coated piston
- White zinc plated support lever
- Lever connection Ø 20
- White zinc plated external parts

DISPLACEMENT cm ³	A mm	B mm	C mm	D °	E °	ACTUAL DISPLACEMENT cm ³	PRESSURE BAR		MASS KG	CODE WITHOUT BELLOWS	CODE WITH BELLOWS
							OPTIMAL	MAX			
7,5	--	--	--	33	17	8,470	140	300	1,069	6107.0000	--



PM2V 2/10 a

with release hand knob
 with automatic control for 1st step
 with pressure relief valve
 with pressure-gauge prearrangement
 double speed hand pump for single acting cylinder
 tank lt. 0,6



Specifications:

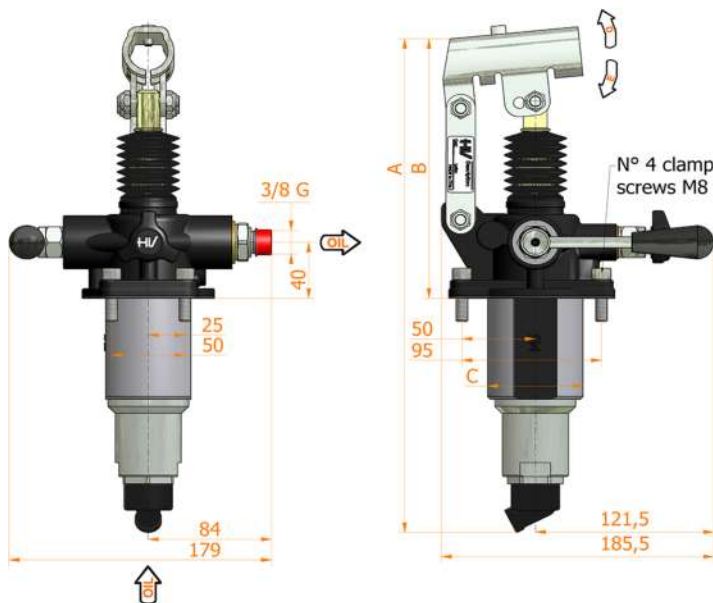
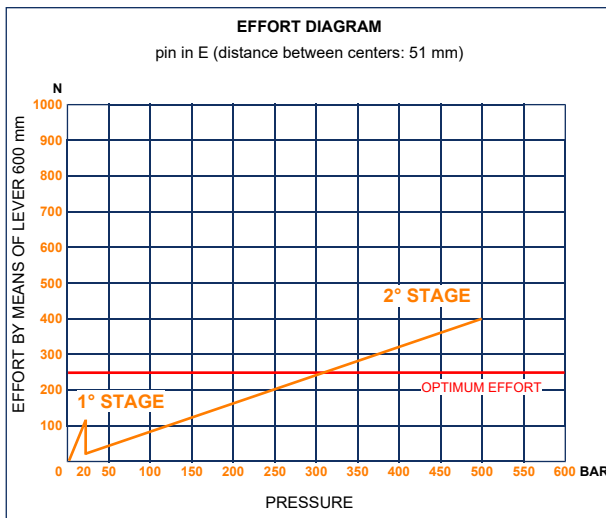
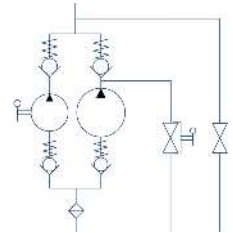
- Aluminium Ergal body
- Piston treated with Niploy
- Aluminium Ergal support lever
- Lever connection Ø 20
- White zinc plated external parts
- Pressure relief valve standard setting: 500 bar
- With pressure-gauge prearrangement, connection: 1/4 G

DISPLACEMENT cm ³	A mm	B mm	C mm	D °	E °	DISPLACEMENT cm ³		PRESSURE BAR		MASS KG	CODE WITHOUT BELLOWS	CODE WITH BELLOWS
						STAGE 1	STAGE 2	STAGE 1	STAGE 2			
2-10	--	--	--	--	--	7,284	1,004	25	700	3,800	6072.0000	--



PM2V 5/80 Lm-s

with release hand knob
with exclusion lever for the 1st speed
two speed hand pump for a single acting cylinder
for fixing to tank



Specifications:

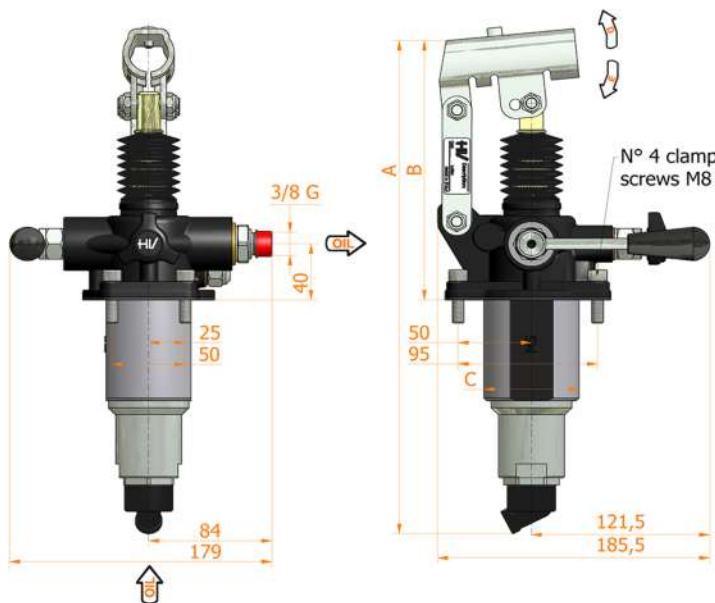
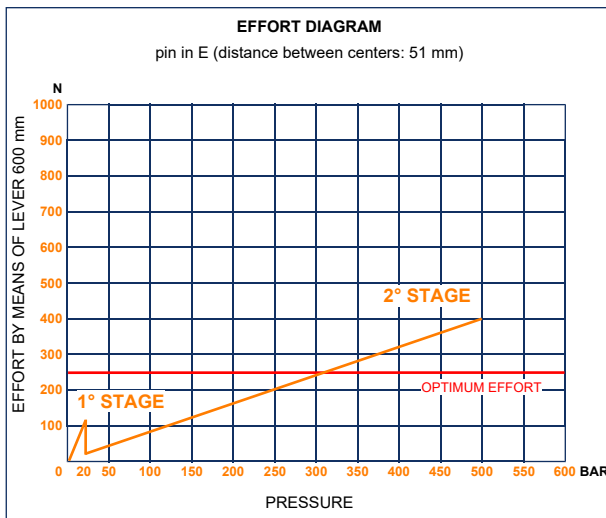
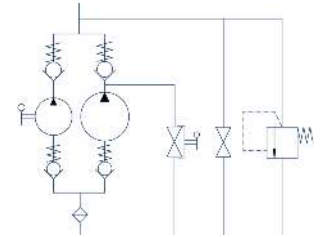
- Cast iron body
- Piston treated with Niploy
- White zinc plated support lever
- Lever connection Ø 27
- White zinc plated external parts
- Standard colour black
- Oil tank mounting kit included

DISPLACEMENT cm ³	A mm	B mm	C mm	D °	E °	DISPLACEMENT cm ³		PRESSURE BAR		MASS KG	CODE WITHOUT BELLOWS	CODE WITH BELLOWS
						STAGE 1	STAGE 2	STAGE 1	STAGE 2			
5-80	354	185	65	30	32	80,588	5,036	20	500	6,200	6071.0100	60710127



PM2V 5/80 Lm-byB-s

with release hand knob
 with exclusion lever for the 1st speed
 with pressure relief valve
 two speed hand pump for a single acting cylinder
 for fixing to tank



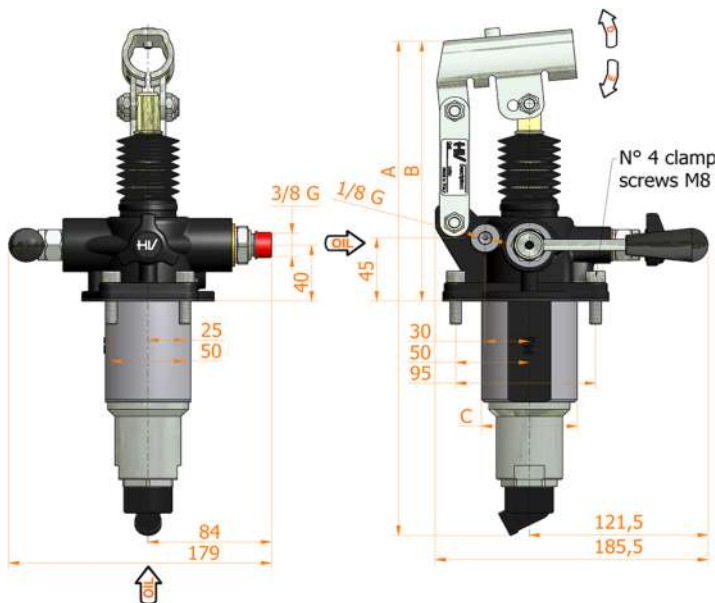
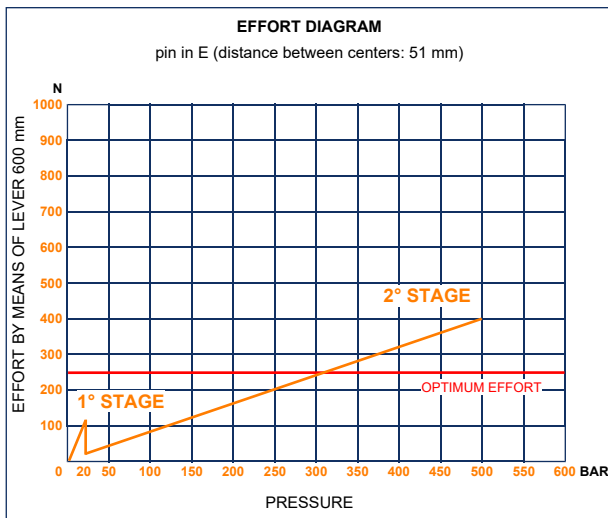
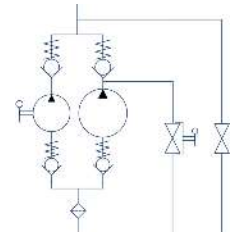
- Specifications:**
- Cast iron body
 - Piston treated with Niploy
 - White zinc plated support lever
 - Lever connection Ø 27
 - White zinc plated external parts
 - Standard colour black
 - Oil tank mounting kit included
 - Pressure relief valve standard setting: 400 bar

DISPLACEMENT cm ³	A mm	B mm	C mm	D °	E °	DISPLACEMENT cm ³		PRESSURE BAR		MASS KG	CODE WITHOUT BELLOWS	CODE WITH BELLOWS
						STAGE 1	STAGE 2	STAGE 1	STAGE 2			
5-80	354	185	65	30	32	80,588	5,036	20	500	6,200	6071.0101	6071.0128



PM2V 5/80 Lm-pm-s

with release hand knob
 with exclusion lever for the 1st speed
 with pressure-gauge prearrangement
 two speed hand pump for a single acting cylinder
 for fixing to tank



Specifications:

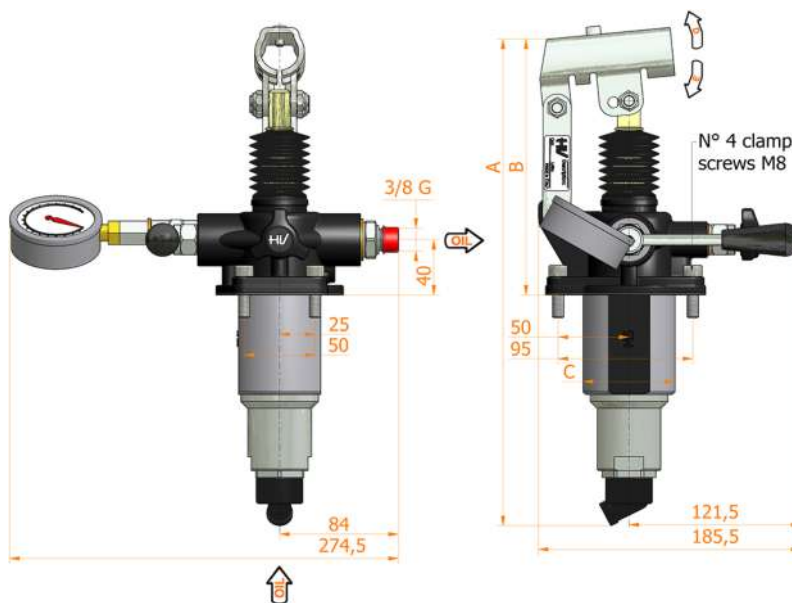
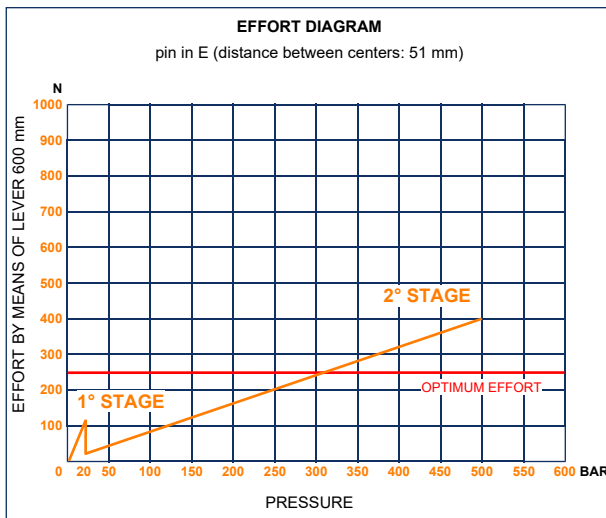
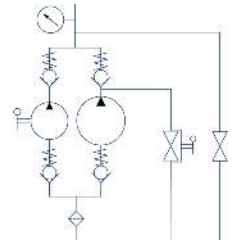
- Cast iron body
- Piston treated with Niploy
- White zinc plated support lever
- Lever connection Ø 27
- White zinc plated external parts
- Standard colour black
- Oil tank mounting kit included
- With pressure-gauge prearrangement, connection: 1/4 G

DISPLACEMENT cm ³	A mm	B mm	C mm	D °	E °	DISPLACEMENT cm ³		PRESSURE BAR		MASS KG	CODE WITHOUT BELLOWS	CODE WITH BELLOWS
						STAGE 1	STAGE 2	STAGE 1	STAGE 2			
5-80	354	185	65	30	32	80,588	5,036	20	500	6,200	60710102	6071.0129



PM2V 5/80 Lm-M-s

with release hand knob
 with exclusion lever for the 1st speed
 with pressure-gauge
 two speed hand pump for a single acting cylinder
 for fixing to tank



Specifications:

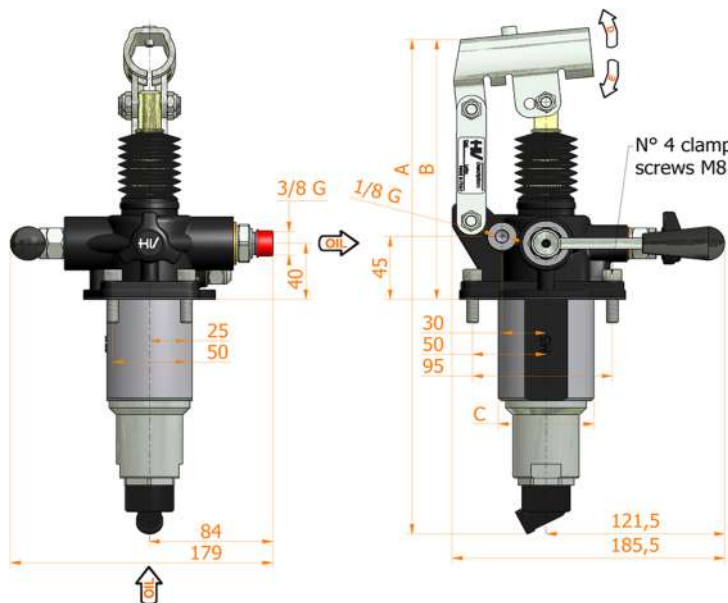
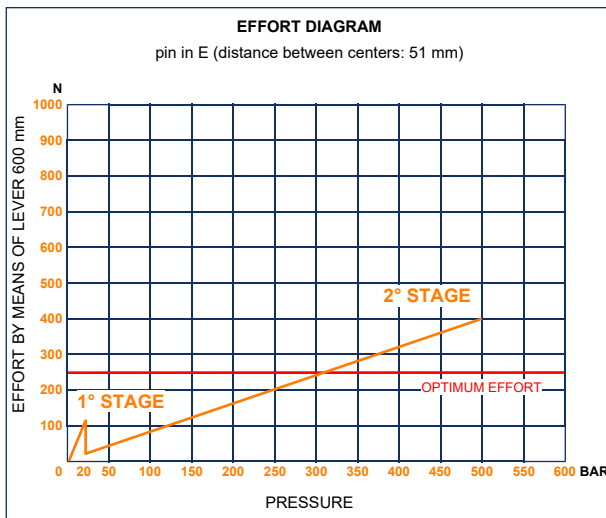
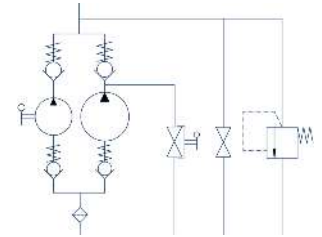
- Cast iron body
- Piston treated with Niploy
- White zinc plated support lever
- Lever connection Ø 27
- White zinc plated external parts
- Standard colour black
- Oil tank mounting kit included

DISPLACEMENT cm ³	A mm	B mm	C mm	D °	E °	DISPLACEMENT cm ³		PRESSURE BAR		MASS KG	CODE WITHOUT BELLOWS	CODE WITH BELLOWS
						STAGE 1	STAGE 2	STAGE 1	STAGE 2			
5-80	354	185	65	30	32	80,588	5,036	20	500	6,200	6071.0103	6071.0130



PM2V 5/80 Lm-byB-pm-s

with release hand knob
 with exclusion lever for the 1st speed
 with pressure relief valve and pressure-gauge prearrangement
 two speed hand pump for a single acting cylinder
 for fixing to tank



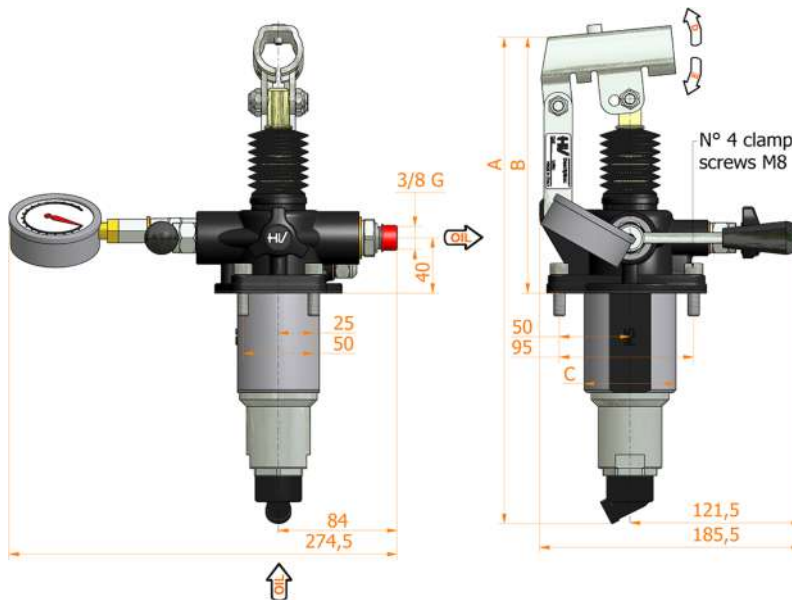
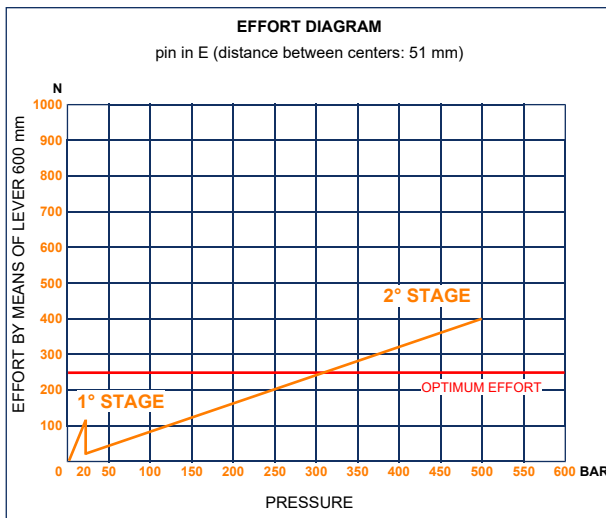
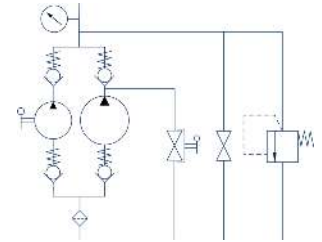
Specifications:

- Cast iron body
- Piston treated with Niploy
- White zinc plated support lever
- Lever connection Ø 27
- White zinc plated external parts
- Standard colour black
- Oil tank mounting kit included
- Pressure relief valve standard setting: 400 bar
- With pressure-gauge prearrangement, connection: 1/4 G

DISPLACEMENT cm ³	A mm	B mm	C mm	D °	E °	DISPLACEMENT cm ³		PRESSURE BAR		MASS KG	CODE WITHOUT BELLOWS	CODE WITH BELLOWS
						STAGE 1	STAGE 2	STAGE 1	STAGE 2			
5-80	354	185	65	30	32	80,588	5,036	20	500	6,200	6071.0104	6071.0131

PM2V 5/80 Lm-byB-M-s

with release hand knob
 with exclusion lever for the 1st speed
 with pressure relief valve and pressure-gauge
 two speed hand pump for a single acting cylinder
 for fixing to tank



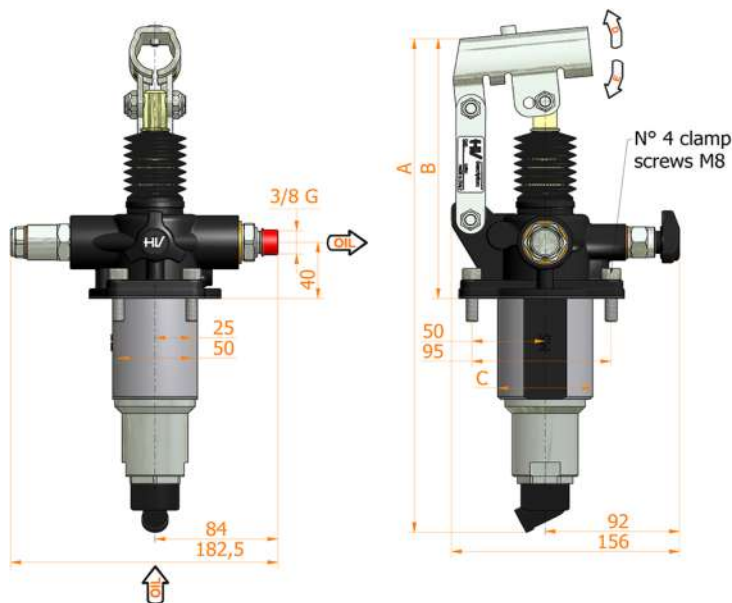
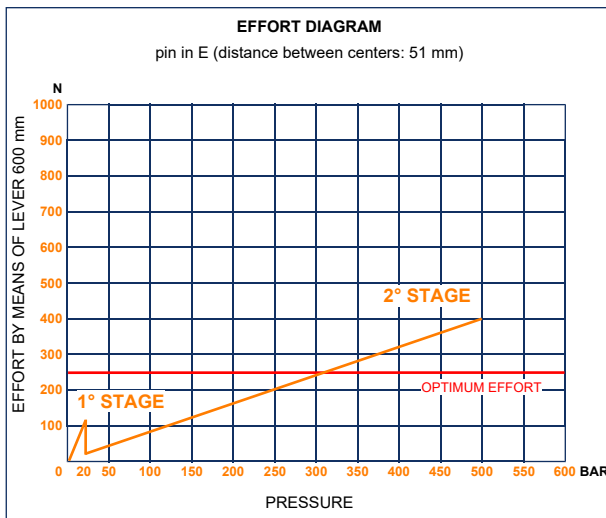
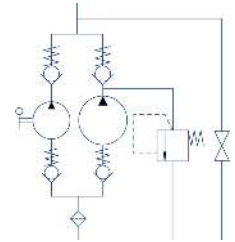
- Specifications:**
- Cast iron body
 - Piston treated with Niploy
 - White zinc plated support lever
 - Lever connection Ø 27
 - White zinc plated external parts
 - Standard colour black
 - Oil tank mounting kit included
 - Pressure relief valve standard setting: 400 bar

DISPLACEMENT cm ³	A mm	B mm	C mm	D °	E °	DISPLACEMENT cm ³		PRESSURE BAR		MASS KG	CODE WITHOUT BELLOWS	CODE WITH BELLOWS
						STAGE 1	STAGE 2	STAGE 1	STAGE 2			
5-80	354	185	65	30	32	80,588	5,036	20	500	6,200	6071.0105	6071.0132



PM2V 5/80 a-s

with release hand knob
with automatic control for the 1st speed
two speed hand pump for a single acting cylinder
for fixing to tank



Specifications:

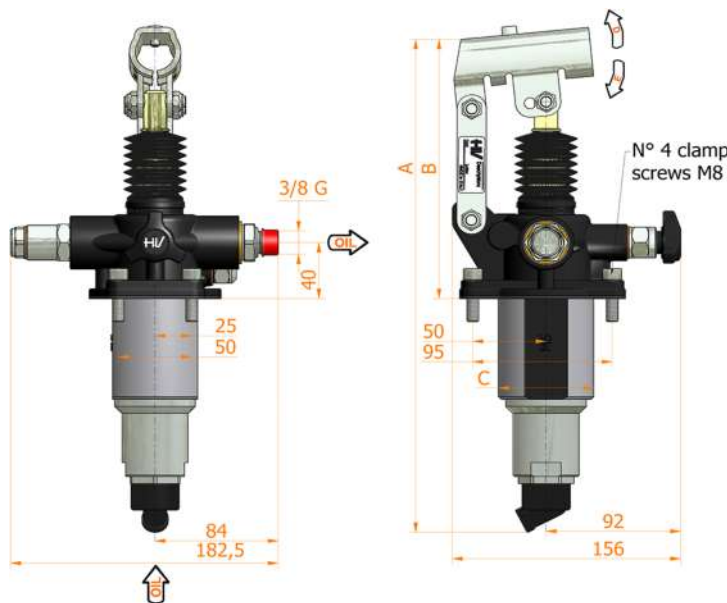
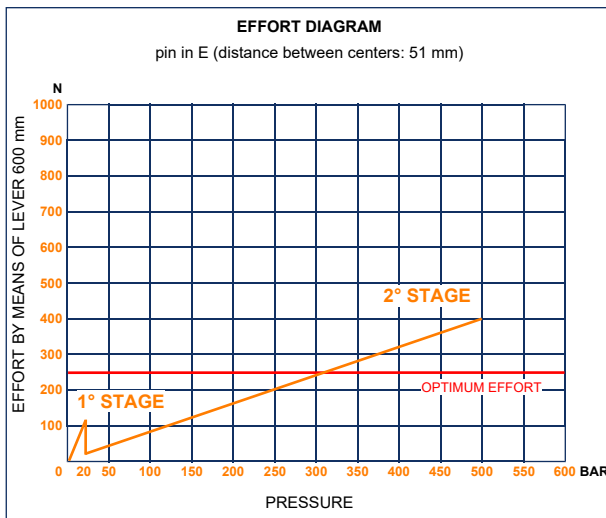
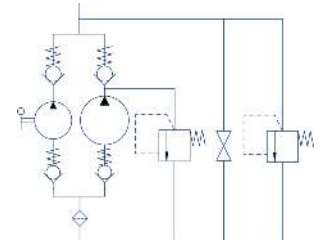
- Cast iron body
- Piston treated with Niploy
- White zinc plated support lever
- Lever connection Ø 27
- White zinc plated external parts
- Standard colour black
- Oil tank mounting kit included

DISPLACEMENT cm ³	A mm	B mm	C mm	D °	E °	DISPLACEMENT cm ³		PRESSURE BAR		MASS KG	CODE WITHOUT BELLOWS	CODE WITH BELLOWS
						STAGE 1	STAGE 2	STAGE 1	STAGE 2			
5-80	354	185	65	30	32	80,588	5,036	20	500	6,200	6071.0106	6071.0133



PM2V 5/80 a-byB-s

with release hand knob
 with automatic control for the 1st speed
 with pressure relief valve
 two speed hand pump for a single acting cylinder
 for fixing to tank



Specifications:

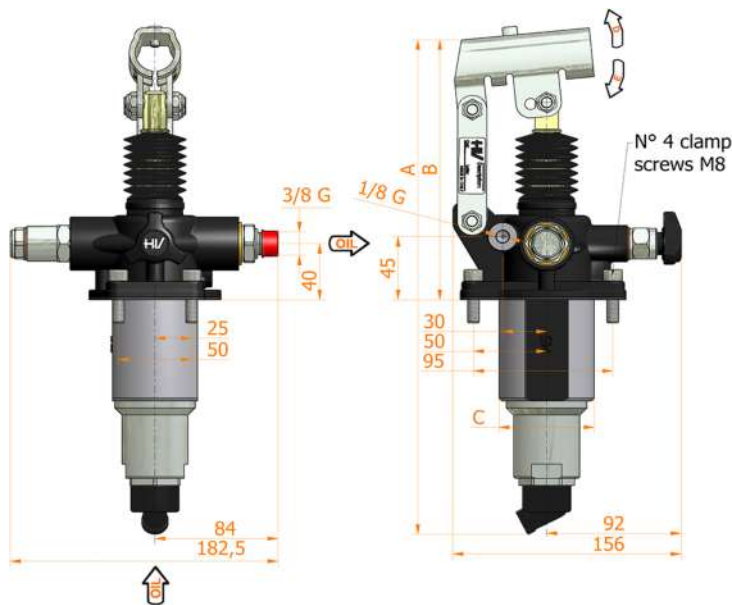
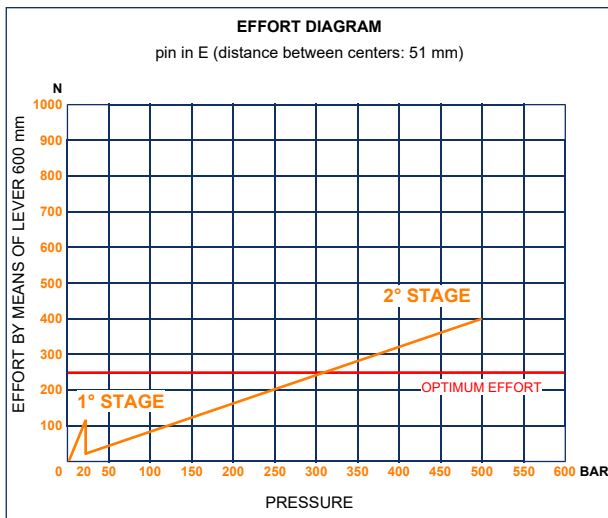
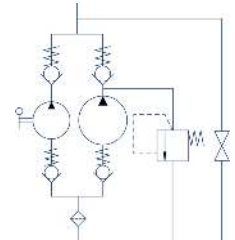
- Cast iron body
- Piston treated with Niploy
- White zinc plated support lever
- Lever connection Ø 27
- White zinc plated external parts
- Standard colour black
- Oil tank mounting kit included
- Pressure relief valve standard setting: 400 bar

DISPLACEMENT cm ³	A mm	B mm	C mm	D °	E °	DISPLACEMENT cm ³		PRESSURE BAR		MASS KG	CODE WITHOUT BELLOWS	CODE WITH BELLOWS
						STAGE 1	STAGE 2	STAGE 1	STAGE 2			
5-80	354	185	65	30	32	80,588	5,036	20	500	6,200	6071.0107	6071.0134



PM2V 5/80 a-p-m-s

with release hand knob
 with automatic control for the 1st speed
 with pressure-gauge prearrangement
 two speed hand pump for a single acting cylinder
 for fixing to tank



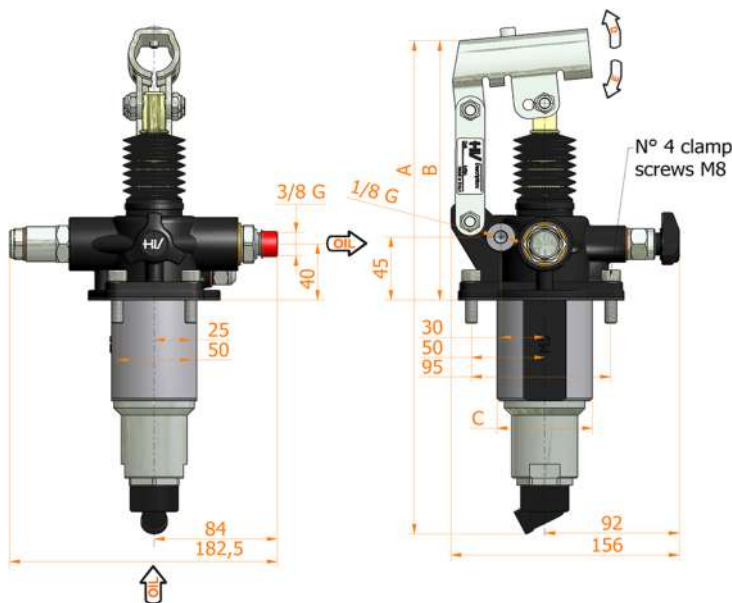
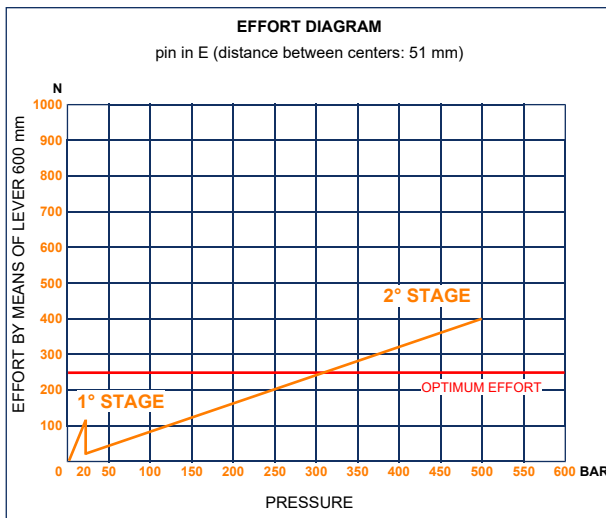
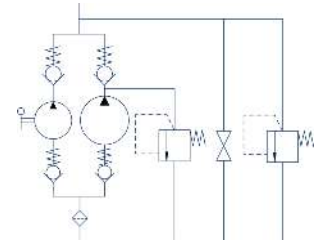
- Specifications:**
- Cast iron body
 - Piston treated with Niploy
 - White zinc plated support lever
 - Lever connection Ø 27
 - White zinc plated external parts
 - Standard colour black
 - Oil tank mounting kit included
 - With pressure-gauge prearrangement, connection: 1/4 G

DISPLACEMENT cm ³	A mm	B mm	C mm	D °	E °	DISPLACEMENT cm ³		PRESSURE BAR		MASS KG	CODE WITHOUT BELLOWS	CODE WITH BELLOWS
						STAGE 1	STAGE 2	STAGE 1	STAGE 2			
5-80	354	185	65	30	32	80,588	5,036	20	500	6,200	6071.0108	6071.0135



PM2V 5/80 a-byB-pm-s

with release hand knob
 with automatic control for the 1st speed
 with pressure relief valve and pressure-gauge prearrangement
 two speed hand pump for a single acting cylinder
 for fixing to tank



Specifications:

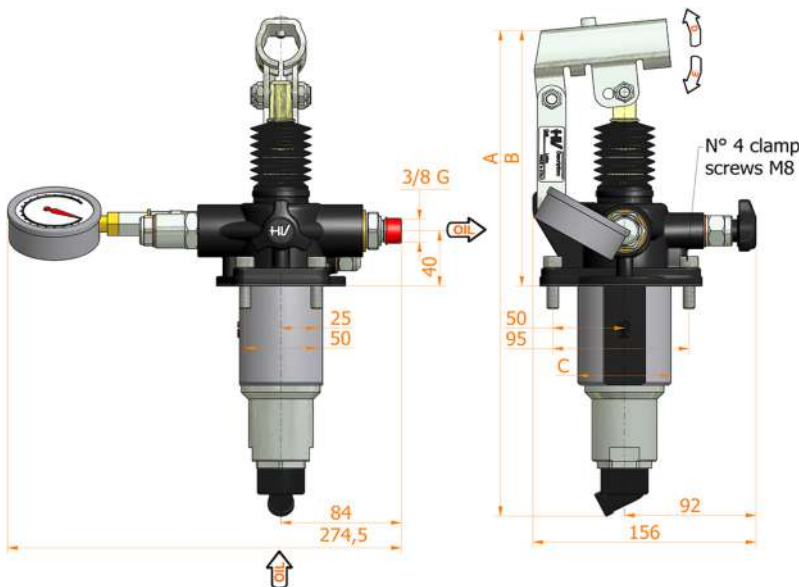
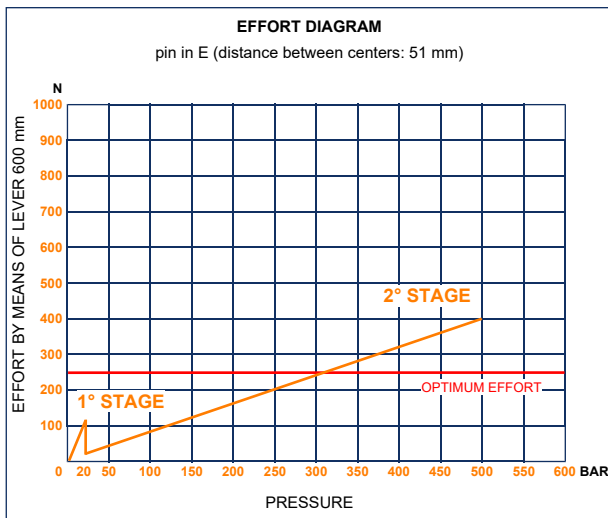
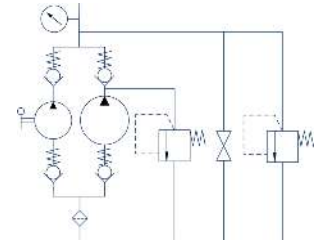
- Cast iron body
- Piston treated with Niploy
- White zinc plated support lever
- Lever connection Ø 27
- White zinc plated external parts
- Standard colour black
- Oil tank mounting kit included
- Pressure relief valve standard setting: 400 bar
- With pressure-gauge prearrangement, connection: 1/4 G

DISPLACEMENT cm ³	A mm	B mm	C mm	D °	E °	DISPLACEMENT cm ³		PRESSURE BAR		MASS KG	CODE WITHOUT BELLOWS	CODE WITH BELLOWS
						STAGE 1	STAGE 2	STAGE 1	STAGE 2			
5-80	354	185	65	30	32	80,588	5,036	20	500	6,200	6071.0110	6071.0137



PM2V 5/80 a-byB-M-s

with release hand knob
 with automatic control for the 1st speed
 with pressure relief valve and pressure-gauge
 two speed hand pump for a single acting cylinder
 for fixing to tank



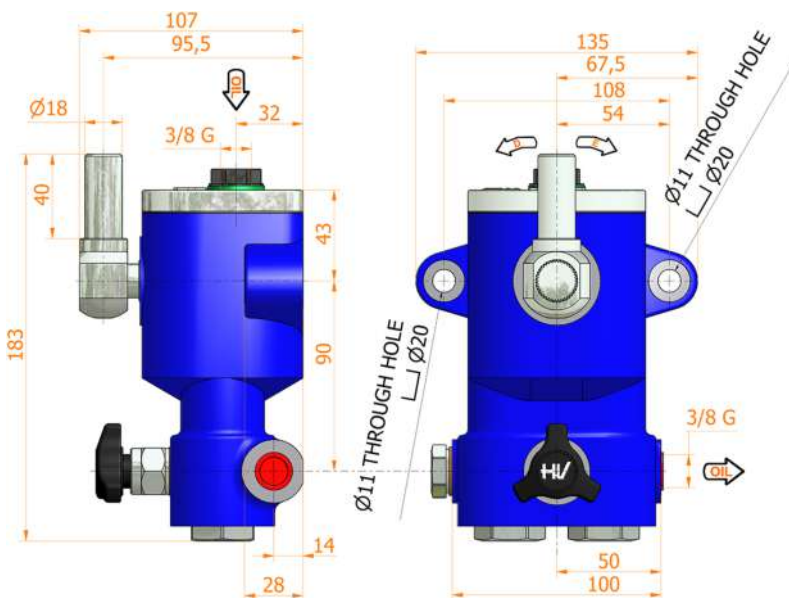
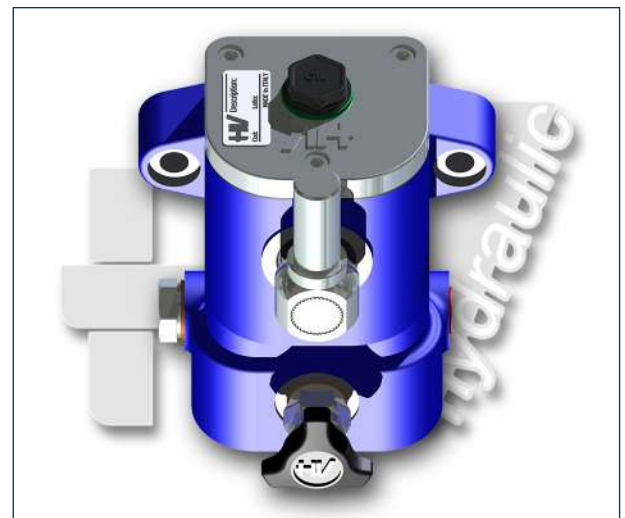
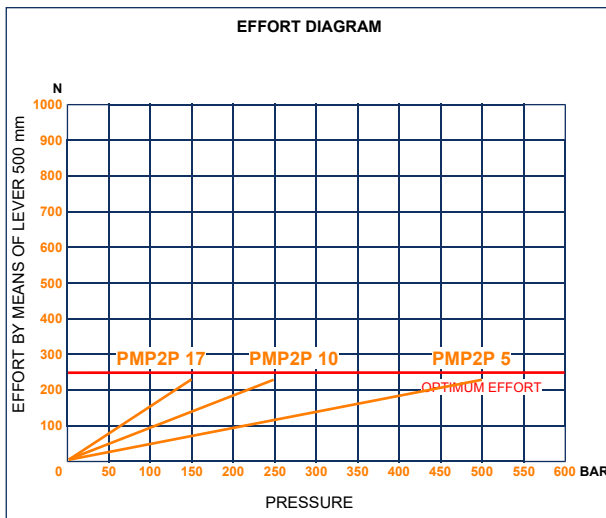
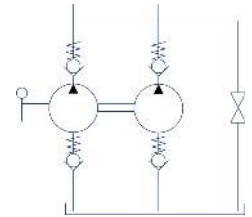
- Specifications:**
- Cast iron body
 - Piston treated with Niploy
 - White zinc plated support lever
 - Lever connection Ø 27
 - White zinc plated external parts
 - Standard colour black
 - Oil tank mounting kit included
 - Pressure relief valve standard setting: 400 bar

DISPLACEMENT cm ³	A mm	B mm	C mm	D °	E °	DISPLACEMENT cm ³		PRESSURE BAR		MASS KG	CODE WITHOUT BELLOWS	CODE WITH BELLOWS
						STAGE 1	STAGE 2	STAGE 1	STAGE 2			
5-80	354	185	65	30	32	80,588	5,036	20	500	6,200	6071.0111	6071.0138



PM2P 5-10-17

with release hand knob
double acting hand pump for single acting cylinder
for fixing both to a wall and to a tank



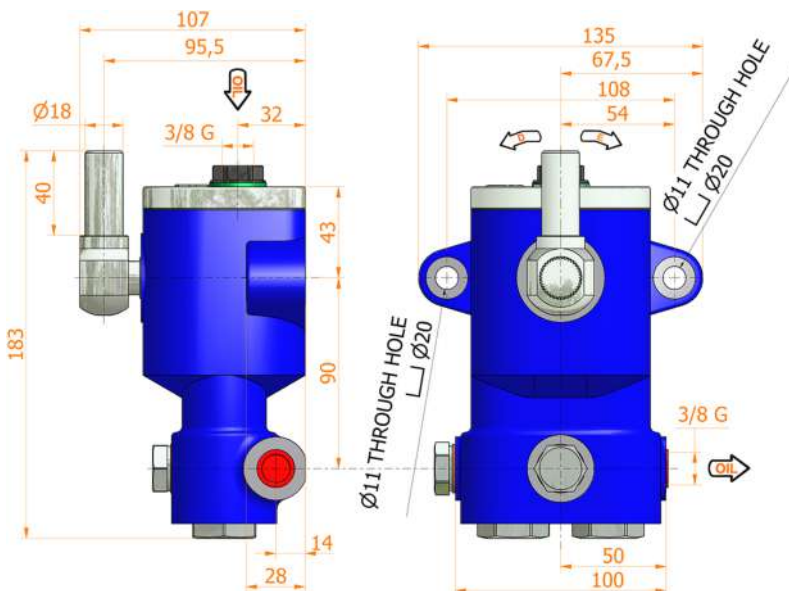
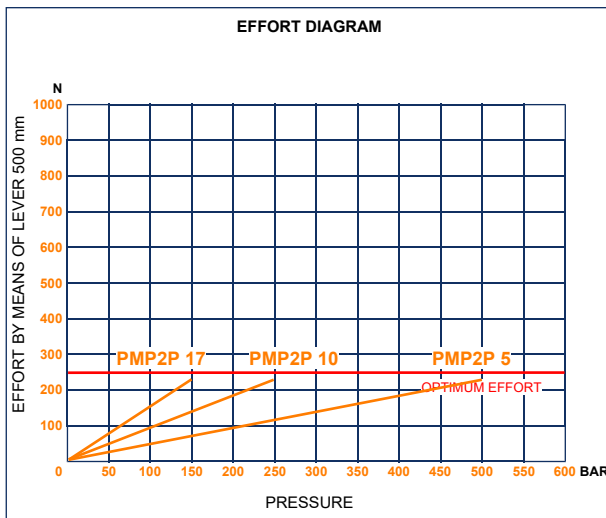
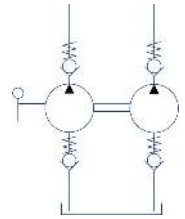
Specifications:

- Cast iron body
- White zinc plated support lever
- Lever connection Ø 18
- White zinc plated external parts
- Standard colour blue

DISPLACEMENT cm ³	A mm	B mm	C mm	D °	E °	ACTUAL DISPLACEMENT cm ³	PRESSURE BAR		MASS KG	CODE WITHOUT BELLOWS	CODE WITH BELLOWS
							OPTIMAL	MAX			
5	--	--	--	36	36	5,510	500	500	4,200	6091.0000	--
10	--	--	--	36	36	11,650	250	250	4,200	6092.0000	--
17	--	--	--	36	36	18,210	150	150	4,200	6093.0000	--

PM2P 5-10-17 e

without release hand knob
 double acting hand pump for single acting cylinder
 for fixing both to a wall and to a tank



Specifications:

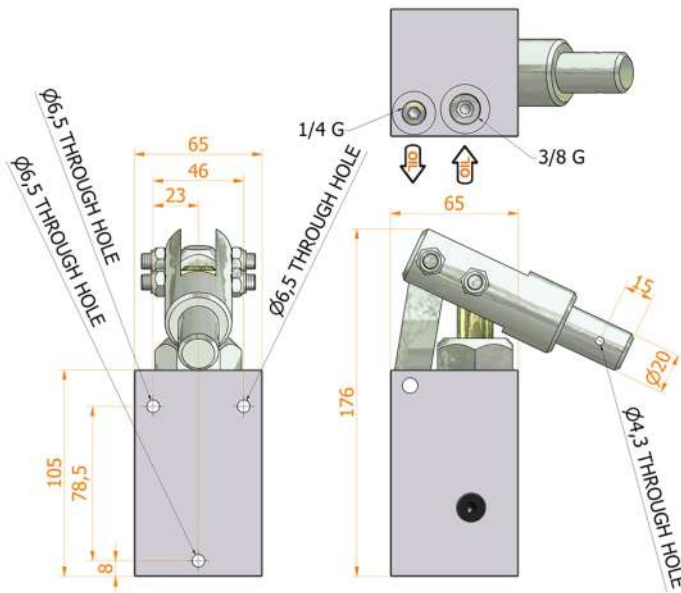
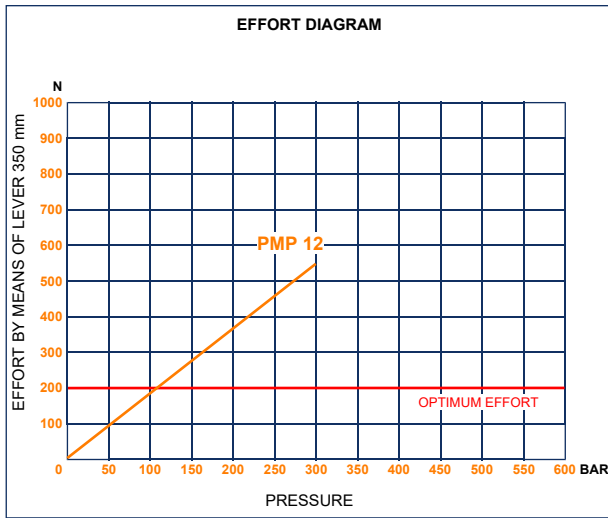
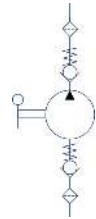
- Cast iron body
- White zinc plated support lever
- Lever connection \varnothing 18
- White zinc plated external parts
- Standard colour blue

DISPLACEMENT cm ³	A mm	B mm	C mm	D °	E °	ACTUAL DISPLACEMENT cm ³	PRESSURE BAR		MASS KG	CODE WITHOUT BELLOWS	CODE WITH BELLOWS
							OPTIMAL	MAX			
5	--	--	--	36	36	5,510	500	500	4,200	6091.0001	--
10	--	--	--	36	36	11,650	250	250	4,200	6092.0001	--
17	--	--	--	36	36	18,210	150	150	4,200	6093.0001	--



PMP 12 e

without release hand knob
 double acting hand pump for a single acting cylinder
 for fixing to a wall



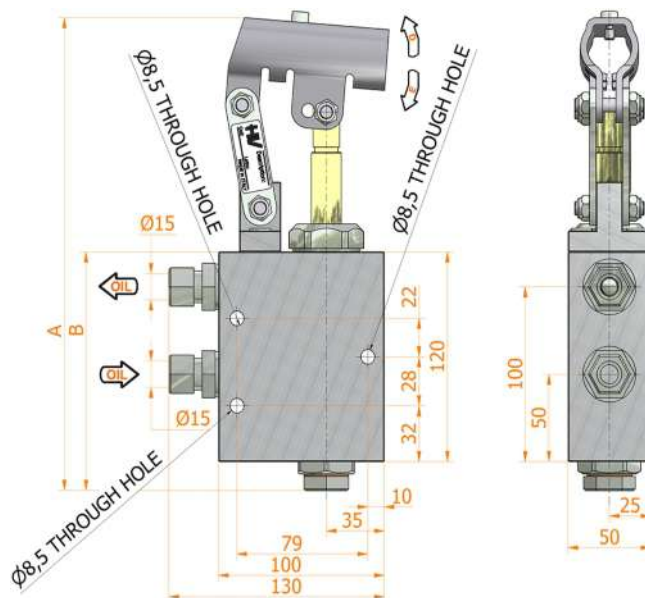
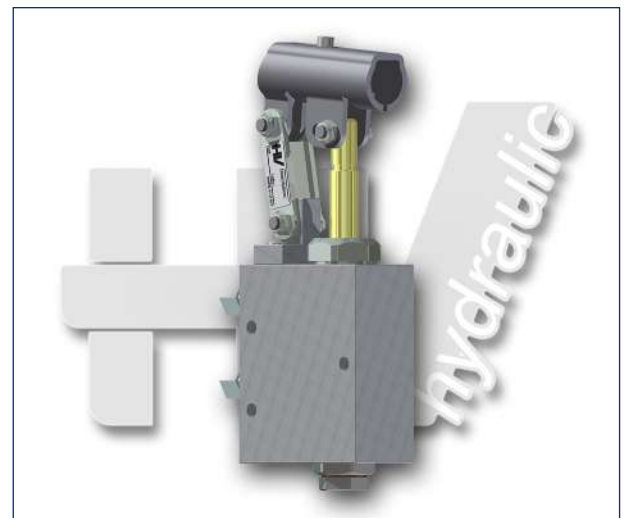
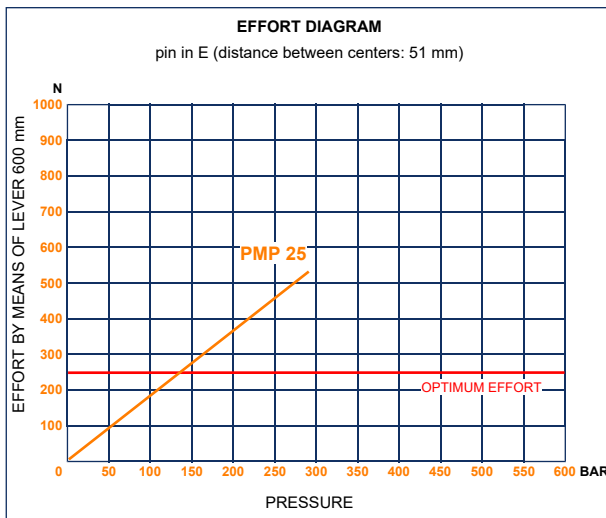
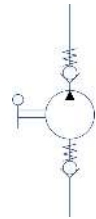
- Specifications:**
- Aluminium body
 - Piston treated with Niploy
 - White zinc plated support lever
 - Lever connection Ø 20
 - White zinc plated external parts

DISPLACEMENT cm ³	A mm	B mm	C mm	D °	E °	ACTUAL DISPLACEMENT cm ³	PRESSURE BAR		MASS KG	CODE WITHOUT BELLOWS	CODE WITH BELLOWS
							OPTIMAL	MAX			
12	--	--	--	--	--	12,265	100	300	2,110	6076.0000	--



PMP 25 e

without release hand knob
 double acting hand pump for a single acting cylinder
 for fixing to a wall



Specifications:

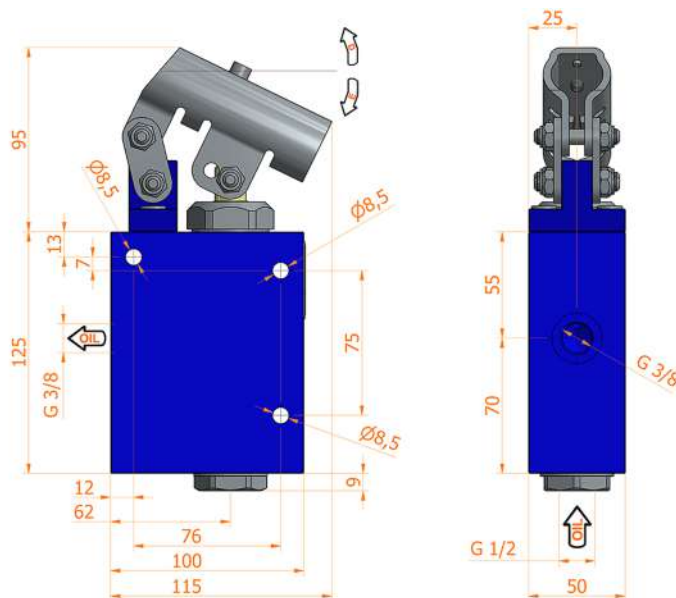
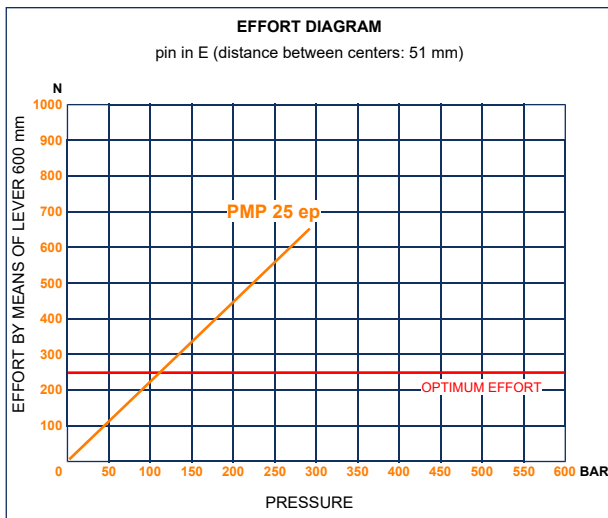
- Anticorodal aluminium body
- Piston treated with Niploy 30 micron for high resistance in salt spray conditions.
- Stainless steel support lever
- Lever connection Ø 27
- White zinc plated external parts

DISPLACEMENT cm ³	A mm	B mm	C mm	D °	E °	ACTUAL DISPLACEMENT cm ³	PRESSURE BAR		MASS KG	CODE WITHOUT BELLOWS	CODE WITH BELLOWS
							OPTIMAL	MAX			
25	270	136	--	26	29	24,285	120	280	3	6075.0101	--



PMP 25 ep

without release hand knob
 double acting hand pump for a single acting cylinder
 for fixing to a wall



Specifications:

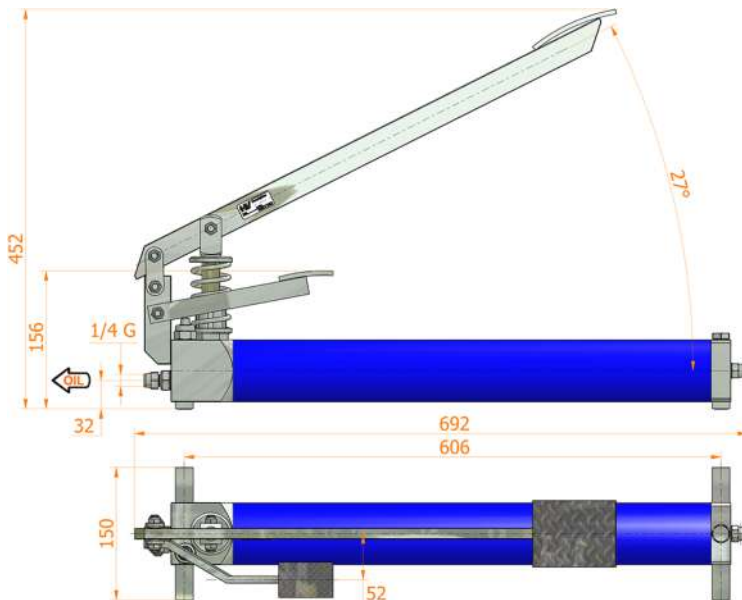
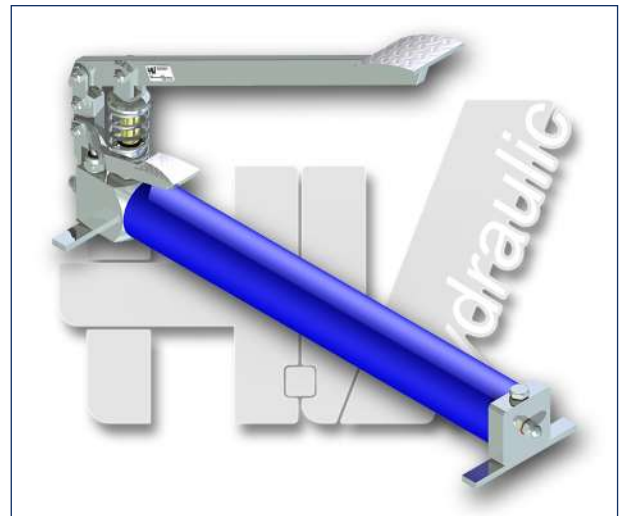
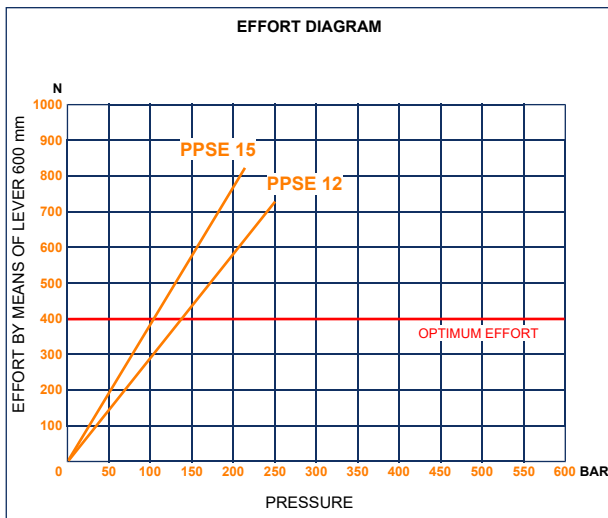
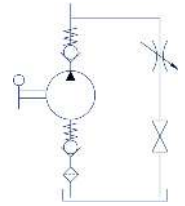
- Anticorodal aluminium body
- Niploy coated piston
- White zinc plated support lever
- Lever connection Ø 27
- White zinc plated external parts

DISPLACEMENT cm ³	A mm	B mm	C mm	D °	E °	ACTUAL DISPLACEMENT cm ³	PRESSURE BAR		MASS KG	CODE WITHOUT BELLOWS	CODE WITH BELLOWS
							OPTIMAL	MAX			
25	--	--	--	31	26	24,040	100	300	2,630	6075.0103	--



PPSE 12-15

with release lever
single acting pump for a single acting cylinder
with 1,5 lt tank



Specifications:

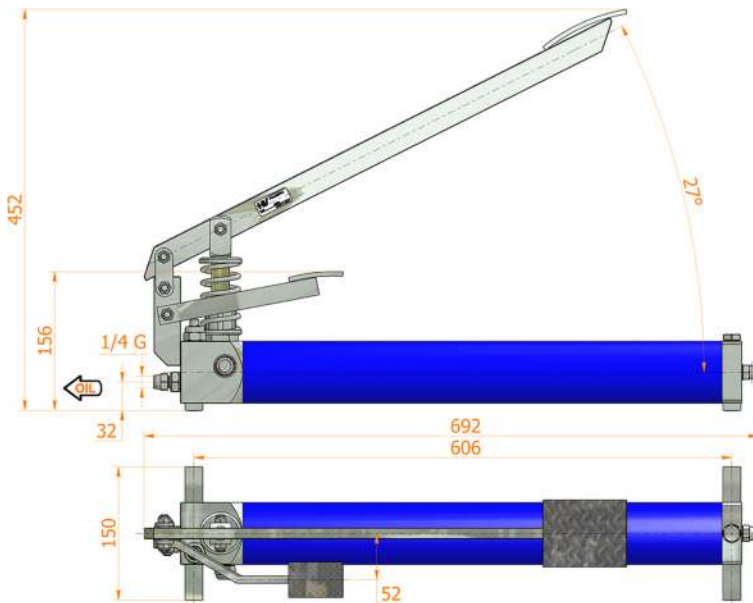
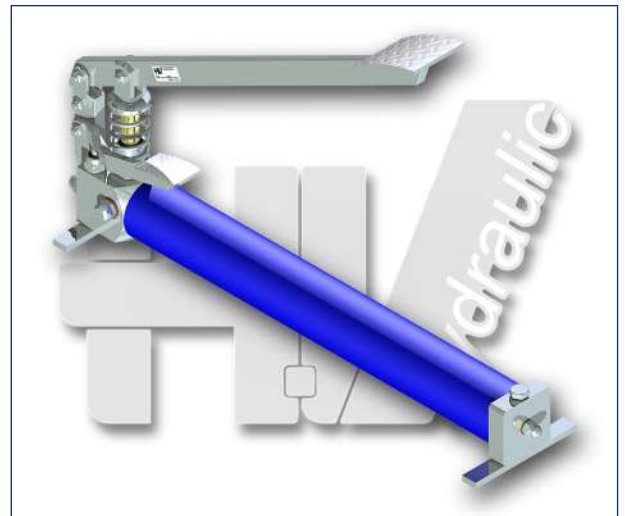
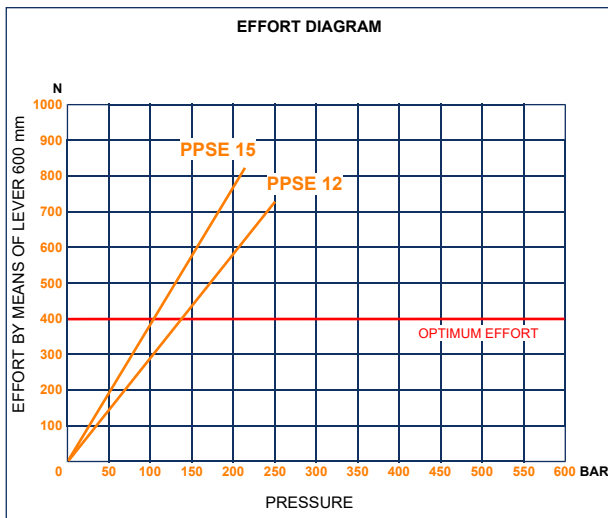
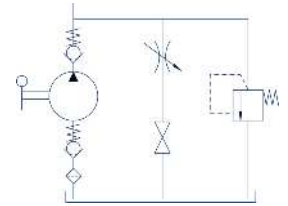
- White zinc plated steel body
- Piston treated with Niploy
- White zinc plated external parts
- Standard colour blue

DISPLACEMENT cm ³	A mm	B mm	C mm	D °	E °	ACTUAL DISPLACEMENT cm ³	PRESSURE BAR		MASS KG	CODE
							OPTIMAL	MAX		
12	--	--	--	--	--	11,445	140	250	10,000	6089.0000
15	--	--	--	--	--	14,130	110	220	10,000	6090.0000



PPSE 12-15 byB

with release lever
with pressure relief valve
single acting pump for a single acting cylinder
with 1,5 lt tank



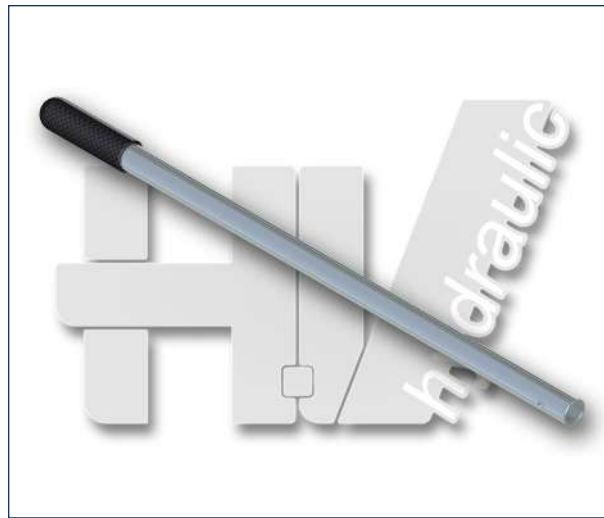
Specifications:

- White zinc plated steel body
- Piston treated with Niploy
- White zinc plated external parts
- Standard colour blue
- Pressure relief valve standard setting: 200 bar

DISPLACEMENT cm ³	A mm	B mm	C mm	D °	E °	ACTUAL DISPLACEMENT cm ³	PRESSURE BAR		MASS KG	CODE
							OPTIMAL	MAX		
12	--	--	--	--	--	11,445	140	250	10,000	6089.0001
15	--	--	--	--	--	14,130	110	220	10,000	6090.0001

LEVER FOR HAND PUMPS

straight lever
white zincate



Specifications:

- Black hand grip
- White zinc plated steel lever

LEVER	A mm	B mm	C mm	S mm	L mm	WEIGHT KG	LEVER FOR HAND PUMP	CODE
L 20x500 zb-d	--	--	--	20	500	0,40	PMSE 8-15	6800.0000

LEVER FOR HAND PUMPS

straight lever
white zincate



Specifications:

- Black hand grip
- White zinc plated steel lever

LEVER	A mm	B mm	C mm	S mm	L mm	WEIGHT KG	LEVER FOR HAND PUMP	CODE
L 27x330 zb-d	--	--	--	27	330	0,50	PM :: PMD :: PMDVB :: PMO :: PMP :: PMSE 20-30-40 :: PM2V 5-80	6800.0005

LEVER FOR HAND PUMPS

straight lever
white zincate



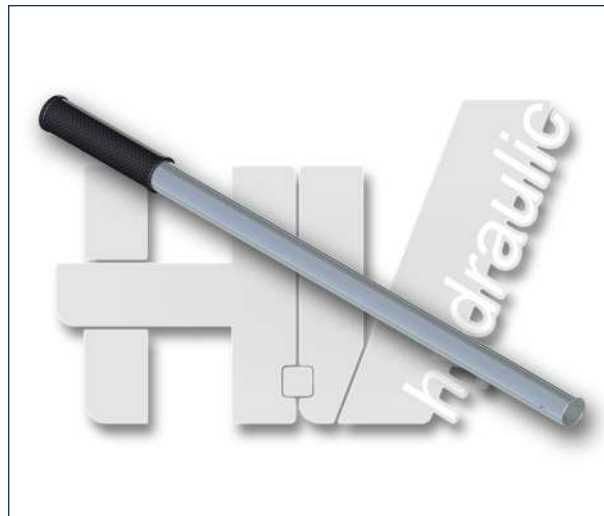
Specifications:

- Black hand grip
- White zinc plated steel lever

LEVER	A mm	B mm	C mm	S mm	L mm	WEIGHT KG	LEVER FOR HAND PUMP	CODE
L 27x400 zb-d	--	--	--	27	400	0,60	PM :: PMD :: PMDVB :: PMO :: PMP :: PMSE 20-30-40 :: PM2V 5-80	6800.0007

LEVER FOR HAND PUMPS

straight lever
white zincate



Specifications:

- Black hand grip
- White zinc plated steel lever

LEVER	A mm	B mm	C mm	S mm	L mm	WEIGHT KG	LEVER FOR HAND PUMP	CODE
L 27x600 zb-d	--	--	--	27	600	0,90	PM :: PMD :: PMDVB :: PMO :: PMP :: PMSE 20-30-40 :: PM2V 5-80	6800.0009

LEVER FOR HAND PUMPS

straight lever
white zincate



Specifications:

- Black hand grip
- White zinc plated steel lever

LEVER	A mm	B mm	C mm	S mm	L mm	WEIGHT KG	LEVER FOR HAND PUMP	CODE
L 27x850 zb-d	--	--	--	27	850	1,20	PM :: PMD :: PMDVB :: PMO :: PMP :: PMSE 20-30-40 :: PM2V 5-80	6800.0011

LEVER FOR HAND PUMPS

straight lever
white zincate



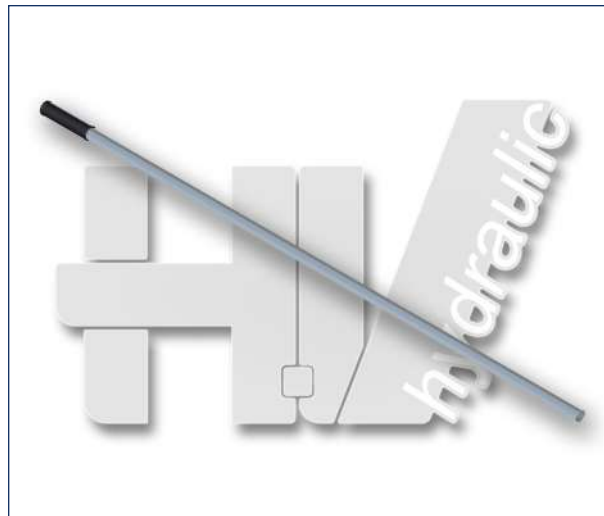
Specifications:

- Black hand grip
- White zinc plated steel lever

LEVER	A mm	B mm	C mm	S mm	L mm	WEIGHT KG	LEVER FOR HAND PUMP	CODE
L 27x1000 zb-d	--	--	--	27	1000	1,50	PM :: PMD :: PMDVB :: PMO :: PMP :: PMSE 20-30-40 :: PM2V 5-80	6800.0013

LEVER FOR HAND PUMPS

straight lever
white zincate



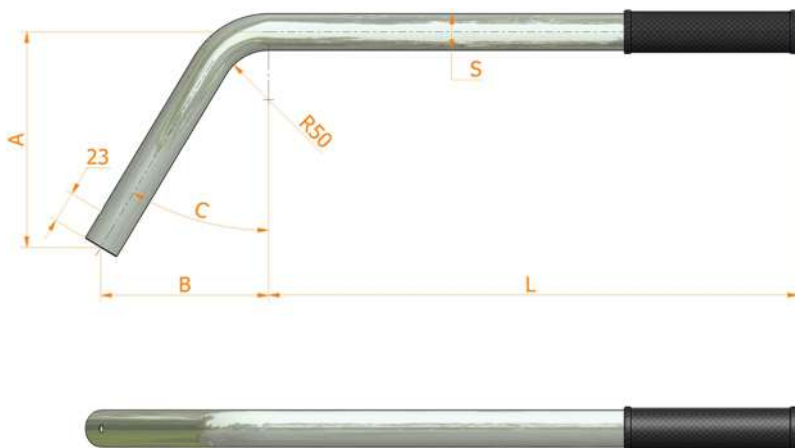
Specifications:

- Black hand grip
- White zinc plated steel lever

LEVER	A mm	B mm	C mm	S mm	L mm	WEIGHT KG	LEVER FOR HAND PUMP	CODE
L 27x1500 zb-d	--	--	--	27	1500	2,20	PM :: PMD :: PMDVB :: PMO :: PMP :: PMSE 20-30-40 :: PM2V 5-80	6800.0027

LEVER FOR HAND PUMPS

fold lever
white zincate



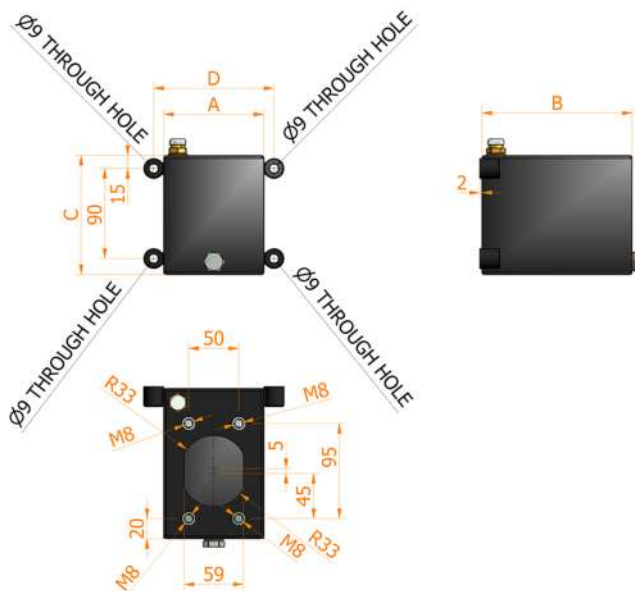
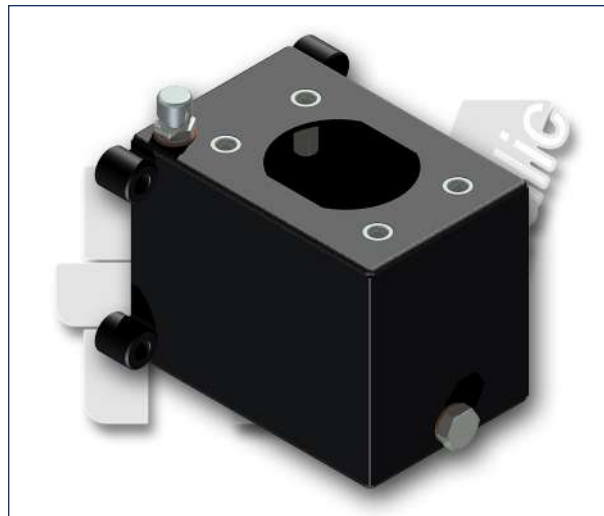
Specifications:

- Black hand grip
- White zinc plated steel lever

LEVER	A mm	B mm	C mm	S mm	L mm	WEIGHT KG	LEVER FOR HAND PUMP	CODE
L 27x600 zb-p	140	100	31	27	415	0,90	PM :: PMD :: PMDVB :: PMO :: PMP :: PMSE 20-30-40 :: PM2V 5-80	6800.0020

STEEL OIL TANK

painted steel oil tank for hand pumps
lt. 1



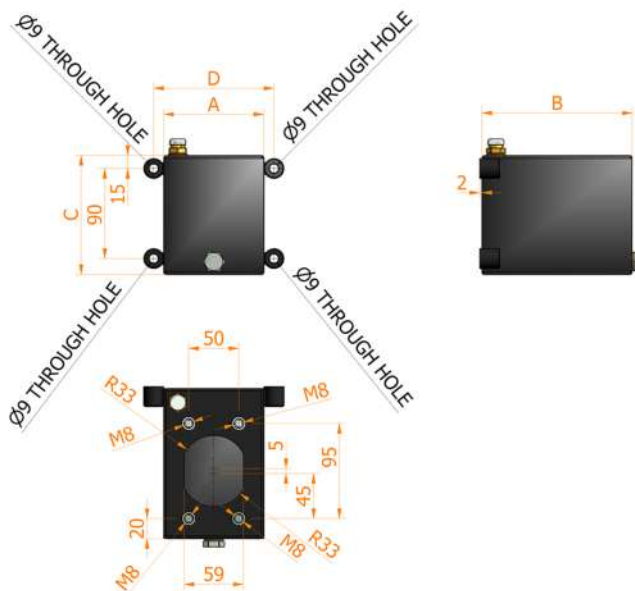
Specifications:

- Model S1 ac 100x150x120
- Suction pipe included
- Breather cap 1/4 G
- Release cap 1/4 G
- Standard colour black

CAPACITY liters	A mm	B mm	C mm	D mm	MASS KG	SUCTION PIPE	CODE
1	100	150	120	120	2,200	Ø10x85 mm	6500.0140

STEEL OIL TANK

Painted steel oil tank for hand pumps
lt. 2



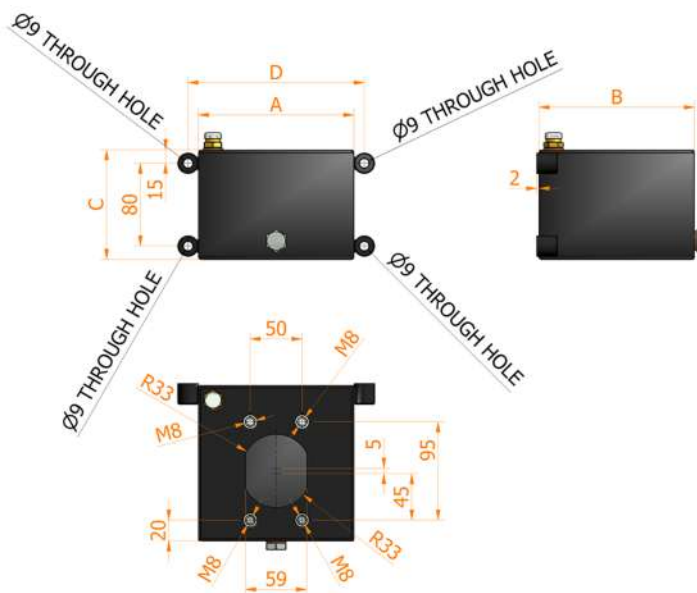
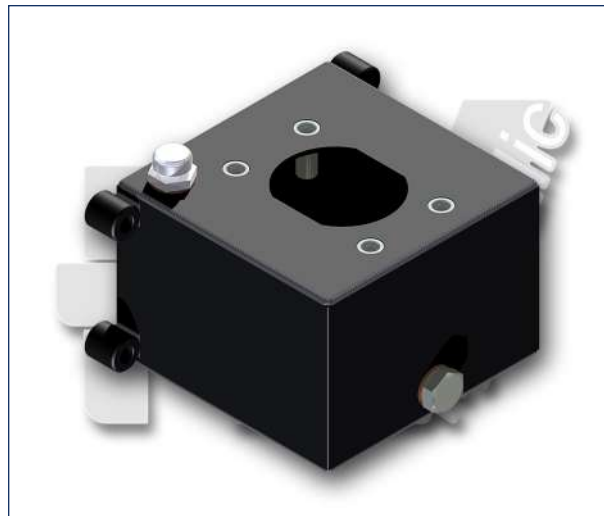
Specifications:

- Model S2 ac 100x150x185
- Suction pipe included
- Breather cap 1/4 G
- Release cap 1/4 G
- Standard colour black

CAPACITY liters	A mm	B mm	C mm	D mm	MASS KG	SUCTION PIPE	CODE
2	100	150	185	120	3,000	Ø10x114 mm	6500.0141

STEEL OIL TANK

Painted steel oil tank for hand pumps
lt. 2



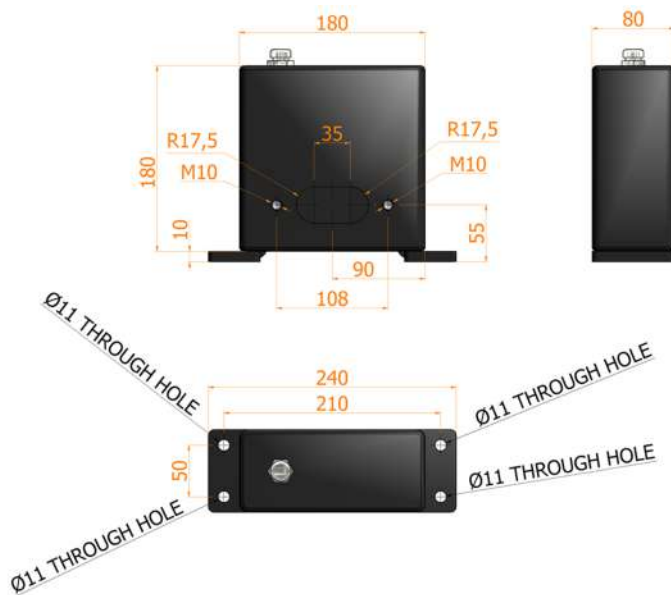
Specifications:

- Model S2 ac 150x150x105
- Suction pipe included
- Breather cap 1/4 G
- Release cap 1/4 G
- Standard colour black

CAPACITY liters	A mm	B mm	C mm	D mm	MASS KG	SUCTION PIPE	CODE
2	150	150	105	170	2,350	Ø10x70 mm	6500.0151

STEEL OIL TANK

painted steel oil tank for hand pumps
lt. 2



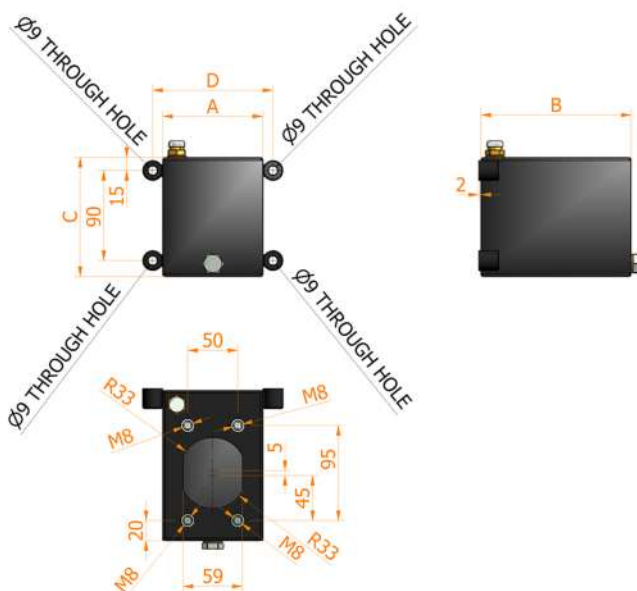
Specifications:

- Model S2 ac suitable to hand pump PM2P 5-10-17
- Breather cap 1/4 G
- Standard colour black

CAPACITY liters	A mm	B mm	C mm	D mm	MASS KG	SUCTION PIPE	CODE
2 x PM2P 5-10-17	--	--	--	--	3,750	--	6500.0201

STEEL OIL TANK

painted steel oil tank for hand pumps
lt. 3



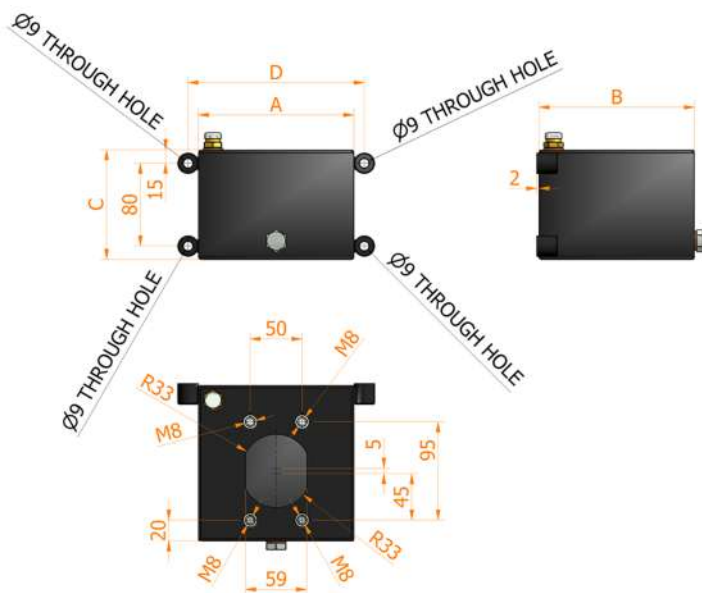
Specifications:

- Model S3 ac 100x150x255
- Suction pipe included
- Breather cap 1/4 G
- Release cap 1/4 G
- Standard colour black

CAPACITY liters	A mm	B mm	C mm	D mm	MASS KG	SUCTION PIPE	CODE
3	100	150	255	120	3,700	Ø10x180 mm	6500.0142

STEEL OIL TANK

Painted steel oil tank for hand pumps
lt. 3



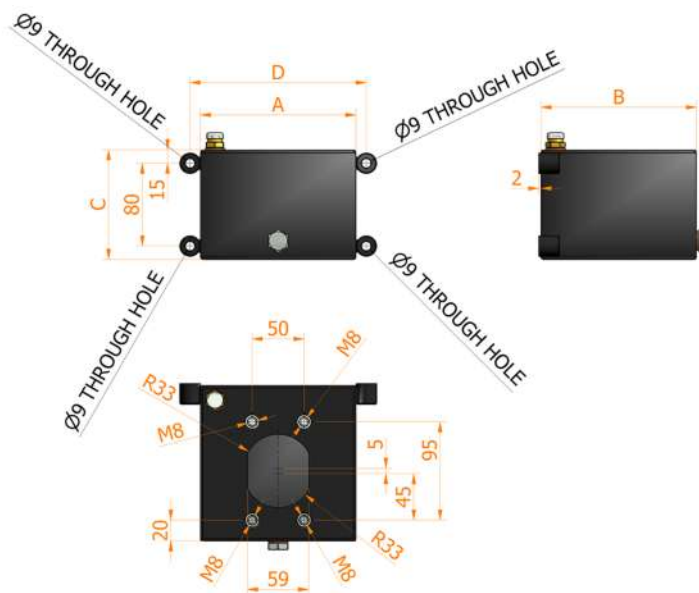
Specifications:

- Model S3 ac 150x150x156
- Suction pipe included
- Breather cap 1/4 G
- Release cap 1/4 G
- Standard colour black

CAPACITY liters	A mm	B mm	C mm	D mm	MASS KG	SUCTION PIPE	CODE
3	150	150	156	170	3,000	Ø10x120 mm	6500.0152

STEEL OIL TANK

Painted steel oil tank for hand pumps
lt. 5



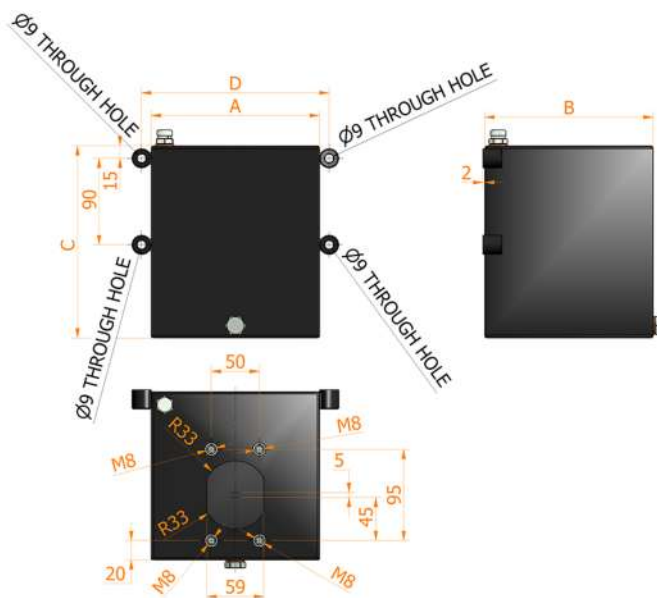
Specifications:

- Model S5 ac 150x150x245
- Suction pipe included
- Breather cap 1/4 G
- Release cap 1/4 G
- Standard colour black

CAPACITY liters	A mm	B mm	C mm	D mm	MASS KG	SUCTION PIPE	CODE
5	150	150	245	170	3,100	$\varnothing 10 \times 200$ mm	6500.0153

STEEL OIL TANK

Painted steel oil tank for hand pumps
lt. 5



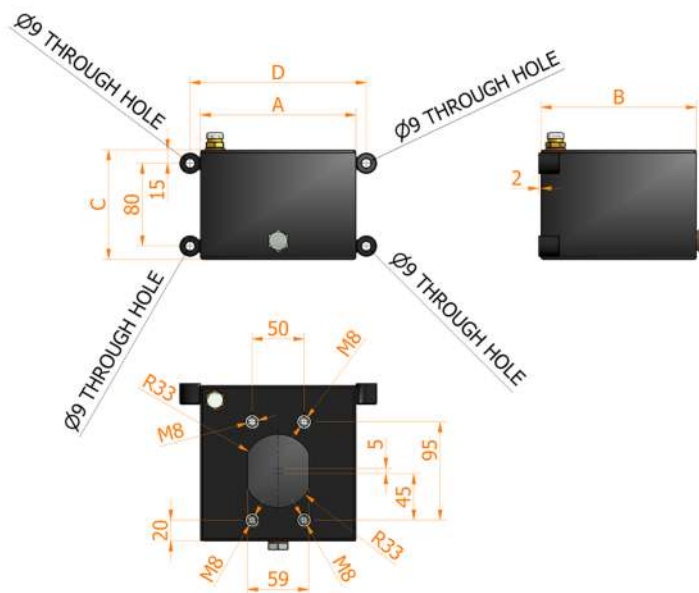
Specifications:

- Model S5 ac 175x175x200
- Suction pipe included
- Breather cap 1/4 G
- Release cap 1/4 G
- Standard colour black

CAPACITY liters	A mm	B mm	C mm	D mm	MASS KG	SUCTION PIPE	CODE
5	175	175	200	195	5,300	Ø10x156 mm	6500.0143

STEEL OIL TANK

Painted steel oil tank for hand pumps
lt. 7



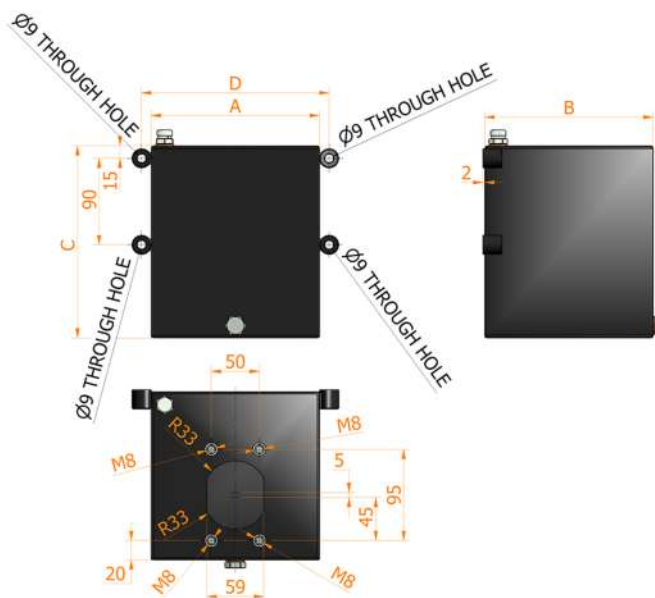
Specifications:

- Model S7 ac 150x150x340
- Suction pipe included
- Breather cap 1/4 G
- Release cap 1/4 G
- Standard colour black

CAPACITY liters	A mm	B mm	C mm	D mm	MASS KG	SUCTION PIPE	CODE
7	150	150	340	170	5,300	Ø10x280 mm	6500.0154

STEEL OIL TANK

Painted steel oil tank for hand pumps
lt. 7



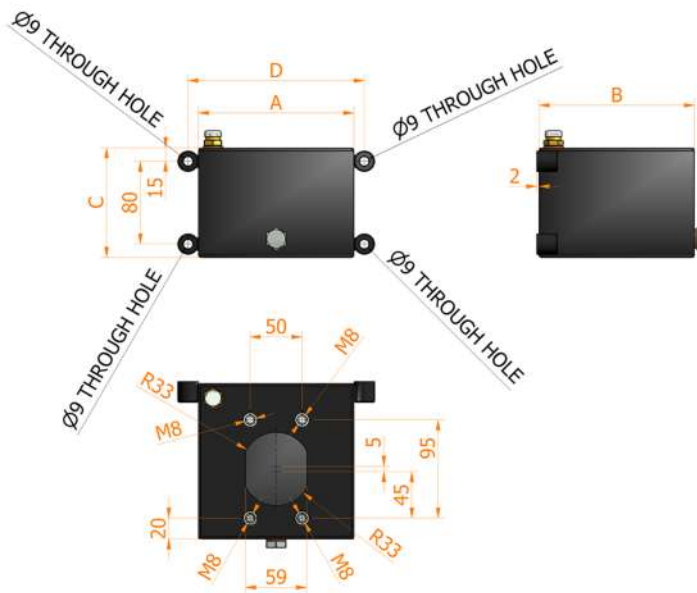
Specifications:

- Model S7 ac 175x175x275
- Suction pipe included
- Breather cap 1/4 G
- Release cap 1/4 G
- Standard colour black

CAPACITY liters	A mm	B mm	C mm	D mm	MASS KG	SUCTION PIPE	CODE
7	175	175	275	195	6,600	Ø10x215 mm	6500.0144

STEEL OIL TANK

Painted steel oil tank for hand pumps
lt. 10



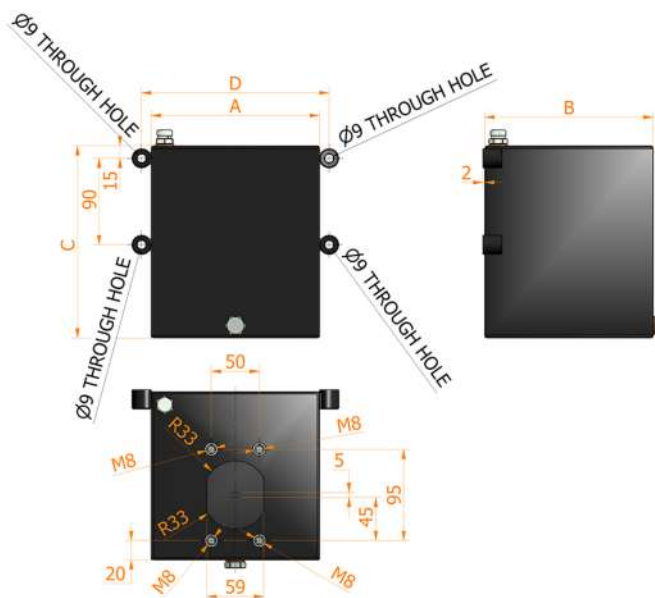
Specifications:

- Model S10 ac 150x150x485
- Suction pipe included
- Breather cap 1/4 G
- Release cap 1/4 G
- Standard colour black

CAPACITY liters	A mm	B mm	C mm	D mm	MASS KG	SUCTION PIPE	CODE
10	150	150	485	170	7,100	Ø10x245 mm	6500.0155

STEEL OIL TANK

painted steel oil tank for hand pumps
lt. 10



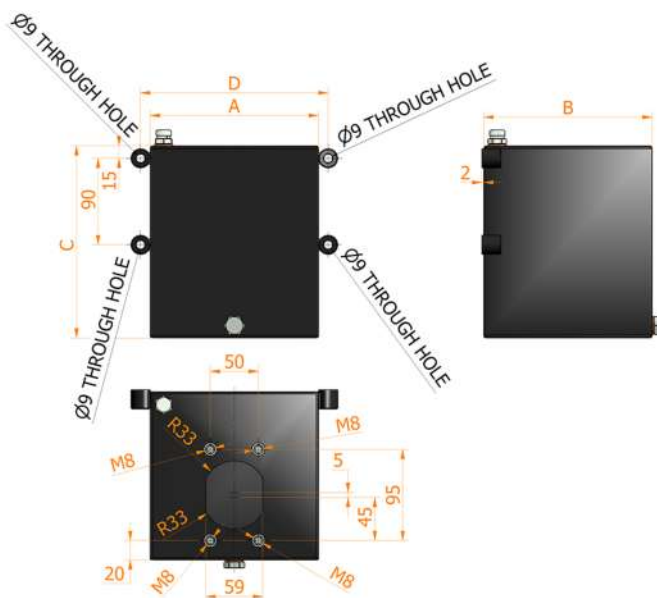
Specifications:

- Model S10 ac 175x175x380
- Suction pipe included
- Breather cap 1/4 G
- Release cap 1/4 G
- Standard colour black

CAPACITY liters	A mm	B mm	C mm	D mm	MASS KG	SUCTION PIPE	CODE
10	175	175	380	195	8,300	Ø10x325 mm	6500.0145

STEEL OIL TANK

Painted steel oil tank for hand pumps
lt. 13



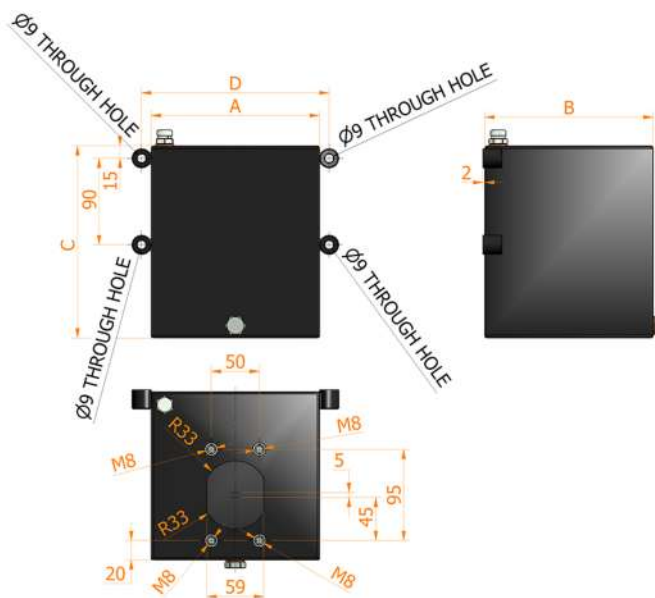
Specifications:

- Model S13 ac 175x175x485
- Suction pipe included
- Breather cap 1/4 G
- Release cap 1/4 G
- Standard colour black

CAPACITY liters	A mm	B mm	C mm	D mm	MASS KG	SUCTION PIPE	CODE
13	175	175	485	195	10,750	Ø10x425 mm	6500.0147

STEEL OIL TANK

Painted steel oil tank for hand pumps
lt. 15



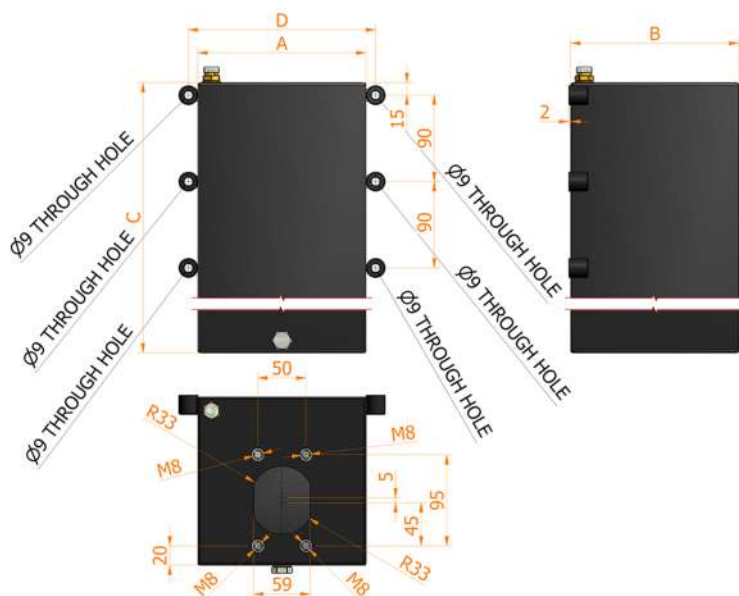
Specifications:

- Model S15 ac 175x175x600
- Suction pipe included
- Breather cap 1/4 G
- Release cap 1/4 G
- Standard colour black

CAPACITY liters	A mm	B mm	C mm	D mm	MASS KG	SUCTION PIPE	CODE
15	175	175	600	195	12,100	Ø10x540	6500.0148

STEEL OIL TANK

Painted steel oil tank for hand pumps
lt. 20



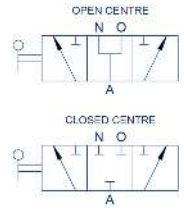
Specifications:

- Model S20 ac 175x175x780
- Suction pipe included
- Breather cap 1/4 G
- Release cap 1/4 G
- Standard colour black

CAPACITY liters	A mm	B mm	C mm	D mm	MASS KG	SUCTION PIPE	CODE
20	175	175	780	195	16,000	Ø10x720 mm	6500.0149

D3

3 ways flow divider



Specifications:

- Iron cast body
- White zinc plated external parts
- Standard colour black

O-N-A GAS	FLOW liters/min	PRESSURE BAR	B mm	C mm	D mm	E mm	F mm	G mm	H mm	L mm	M mm	MASS KG	CODE OF OPEN CENTRE	CODE OF CLOSED CENTRE
1/4"	60	350	70	25	8,5	32	75,5	21	57	115	155,5	0,800	7000.0104	7000.0111
3/8"	60	350	70	25	8,5	32	75,5	21	57	115	155,5	0,800	7000.0100	7000.0107
1/2"	90	350	80	32	8,5	36	86	24	63	115	161	1,200	7000.0101	7000.0108
3/4"	120	350	90	32	10,5	42	98,5	26	67	115	168,5	1,800	7000.0102	7000.0109
1"	200	300	98	32	10,5	50	110	31	77	115	176,5	2,700	7000.0103	7000.0110

HV Hydraulic S.r.l.

www.hvhydraulic.com - info@hvhydraulic.com

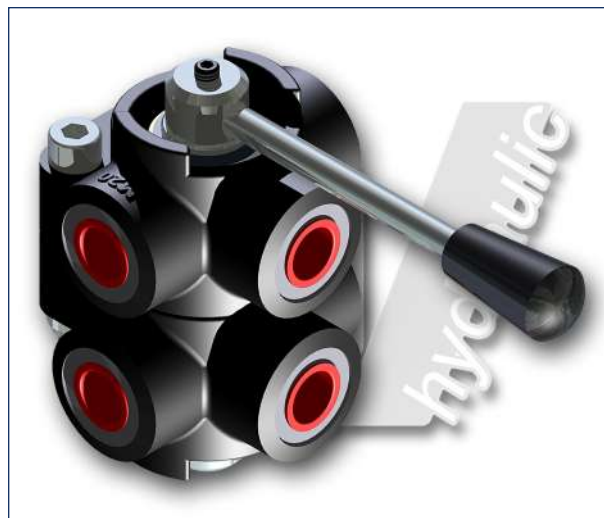
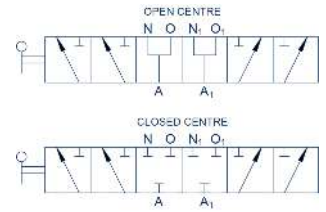
Via dell'Agricoltura, 162 - Loc. Castelletto di Serravalle - 40053 Valsamoggia (BO) Italy - Tel. +39 051 670.50.11 - Fax +39 051 670.53.74

© ALL RIGHTS RESERVED

hydraulic diagram

D6

6 ways flow divider



Specifications:

- Iron cast body
- White zinc plated external parts
- Standard colour black

O-N-A GAS	FLOW liters/min	PRESSURE BAR	B mm	C mm	D mm	E mm	F mm	G mm	H mm	L mm	M mm	MASS KG	CODE OF OPEN CENTRE	CODE OF CLOSED CENTRE
1/4"	60+60	350	70	25	8,5	32	75,5	21	112	115	155,5	1,500	7003.0104	7003.0111
3/8"	60+60	350	70	25	8,5	32	75,5	21	112	115	155,5	1,500	7003.0100	7003.0107
1/2"	60+90	350	80	32	8,5	36	86	24	124	115	161	2,300	7003.0101	7003.0108
3/4"	120+120	350	90	32	10,5	42	98,5	26	132	115	168,5	3,500	7003.0102	7003.0109
1"	200+200	300	98	32	10,5	50	110	31	152	115	176,5	5,300	7003.0103	7003.0110

HV Hydraulic S.r.l.

www.hvhydraulic.com - info@hvhydraulic.com

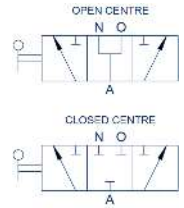
Via dell'Agricoltura, 162 - Loc. Castelletto di Serravalle - 40053 Valsamoggia (BO) Italy - Tel. +39 051 670.50.11 - Fax +39 051 670.53.74

© ALL RIGHTS RESERVED



D3 SAE

3 ways flow divider



Specifications:

- Iron cast body
- White zinc plated external parts
- Standard colour black

O-N-A SAE	FLOW liters/min	PRESSURE BAR	B mm	C mm	D mm	E mm	F mm	G mm	H mm	L mm	M mm	MASS KG	CODE OF OPEN CENTRE	CODE OF CLOSED CENTRE
3/4 - 16	60	350	70	25	8,5	32	75,5	21	57	115	155,5	0,800	7000.0200	7000.0207
7/8 - 14	90	350	80	32	8,5	36	86	24	63	115	161	1,200	7000.0201	7000.0208
1 1/16 - 12	120	350	90	32	10,5	42	98,5	26	67	115	168,5	1,800	7000.0202	7000.0209
1 5/16 - 12	200	300	98	32	10,5	50	110	31	77	115	176,5	2,700	7000.0203	7000.0210

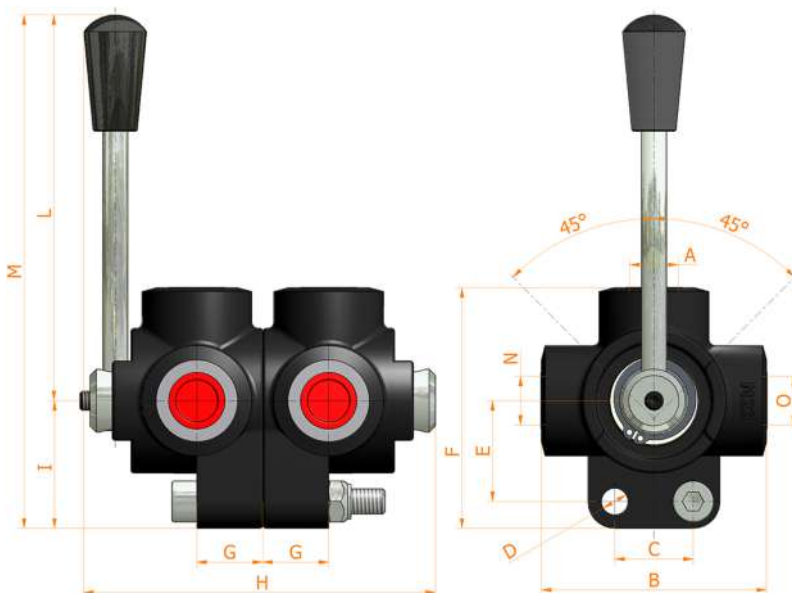
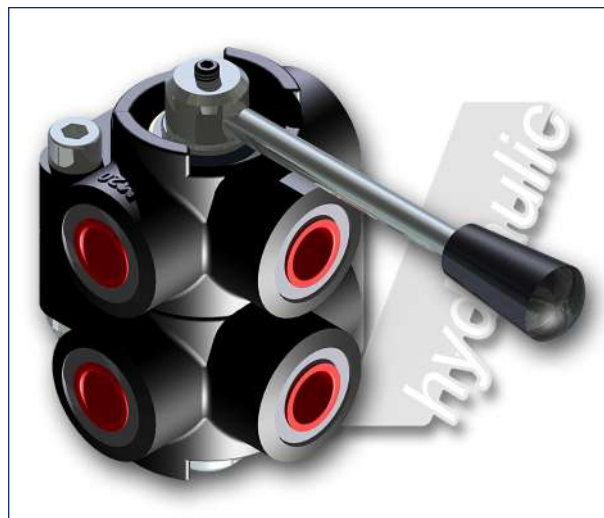
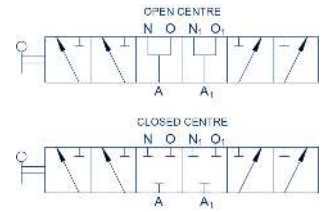
HV Hydraulic S.r.l.

www.hvhydraulic.com - info@hvhydraulic.com
 Via dell'Agricoltura, 162 - Loc. Castelletto di Serravalle - 40053 Valsamoggia (BO) Italy - Tel. +39 051 670.50.11 - Fax +39 051 670.53.74
 © ALL RIGHTS RESERVED



D6 SAE

6 ways flow divider



Specifications:

- Iron cast body
- White zinc plated external parts
- Standard colour black

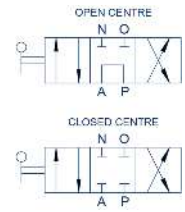
O-N-A SAE	FLOW liters/min	PRESSURE BAR	B mm	C mm	D mm	E mm	F mm	G mm	H mm	L mm	M mm	MASS KG	CODE OF OPEN CENTRE	CODE OF CLOSED CENTRE
3/4 - 16	60+60	350	70	25	8,5	32	75,5	21	112	115	155,5	1,500	7003.0200	7003.0207
7/8 - 14	90+90	350	80	32	8,5	36	86	24	124	115	161	2,300	7003.0201	7003.0208
1 1/16 - 12	120+120	350	90	32	10,5	42	98,5	26	132	115	168,5	3,500	7003.0202	7003.0209
1 5/16 - 12	200+200	300	98	32	10,5	50	110	31	152	115	176,5	5,300	7003.0203	7003.0210

HV Hydraulic S.r.l.



D4

4 ways flow inverter



Specifications:

- Iron cast body
- White zinc plated external parts
- Standard colour black

O-N-A GAS	FLOW liters/min	PRESSURE BAR	B mm	C mm	D mm	E mm	F mm	G mm	H mm	L mm	M mm	MASS KG	CODE OF OPEN CENTRE	CODE OF CLOSED CENTRE
1/4"	60	350	80	54	8,5	28	80	24	63	115	155	1,200	7001.0104	7001.0111
3/8"	60	350	80	54	8,5	28	80	24	63	115	155	1,200	7001.0100	7001.0107
1/2"	90	350	80	54	8,5	28	80	24	63	115	155	1,100	7001.0101	7001.0108
3/4"	120	350	94	74	10,5	38	94	31	77	115	162	2,200	7001.0102	7001.0109
1"	200	300	94	74	10,5	38	94	31	77	115	162	2,000	7001.0103	7001.0110

HV Hydraulic S.r.l.

www.hvhydraulic.com - info@hvhydraulic.com

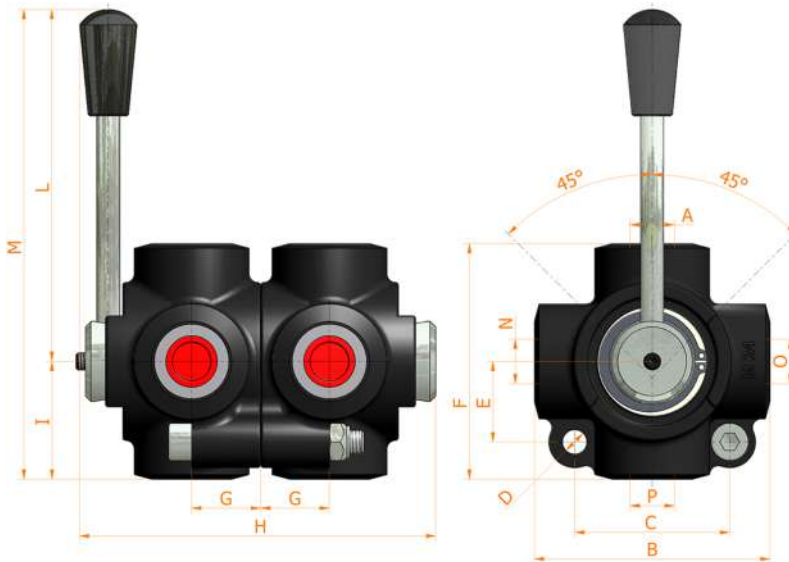
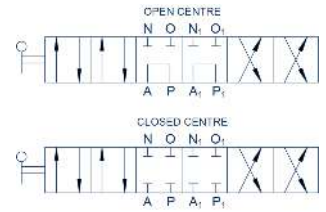
Via dell'Agricoltura, 162 - Loc. Castelletto di Serravalle - 40053 Valsamoggia (BO) Italy - Tel. +39 051 670.50.11 - Fax +39 051 670.53.74

© ALL RIGHTS RESERVED

hydraulic diagram

D8

8 ways flow inverter



Specifications:

- Iron cast body
- White zinc plated external parts
- Standard colour black

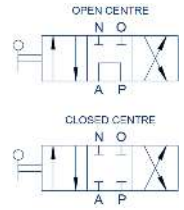
O-N-A GAS	FLOW liters/min	PRESSURE BAR	B mm	C mm	D mm	E mm	F mm	G mm	H mm	L mm	M mm	MASS KG	CODE OF OPEN CENTRE	CODE OF CLOSED CENTRE
1/4"	60+60	350	80	54	8,5	20	80	24	124	115	155	2,300	7005.0104	7005.0111
3/8"	60+60	350	80	54	8,5	28	80	24	124	115	155	2,300	7005.0100	7005.0107
1/2"	60+90	350	80	54	8,5	28	80	24	124	115	155	2,100	7005.0101	7005.0108
3/4"	120+120	350	94	74	10,5	38	94	31	152	115	162	4,300	7005.0102	7005.0109
1"	200+200	300	94	74	10,5	38	94	31	152	115	162	4,000	7005.0103	7005.0110

HV Hydraulic S.r.l.



D4 SAE

4 ways flow inverter



Specifications:

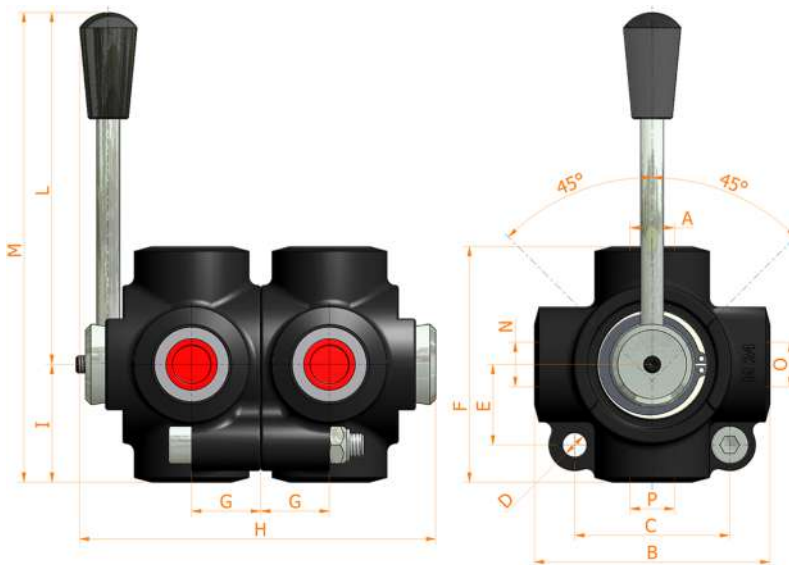
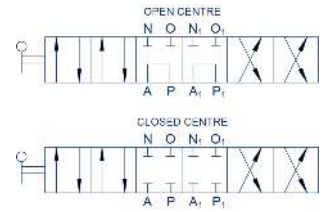
- Iron cast body
- White zinc plated external parts
- Standard colour black

O-N-A SAE	FLOW liters/min	PRESSURE BAR	B mm	C mm	D mm	E mm	F mm	G mm	H mm	L mm	M mm	MASS KG	CODE OF OPEN CENTRE	CODE OF CLOSED CENTRE
3/4 - 16	60	350	80	54	8,5	28	80	24	63	115	155	1,200	7001.0200	7001.0207
7/8 - 14	90	350	80	54	8,5	28	80	24	63	115	155	1,100	7001.0201	7001.0208
1 1/16 - 12	120	350	94	74	10,5	38	94	31	77	115	162	2,200	7001.0202	7001.0209
1 5/16 - 12	200	300	94	74	10,5	38	94	31	77	115	162	2,000	7001.0203	7001.0210

hydraulic diagram

D8 SAE

8 ways flow inverter



Specifications:

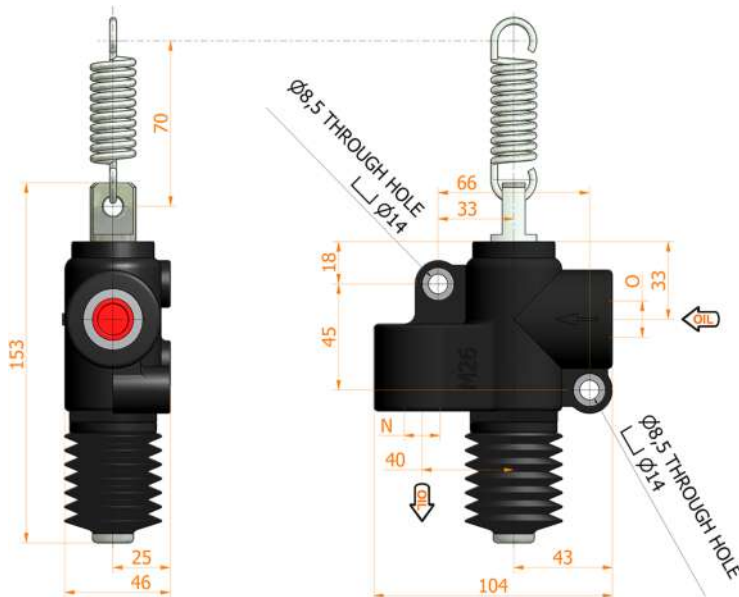
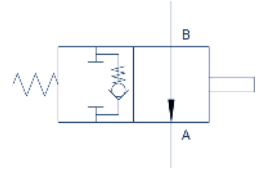
- Iron cast body
- White zinc plated external parts
- Standard colour black

O-N-A SAE	FLOW liters/min	PRESSURE BAR	B mm	C mm	D mm	E mm	F mm	G mm	H mm	L mm	M mm	MASS KG	CODE OF OPEN CENTRE	CODE OF CLOSED CENTRE
3/4 - 16	60+60	350	80	54	8,5	28	80	24	124	115	155	2,300	7005.0200	7005.0207
7/8 - 14	90+90	350	80	54	8,5	28	80	24	124	115	155	2,100	7005.0201	7005.0208
1 1/16 - 12	120+120	350	94	74	10,5	38	94	31	152	115	162	4,300	7005.0202	7005.0209
1 5/16 - 12	200+200	300	94	74	10,5	38	94	31	152	115	162	4,000	7005.0203	7005.0210

HV Hydraulic S.r.l.

VFC 1/2 GAS na

normally open
2 position
with mechanic control
for tipping trucks



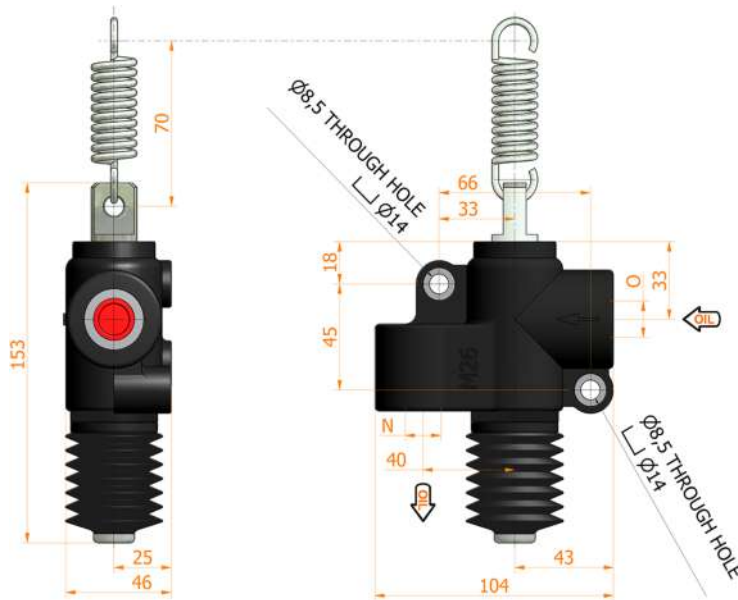
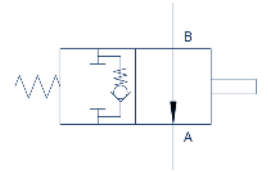
Specifications:

- Cast iron body
- Piston treated with Niploy
- White zinc plated external parts
- Standard colour black

N-O GAS	A mm	B mm	C mm	D °	E °	FLOW liters/min	PRESSURE BAR		MASS KG	CODE
							OPTIMAL	MAX		
1/2	--	--	--	--	--	80	--	250	1,800	6200.0012

VFC 3/4 GAS na

normally open
2 position
with mechanic control
for tipping trucks



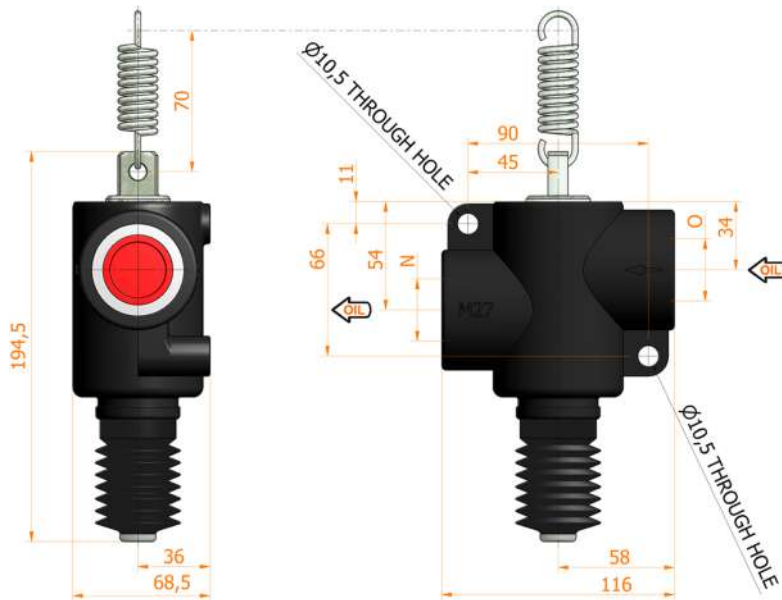
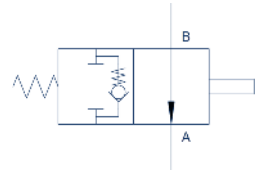
Specifications:

- Cast iron body
- Piston treated with Niploy
- White zinc plated external parts
- Standard colour black

N-O GAS	A mm	B mm	C mm	D °	E °	FLOW liters/min	PRESSURE BAR		MASS KG	CODE
							OPTIMAL	MAX		
3/4	--	--	--	--	--	100	--	250	1,900	6200.0014

VFC 1 GAS na

normally open
2 position
with mechanic control
for tipping trucks



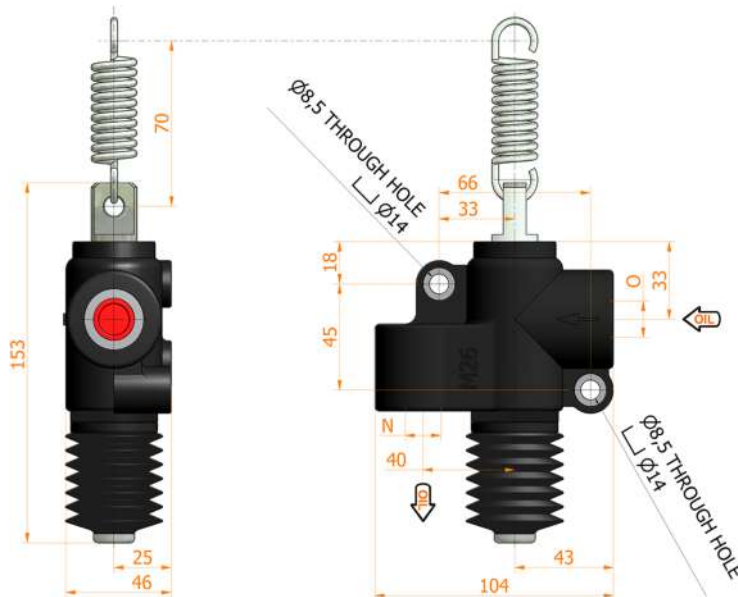
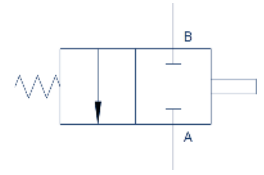
Specifications:

- Cast iron body
- Piston treated with Niploy
- White zinc plated external parts
- Standard colour black

N-O GAS	A mm	B mm	C mm	D °	E °	FLOW liters/min	PRESSURE BAR		MASS KG	CODE
							OPTIMAL	MAX		
1	--	--	--	--	--	140	--	200	2,500	62000016

VFC 3/8 GAS nc

normally closed
2 position
with mechanic control
for tipping trucks



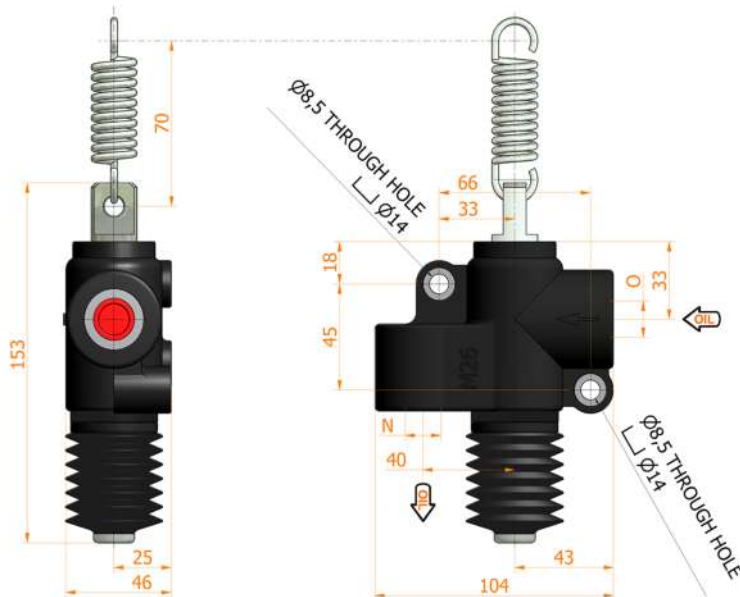
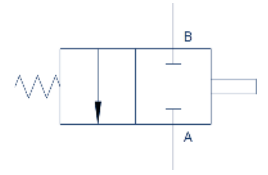
Specifications:

- Cast iron body
- Piston treated with Niploy
- White zinc plated external parts
- Standard colour black

N-O GAS	A mm	B mm	C mm	D °	E °	FLOW liters/min	PRESSURE BAR		MASS KG	CODE
							OPTIMAL	MAX		
3/8	--	--	--	--	--	60	--	250	1,700	6200.0011

VFC 3/4 GAS nc

normally closed
2 position
with mechanic control
for tipping trucks



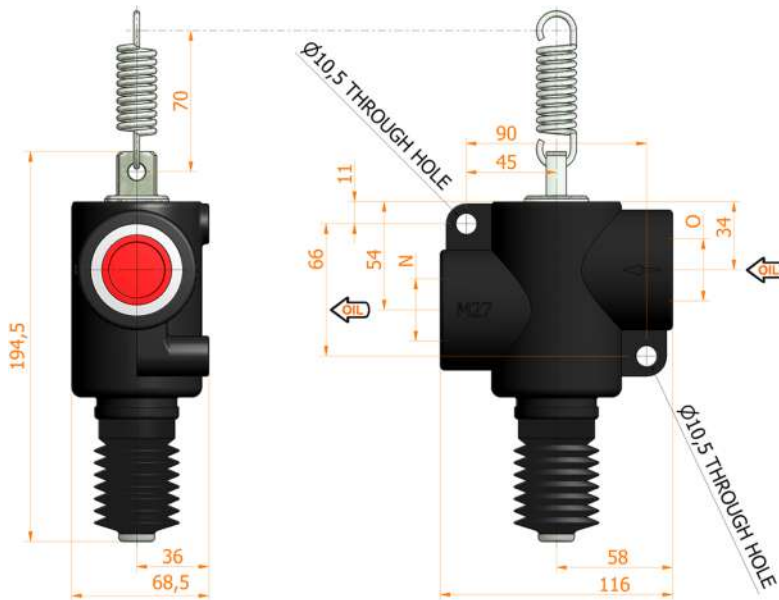
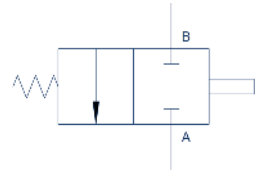
Specifications:

- Cast iron body
- Piston treated with Niploy
- White zinc plated external parts
- Standard colour black

N-O GAS	A mm	B mm	C mm	D °	E °	FLOW liters/min	PRESSURE BAR		MASS KG	CODE
							OPTIMAL	MAX		
3/4	--	--	--	--	--	100	--	250	1,900	6200.0015

VFC 1 GAS nc

normally closed
2 position
with mechanic control
for tipping trucks



Specifications:

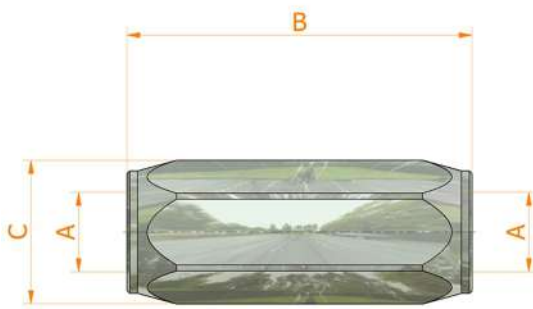
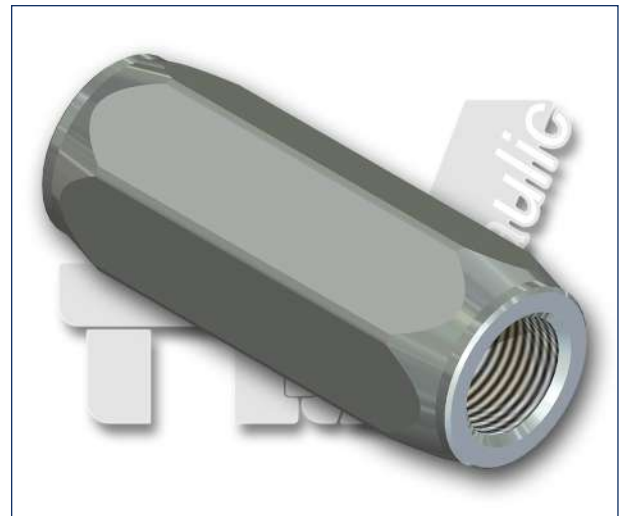
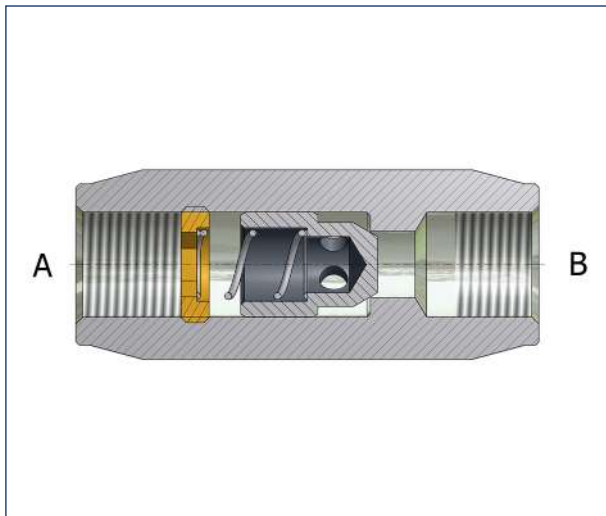
- Cast iron body
- Piston treated with Niploy
- White zinc plated external parts
- Standard colour black

N-O GAS	A mm	B mm	C mm	D °	E °	FLOW liters/min	PRESSURE BAR		MASS KG	CODE
							OPTIMAL	MAX		
1	--	--	--	--	--	140	--	200	2,500	6200.0017



VRU

in line
check valve



Specifications:

- Zinc plated steel body
- Heat treated components

Upon demand:

- Spring 4 bar
- Spring 8 bar



VRU

 in line
check valve

SPECIFICATIONS

DIMENSIONS	005	010	015	020	030	040	050	060	070
MAX. PRESSURE BAR	400	400	400	400	350	300	270	250	200
MAX. DISPLACEMENT (CONE) l/min	15	25	25	40	80	110	140	200	300
MAX. DISPLACEMENT (BALL) l/min	-	15	15	28	50	80	-	-	-

WEIGHT AND DIMENSIONS

DIMENSIONS	A GAS	A NPT	A SAE	B	C	CH	WEIGHT KG
005	-	-	7/16 - 20	60	21	19	0,10
010	1/4	1/4	-	60	21	19	0,10
015	-	-	9/16 - 18	60	21	19	0,10
020	3/8	3/8	3/4 - 16	66	27	24	0,18
030	1/2	1/2	7/8 - 14	76	33	30	0,31
040	3/4	3/4	11/16 - 12	94	40	36	0,56
050	1	1	15/16 - 12	106	59	45	0,91
060	1 1/4	1 1/4	1 5/8 - 12	123	63	55	1,48
070	1 1/2	1 1/2	1 7/8 - 12	138	74	65	2,37

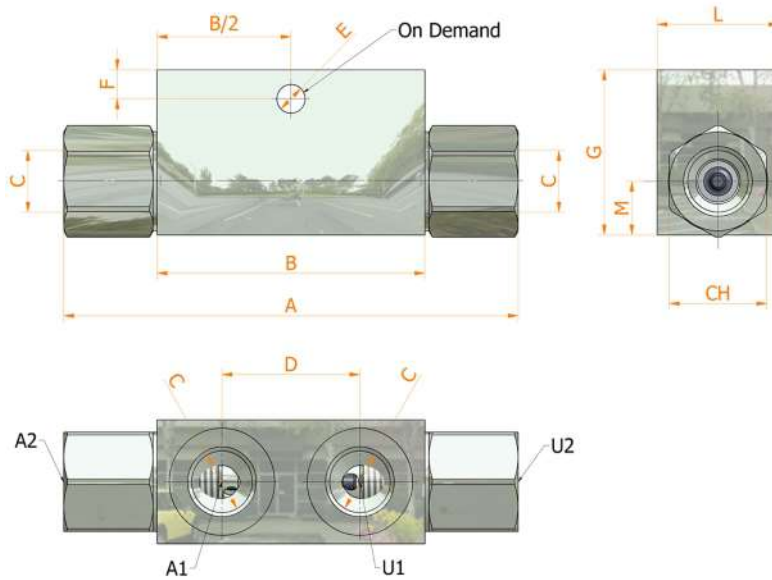
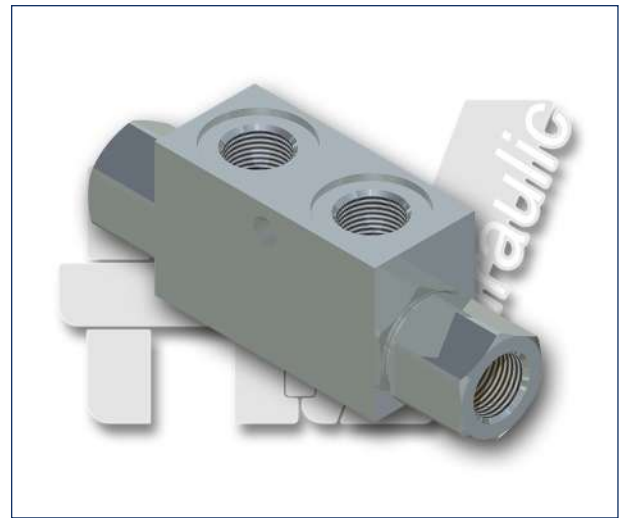
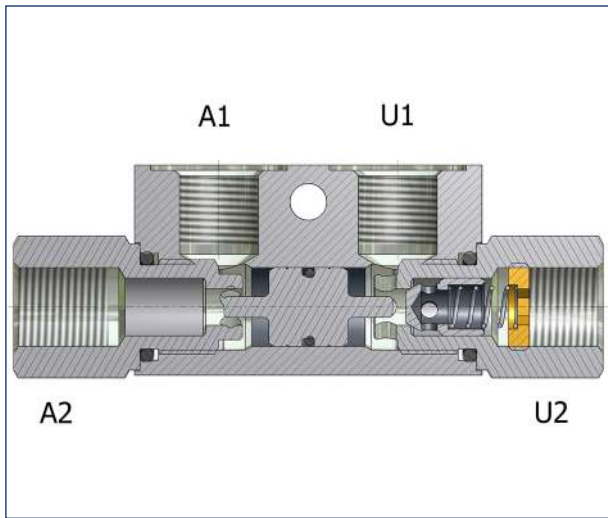
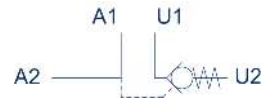
ITEM CODE

VRU						
	G GAS		GAS	NPT	SAE	
	N NPT					
	S SAE					
		005	-	-	7/16 - 20	
		010	1/4	1/4	-	
		015	-	-	9/16 - 18	
		020	3/8	3/8	3/4 - 16	
		030	1/2	1/2	7/8 - 14	
		040	3/4	3/4	11/16 - 12	
		050	1	1	15/16 - 12	
		060	1 1/4	1 1/4	1 5/8 - 12	
		070	1 1/2	1 1/2	1 7/8 - 12	
						C CONE
						S BALL
						1 SPRING 0,5
						4 SPRING 4
						8 SPRING 8



VBSE

inline single acting
pilot operated
check valve



Specifications:

- Zinc plated steel body
- Heat treated components

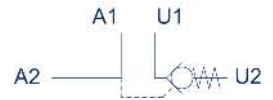
Upon demand:

- Spring 0,5 bar
- Spring 8 bar



VBSE

inline single acting
pilot operated
check valve



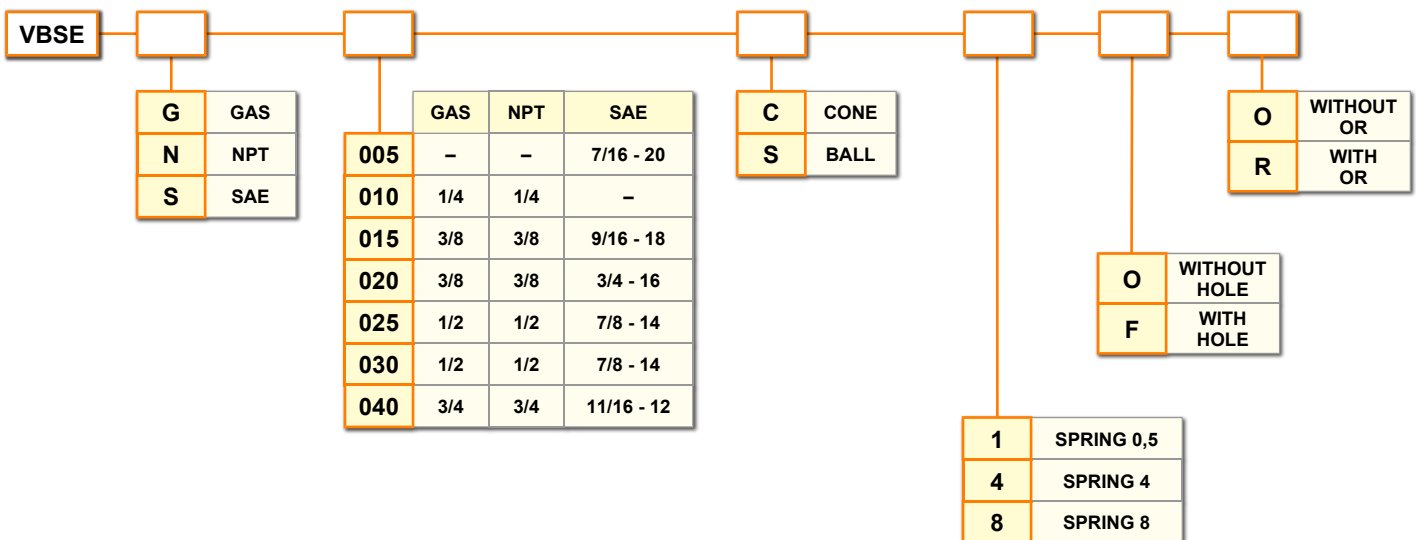
SPECIFICATIONS

DIMENSIONS	005	010	015	020	25	30	40		
MAX. PRESSURE BAR	350	350	350	350	300	300	300		
RATED FLOW lt/min	15	20	20	50	50	80	120		
PILOT RATIO	1: 4,5	1: 4,5	1: 4,5	1: 4,5	1: 4,5	1: 4	1: 4		
OPENING PRESSURE BAR	4	4	4	4	4	4	4		

WEIGHT AND DIMENSIONS

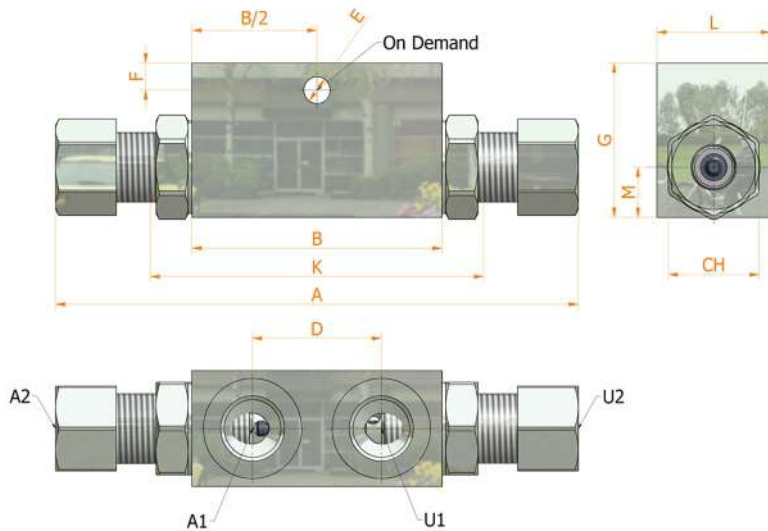
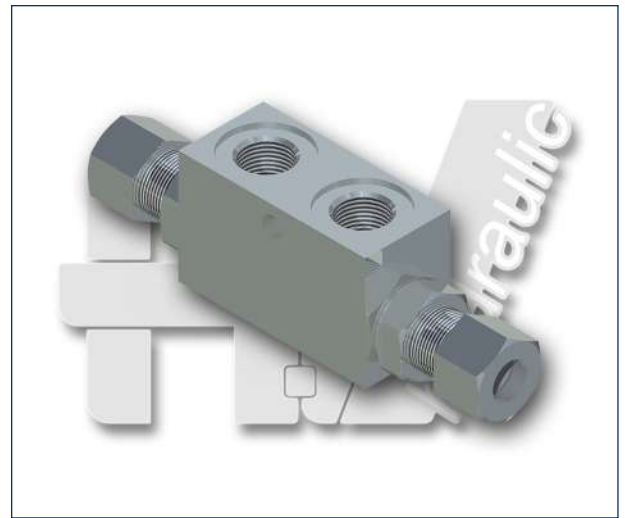
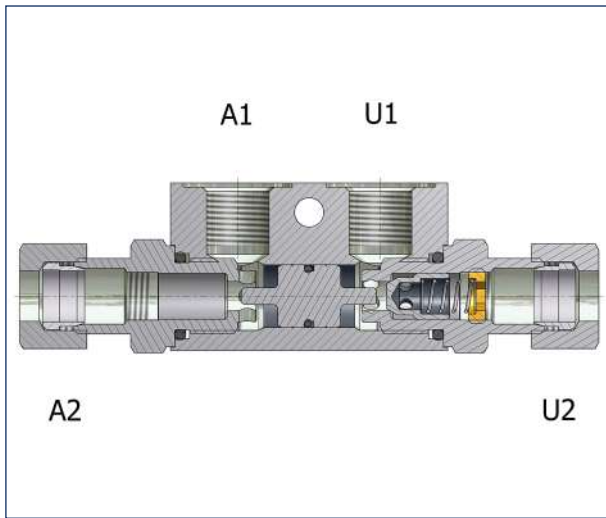
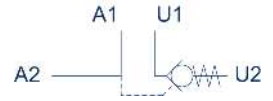
DIMENSIONS	A	B	C GAS	C NPT	C SAE	D	E	F	G	L	M	CH	WEIGHT KG
005	112	66	-	-	7/16 - 20	34	7,0	7,0	40	30	13	24	0,70
010	112	66	1/4	1/4	-	34	7,0	7,0	40	30	13	24	0,69
015	112	66	3/8	3/8	9/16 - 18	34	7,0	7,0	40	30	13	24	0,65
020	133	76	3/8	3/8	3/4 - 16	40	8,5	15,0	50	30	16	27	0,95
025	137	76	1/2	1/2	7/8 - 14	40	8,5	15,0	50	30	16	27	0,90
030	150	77	1/2	1/2	7/8 - 14	40	8,5	15,0	60	40	20	30	1,50
040	205	105	3/4	3/4	11/16 - 12	40	8,5	15,0	70	50	22	36	3,06

ITEM CODE



VBSE - DIN 2353

inline single acting
pilot operated
check valve



Specifications:

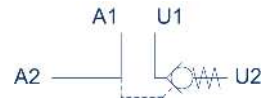
- Zinc plated steel body
- Heat treated components

Upon demand:

- Spring 0,5 bar
- Spring 8 bar

VBSE - DIN 2353

inline single acting
pilot operated
check valve



SPECIFICATIONS

DIMENSIONS	000	005	010	015	020	025	030		
MAX. PRESSURE BAR	350	350	350	350	350	300	300		
RATED FLOW lt/min	20	20	20	20	50	50	80		
PILOT RATIO	1: 4,5	1: 4,5	1: 4,5	1: 4,5	1: 4,5	1: 4,5	1: 4		
OPENING PRESSURE BAR	4	4	4	4	4	4	4		

WEIGHT AND DIMENSIONS

DIMENSIONS	A	B	A1-U1 A2-U2 GAS	A1-U1 A2-U2 NPT	A1-U1 A2-U2 SAE	D	E	F	G	L	M	CH	K	WEIGHT KG
000	138	66	1/4 10	1/4 10	-	34	7,0	7,0	40	30	13	24	88	0,65
005	138	66	3/8 10	3/8 10	-	34	7,0	7,0	40	30	13	24	88	0,63
010	138	66	1/4 12	1/4 12	-	34	7,0	7,0	40	30	13	24	88	0,68
015	138	66	3/8 12	3/8 12	3/16 - 18 1/2	34	7,0	7,0	40	30	13	24	88	0,67
020	140	76	3/8 15	3/8 15	3/4 - 16 5/8	40	8,5	15,0	50	30	16	27	106	0,98
025	140	76	1/2 15	1/2 15	7/8 - 14 5/8	40	8,5	15,0	50	30	16	27	106	0,90
030	180	77	1/2 18	1/2 18	7/8 - 14 3/4	40	8,5	15,0	60	40	20	30	133	1,65

ITEM CODE

VBSE - DIN 2353

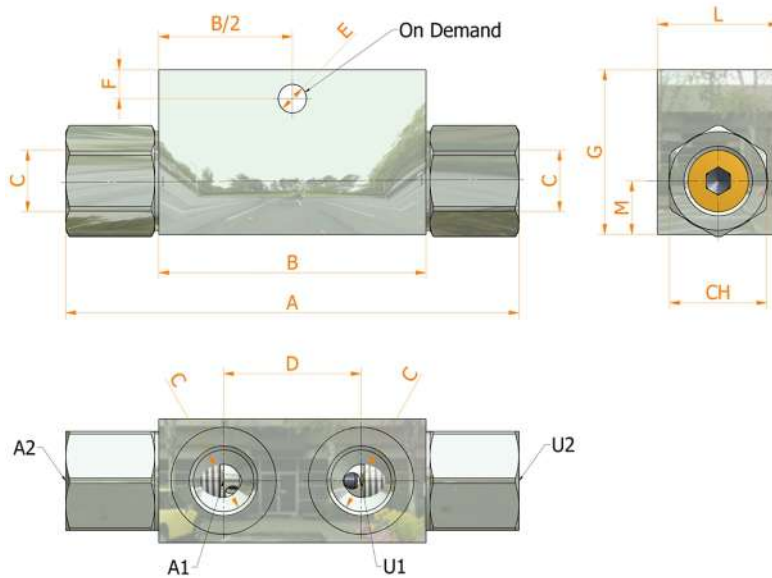
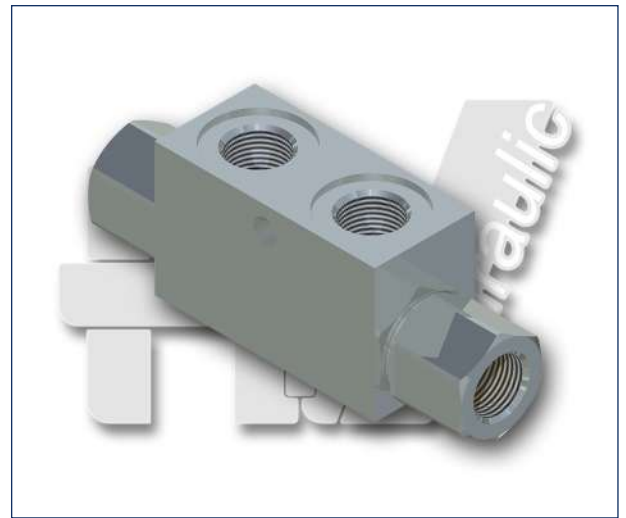
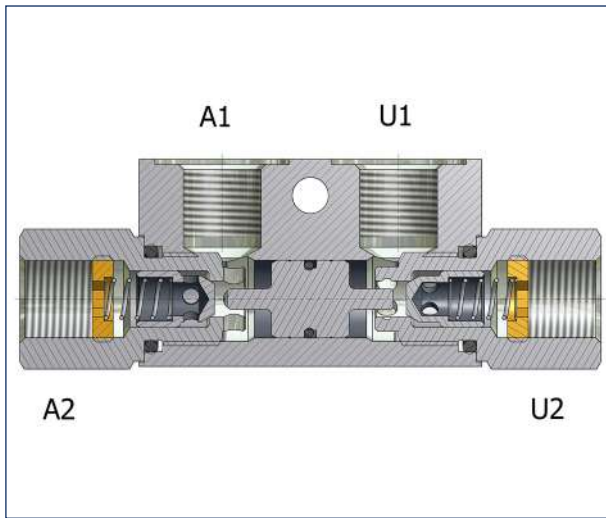
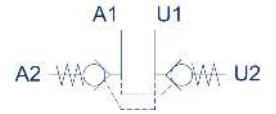
- G GAS
 - N NPT
 - S SAE
- C CONE
 - S BALL
- O WITHOUT OR
 - R WITH OR
- O WITHOUT HOLE
 - F WITH HOLE
- 1 SPRING 0,5
 - 4 SPRING 4
 - 8 SPRING 8

	A1-U1 GAS	A2-U2 --	A1-U1 NPT	A2-U2 --	A1-U1 SAE	A2-U2 INCH
000	1/4	10	1/4	10	-	-
005	3/8	10	3/8	10	-	-
010	1/4	12	1/4	12	-	-
015	3/8	12	3/8	12	9/16 - 18	1/2
020	3/8	15	3/8	15	3/4 - 16	5/8
025	1/2	15	1/2	15	7/8 - 14	5/8
030	1/2	18	1/2	18	7/8 - 14	3/4



VBDE

inline double acting
pilot operated
check valve



Specifications:

- Zinc plated steel body
- Heat treated components

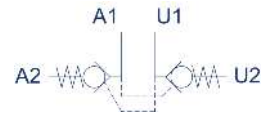
Upon demand:

- Spring 0,5 bar
- Spring 8 bar



VBDE

inline double acting
pilot operated
check valve



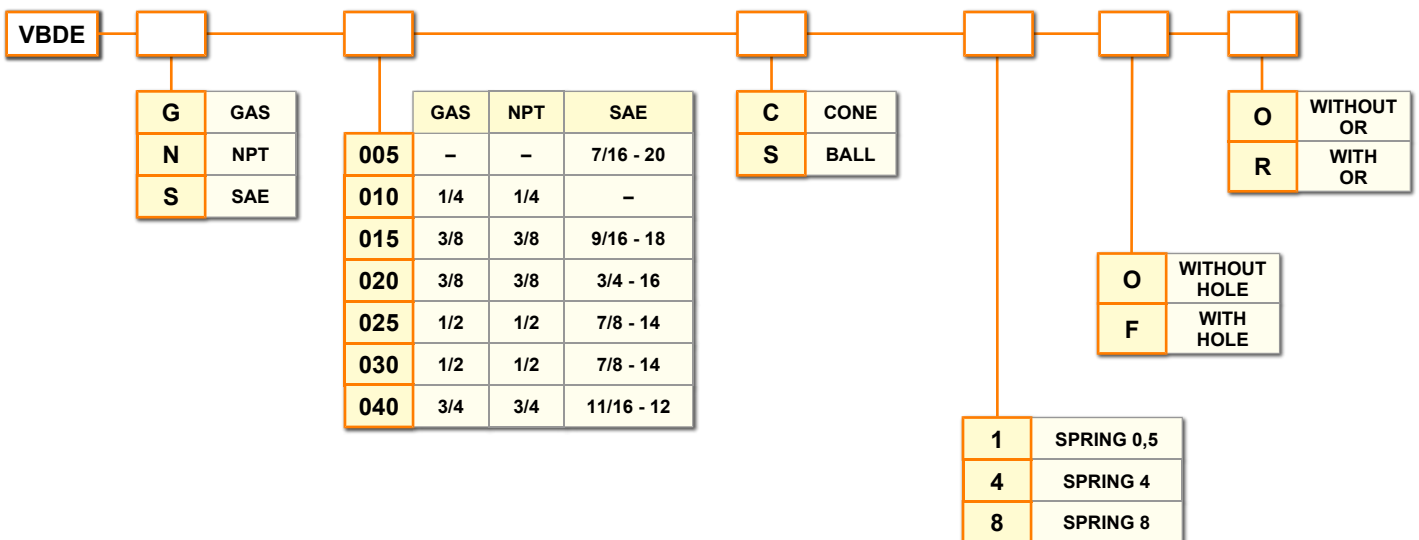
SPECIFICATIONS

DIMENSIONS	005	010	015	020	025	030	040
MAX. PRESSURE BAR	350	350	350	350	300	300	300
RATED FLOW lt/min	15	20	20	50	50	80	120
PILOT RATIO	1: 4,5	1: 4,5	1: 4,5	1: 4,5	1: 4,5	1: 4	1: 4
OPENING PRESSURE BAR	4	4	4	4	4	4	4

WEIGHT AND DIMENSIONS

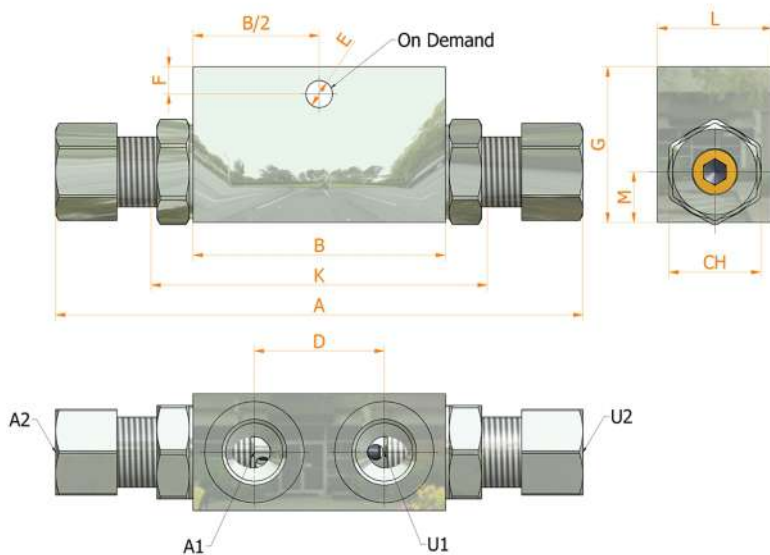
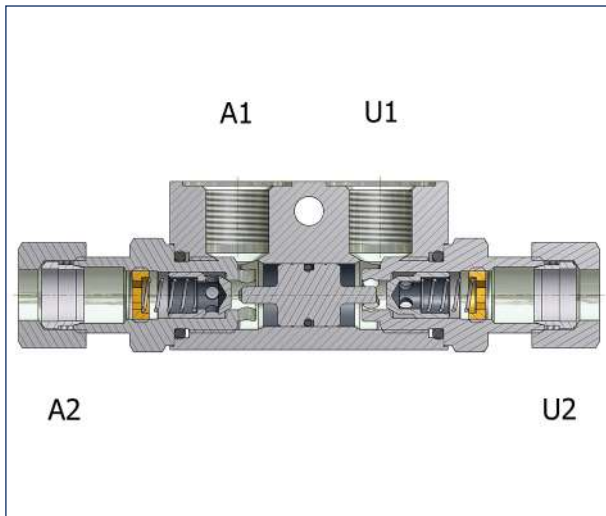
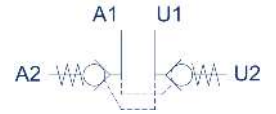
DIMENSIONS	A	B	C GAS	C NPT	C SAE	D	E	F	G	L	M	CH	WEIGHT KG
005	112	66	-	-	7/16 - 20	34	7,0	7,0	40	30	13	24	0,72
010	112	66	1/4	1/4	-	34	7,0	7,0	40	30	13	24	0,70
015	112	66	3/8	3/8	9/16 - 18	34	7,0	7,0	40	30	13	24	0,65
020	133	76	3/8	3/8	3/4 - 16	40	8,5	15,0	50	30	16	27	0,96
025	137	76	1/2	1/2	7/8 - 14	40	8,5	15,0	50	30	16	27	0,92
030	150	77	1/2	1/2	7/8 - 14	40	8,5	15,0	60	40	20	30	1,60
040	205	105	3/4	3/4	11/16 - 12	40	8,5	15,0	70	50	22	36	3,08

ITEM CODE



VBDE - DIN 2353

inline double acting
pilot operated
check valve



Specifications:

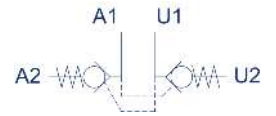
- Zinc plated steel body
- Heat treated components

Upon demand:

- Spring 0,5 bar
- Spring 8 bar

VBDE - DIN 2353

inline double acting
pilot operated
check valve



SPECIFICATIONS

DIMENSIONS	000	005	010	015	020	025	030		
MAX. PRESSURE BAR	350	350	350	350	350	300	300		
RATED FLOW lt/min	20	20	20	20	50	50	80		
PILOT RATIO	1: 4,5	1: 4,5	1: 4,5	1: 4,5	1: 4,5	1: 4,5	1: 4		
OPENING PRESSURE BAR	4	4	4	4	4	4	4		

WEIGHT AND DIMENSIONS

DIMENSIONS	A	B	A1-U1 A2-U2 GAS	A1-U1 A2-U2 NPT	A1-U1 A2-U2 SAE	D	E	F	G	L	M	CH	K	WEIGHT KG
000	138	66	1/4 10	1/4 10	-	34	7,0	7,0	40	30	13	24	88	0,66
005	138	66	3/8 10	3/8 10	-	34	7,0	7,0	40	30	13	24	88	0,65
010	138	66	1/4 12	1/4 12	-	34	7,0	7,0	40	30	13	24	88	0,68
015	138	66	3/8 12	3/8 12	3/16 - 18 1/2	34	7,0	7,0	40	30	13	24	88	0,67
020	140	76	3/8 15	3/8 15	3/4 - 16 5/8	40	8,5	15,0	50	30	16	27	106	0,98
025	140	76	1/2 15	1/2 15	7/8 - 14 5/8	40	8,5	15,0	50	30	16	27	106	0,92
030	180	77	1/2 18	1/2 18	7/8 - 14 3/4	40	8,5	15,0	60	40	20	30	133	1,68

ITEM CODE

VBDE - DIN 2353

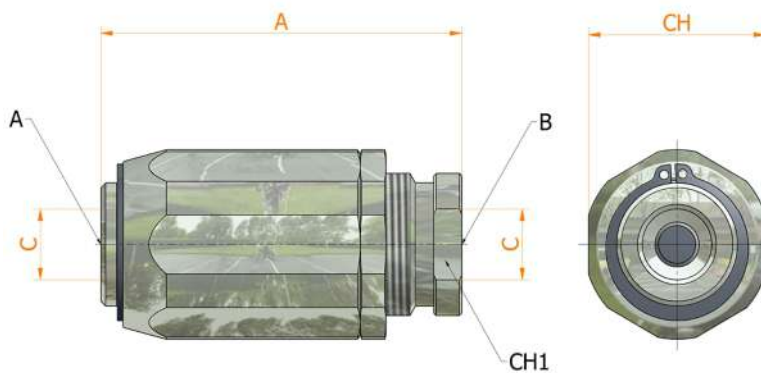
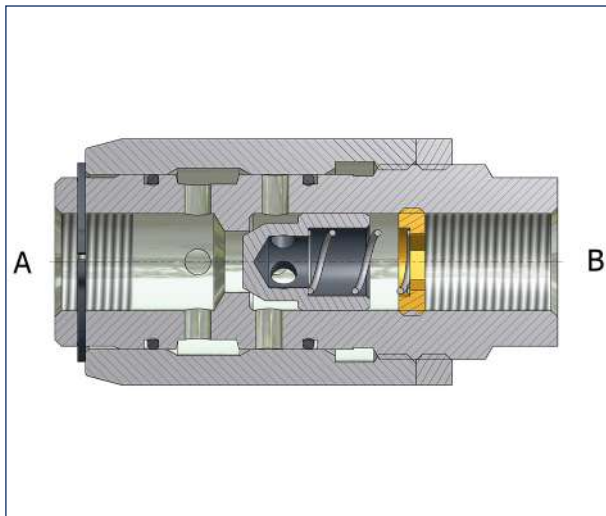
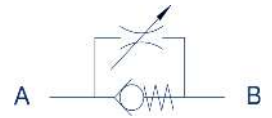
- G GAS
 - N NPT
 - S SAE
- C CONE
 - S BALL
- O WITHOUT OR
 - R WITH OR
- O WITHOUT HOLE
 - F WITH HOLE
- 1 SPRING 0,5
 - 4 SPRING 4
 - 8 SPRING 8

	A1-U1 GAS	A2-U2 --	A1-U1 NPT	A2-U2 --	A1-U1 SAE	A2-U2 INCH
000	1/4	10	1/4	10	-	-
005	3/8	10	3/8	10	-	-
010	1/4	12	1/4	12	-	-
015	3/8	12	3/8	12	9/16 - 18	1/2
020	3/8	15	3/8	15	3/4 - 16	5/8
025	1/2	15	1/2	15	7/8 - 14	5/8
030	1/2	18	1/2	18	7/8 - 14	3/4



VRFU

oneway
flow control valve
in line



Specifications:

- Zinc plated steel body
- Heat treated components
- Low leakage

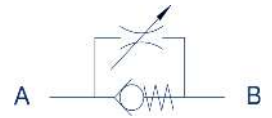
Upon demand:

- Spring 4 bar
- Spring 8 bar



VRFU

oneway
flow control valve
in line



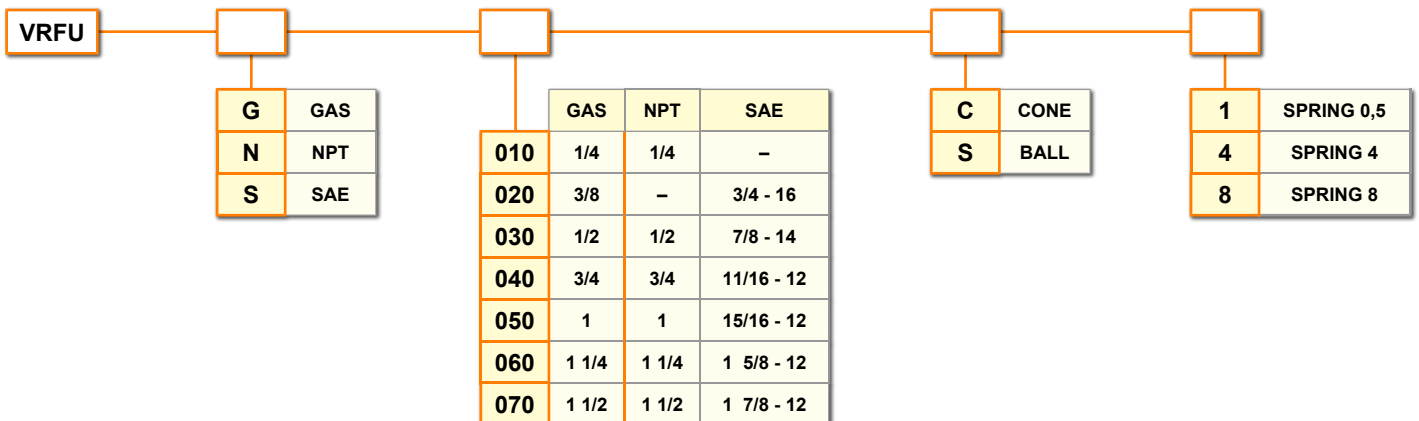
SPECIFICATIONS

DIMENSIONS	010	020	030	040	050	060	070		
MAX DISPLACEMENT (from B to A) Lt/min	25	45	70	110	160	210	280		
MAX DISPLACEMENT (from A to B) Lt/min	15	30	45	80	110	150	210		
OPENING RATIO BAR	0,5	0,5	0,5	0,5	0,5	0,5	0,5		
MAX. PRESSURE BAR	350	350	350	300	250	230	230		

WEIGHT AND DIMENSIONS

DIMENSIONS	A	C GAS	C NPT	C SAE	CH	CH 1	WEIGHT KG
010	66	1/4	1/4	-	32	22	0,28
020	78	3/8	3/8	3/4 - 16	38	26	0,46
030	83	1/2	1/2	7/8 - 14	41	30	0,57
040	104	3/4	3/4	1 1/16 - 12	55	38	1,32
050	118	1	1	1 5/16 - 12	65	46	2,13
060	135	1 1/4	1 1/4	1 7/8 - 12	80	55	3,28
070	150	1 1/2	1 1/2	1 7/8 - 12	90	60	4,75

ITEM CODE





HV Hydraulic S.r.l.

Via dell'Agricoltura, 162
Loc. Castello di Serravalle
40053 Valsamoggia (BO) Italy
Tel. +39 051 670.50.11 - Fax +39 051 670.53.74
www.hvhydraulic.com - info@hvhydraulic.com