

LYNKOBLINGER - QUICK COUPLINGS

A

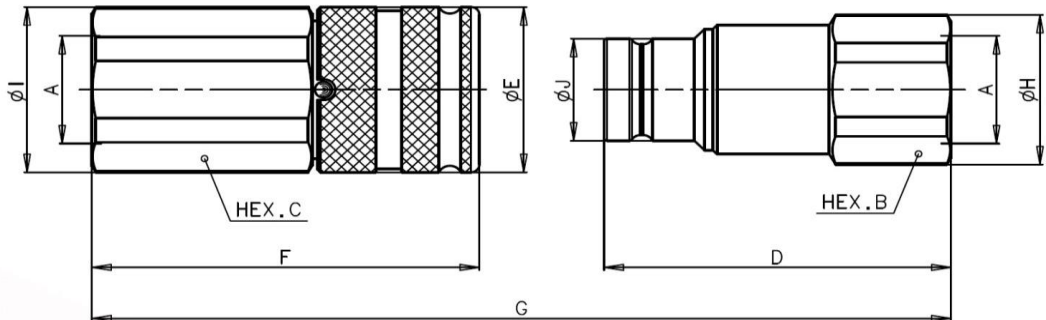
LYNKOBLING "A" - ISO 16028

QUICK COUPLING "A" - ISO 16028



Hun - Female

Han - Male



Varenr. / Code		Betegnelse	A	mm										Vægt / Weight (kg)	
Hun / Female	Han / Male	Description		B	C	D	E	F	G	H	I	J	Male	Female	
801300002ST	801300003ST	A4 1/8 BSP	1/8"	17	19	36.3	20	40	68.4	18.5	20.5	11.6	0.04	0.07	
801300004ST	801300031ST	A7 1/4 BSP	1/4"	22	27	47.9	28	53.1	90.2	23.8	29	16.1	0.09	0.19	
801300006ST	801300005ST	A9 3/8 BSP	3/8"	27	30	60	32	64.8	108.8	29	32	19.7	0.15	0.27	
801300008ST	801300007ST	A9 1/2 BSP	1/2"	27	30	62.5	32	69.8	116.3	29	32	19.7	0.14	0.28	
801300014ST	801300013ST	A13 1/2 BSP	1/2"	36	36	68	38	76.8	127.5	40	40	24.5	0.24	0.45	
801300016ST	801300015ST	A13 3/4 BSP	3/4"	36	36	70.5	38	83.8	137	40	40	24.5	0.28	0.46	
801300022ST	801300021ST	A15 3/4 BSP	3/4"	36	41	73	42	84	139.4	38.5	44.8	27	0.30	0.63	
801300034ST	801300035ST	A15 1 BSP	1"	41	41	76	42	87	145.4	44.8	44.8	27	0.33	0.60	
801300040ST	801300041ST	A17 3/4 BSP	3/4"	46	46	83.7	48	96.8	158.5	49.8	49.8	30	0.53	0.97	
801300000ST	801300001ST	A17 1 BSP	1"	46	46	83.7	48	98.8	160.5	49.8	49.8	30	0.48	0.94	
801300048ST	801300049ST	A21 3/4 BSP	3/4"	55	55	98.2	55	102.8	178	59.8	59.8	36	0.97	1.44	
801300050ST	801300051ST	A21 1 BSP	1"	55	55	96.8	55	104.8	178.6	59.8	59.8	36	0.89	1.42	
801300024ST	801300023ST	A21 1-1/4 BSP	1 1/4"	55	55	90	55	105.8	172.8	59.8	59.8	36	0.71	1.31	
801300028ST	801300027ST	A21 1-1/2 BSP	1 1/2"	60	60	95	55	110.8	182.8	64.8	64.8	36	0.80	1.40	
801300046ST	801300047ST	A25 1 BSP	1"	55	55	100	65	120.1	196.8	59.8	65	44	1.13	2.09	
801300052ST	801300053ST	A25 1-1/4 BSP	1 1/4"	55	55	105	65	125.1	206.8	59.8	65	44	1.09	2.07	
801300036ST	801300037ST	A30 1-1/4 BSP	1 1/4"	65	65	111.1	80	132.4	214.9	82	69.8	57	1.75	3.25	
801300026ST	801300025ST	A30 1-1/2 BSP	1 1/2"	65	65	111.1	80	132.4	214.9	69.8	82	57	1.67	3.14	
801300038ST	801300039ST	A30 2 BSP	2"	75	75	119	80	138	228.4	82	82	57	1.93	3.33	

Standard tætninger - Standard seals: NBR (Nitrile)

Arbejdstemperatur - Working temperature: -20 °C til/to 100 °C

På forespørgsel - On request: Viton pakninger - Viton seals

Description	Size Inch	ISO Size mm	Rated flow		Max. Flow		Connect force		Disconnect force		Spillage * ml
			l/min	GPM	l/min	GPM	N	lbf	N	lbf	
A4	1/8	-	3	0.80	6	1.59	120	27.00	25	5.63	0.001
A7	1/4	6.3	12	3.18	24	6.36	150	33.75	45	10.13	0.006
A9	3/8	10.0	23	6.10	46	12.19	170	38.25	40	9.00	0.012
A13	1/2	12.5	45	11.93	90	23.85	190	42.75	50	11.25	0.020
A15	5/8	16.0	74	19.61	148	39.22	190	42.75	55	12.38	0.026
A17	3/4	19.0	100	26.50	200	53.00	220	49.50	70	15.75	0.032
A21	1	25.0	189	50.09	378	100.17	250	56.25	75	16.88	0.035
A25	1-1/4	-	225	59.63	450	119.25	350	78.75	90	20.25	0.170
A30	1-1/2	-	288	76.32	750	198.75	390	87.75	70	15.75	0.050

Description	Size Inch	Max. operating pressure						Burst pressure					
		Coupled		Male		Female		Coupled		Male		Female	
		MPa	psi	MPa	psi	MPa	psi	MPa	psi	MPa	psi	MPa	psi
A4	1/8	42	6090	42	6090	42	6090	126	18270	126	18270	126	18270
A7	1/4	42	6090	42	6090	42	6090	126	18270	126	18270	126	18270
A9	3/8	35	5075	35	5075	35	5075	100	14500	100	14500	100	14500
A13	1/2	33	4785	33	4785	33	4785	100	14500	100	14500	100	14500
A15	5/8	33	4785	33	4785	33	4785	100	14500	100	14500	100	14500
A17	3/4	33	4785	33	4785	33	4785	100	14500	100	14500	100	14500
A21	1	30	4350	30	4350	30	4350	80	11600	80	11600	80	11600
A25	1-1/4	30	4350	30	4350	30	4350	80	11600	80	11600	80	11600
A30	1-1/2	27	3915	27	3915	27	3915	80	11600	80	11600	70	10150

* Spillage is an indicative value of the fluid loss per couple-uncouple cycle.

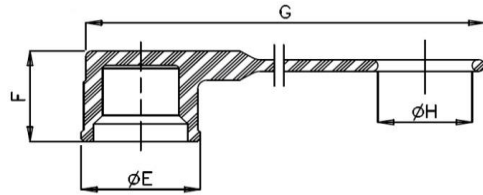
Temperature range:

- Standard seals NBR (Nitrile): from -20 °C to +100 °C (from -4 °F to +212 °F).

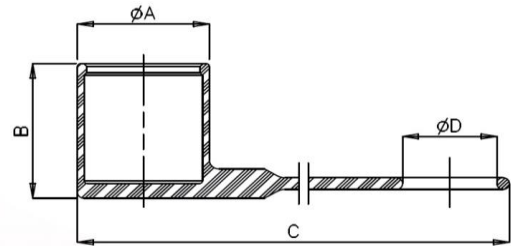
- VITON seals: from -15 °C to +180 °C (from +5 °F to +356 °F).



For "A" Han - Male

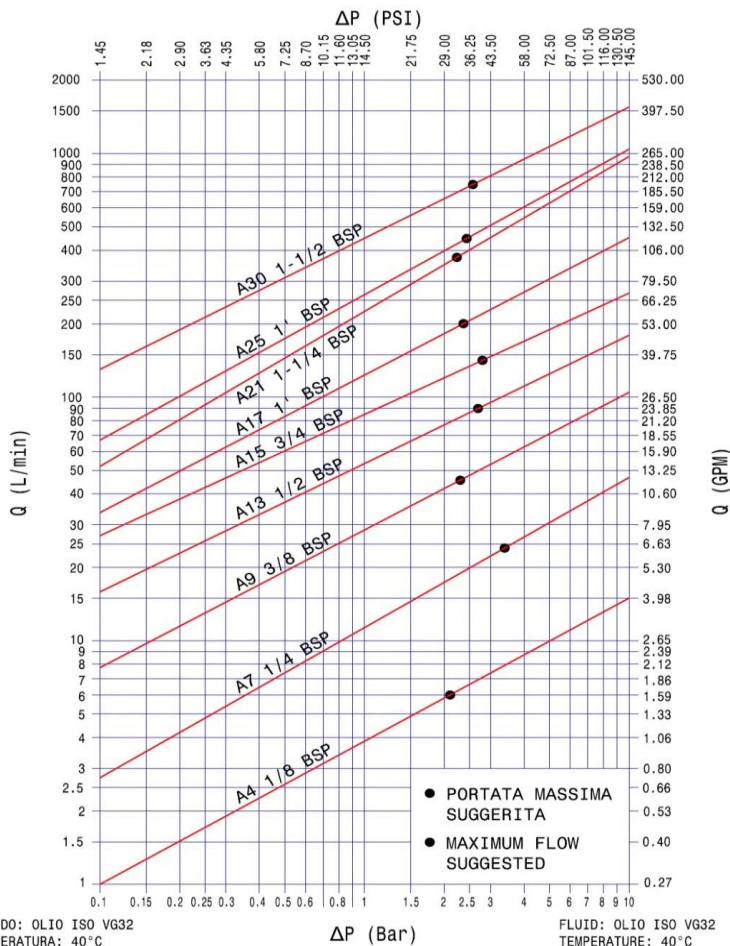


For "A" Hun - Female

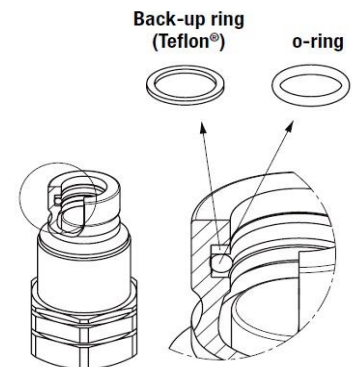


Varenr. Code	Betegnelse Description	Passer til Kobling/ Fits coupling	mm								Farve Colour	Vægt Weight	
			A	B	C	D	E	F	G	H			
81510000ST	P-7B	80130004ST	32	38	239	20						Rød	0.02
815100023ST	D-7	801300031ST					28	23	230	20		Rød	0.01
815100002ST	P-9D	801300006ST	36	43	247	25						Rød	0.02
815100027ST	D-9L	801300005ST					32	28	235	25		Rød	0.02
815100002ST	P-9D	801300008ST	36	43	247	25						Rød	0.02
815100027ST	D-9L	801300007ST					32	28	235	25		Rød	0.02
815100006ST	P-13F	801300014ST	42	46	259	30						Rød	0.03
815100031ST	D-13L	801300013ST					38	31.5	248	30		Rød	0.02
815100006ST	P-13F	801300016ST	42	46	259	30						Rød	0.03
815100031ST	D-13L	801300015ST					38	31.5	248	30		Rød	0.02
815100008ST	P-15F	801300022ST	46	50	265	30						Rød	0.04
815100011ST	D-15F	801300021ST					42	28	256	30		Rød	0.04
815100010ST	P-17G	801300040ST 801300000ST	52	62	318	35						Rød	0.06
815100013ST	D-17G	801300041ST 801300001ST					48	35	310	35		Rød	0.06
815100012ST	P-21H	801300024ST	60	68	335	45						Rød	0.08
815100015ST	D-21H	801300023ST					55	38.5	324	45		Rød	0.08

TEST ESEGUITI IN CONFORMITA' A ISO 7241-2
TEST IN ACCORDANCE WITH ISO 7241-2



SEAL KIT FOR "A" HAN
SEAL KIT FOR "A" MALE



Varenr. Code	Size	Betegnelse Description
815700519ST	1/4"	M A7
815700337ST	3/8"	M A9
815700339ST	1/2"	M A13
815700341ST	5/8"	M A15
815700343ST	3/4"	M A17
815700345ST	1"	M A21
815700693ST	1 1/4"	M A25
815700521ST	1 1/2"	M A30